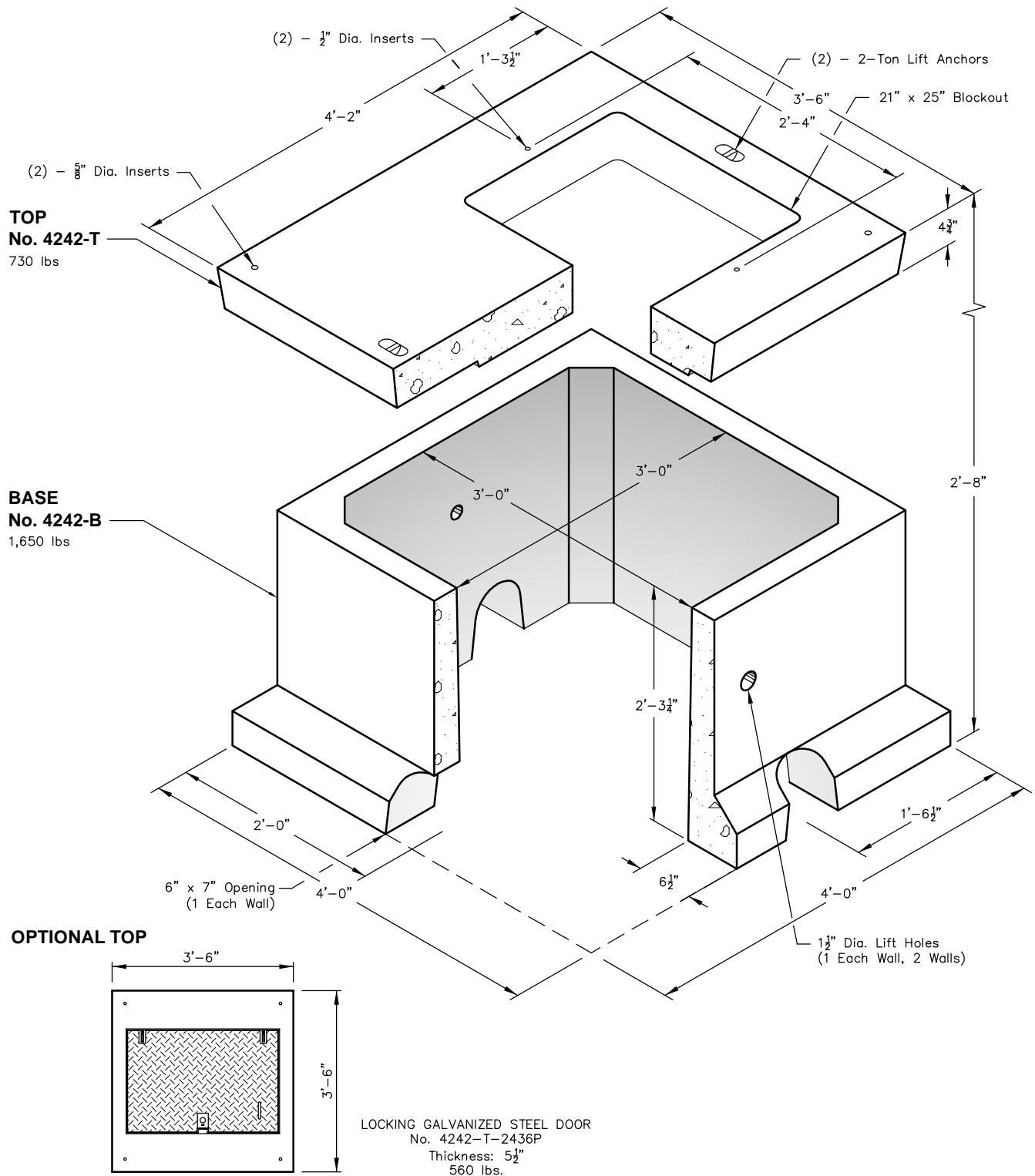



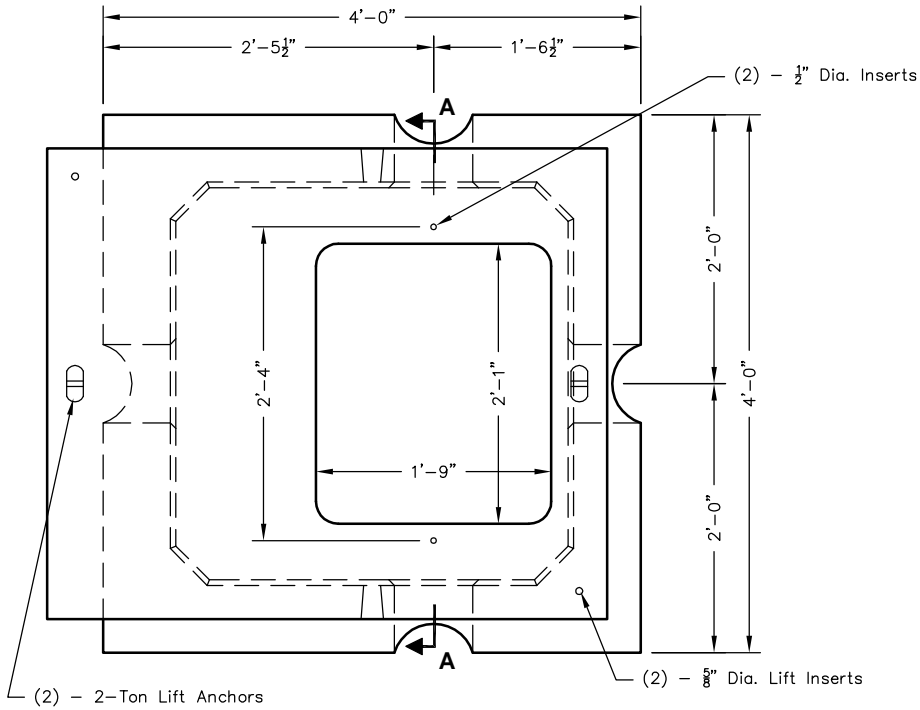
4242-LA



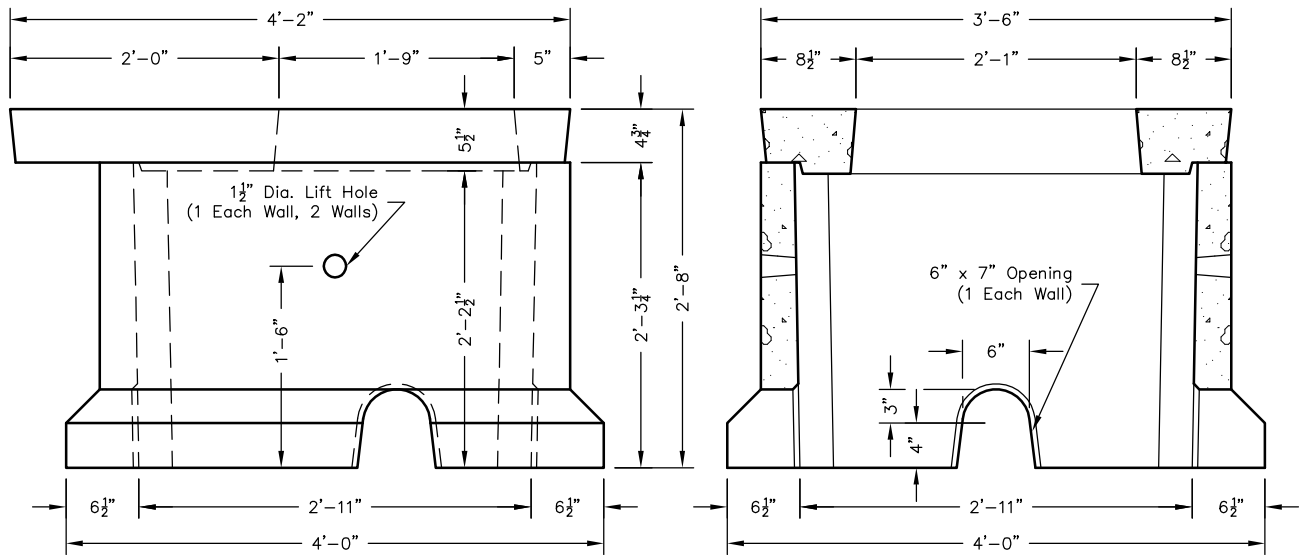
Note: Designed for 0 to 5'-0" of Cover

 Oldcastle Precast® PO Box 323, Wilsonville, Oregon 97070-0323 Tel: (503) 682-2844 Fax: (503) 682-2657	4242-LA	4242-LA 36 x 36 POWER / WATER / GAS
	File Name: 020-4242LA	
	Issue Date: 2016	
	oldcastleprecast.com/wilsonville	

4242-LA



PLAN VIEW



SIDE VIEW

SECTION AA



PO Box 323, Wilsonville, Oregon 97070-0323
 Tel: (503) 682-2844 Fax: (503) 682-2657

4242-LA

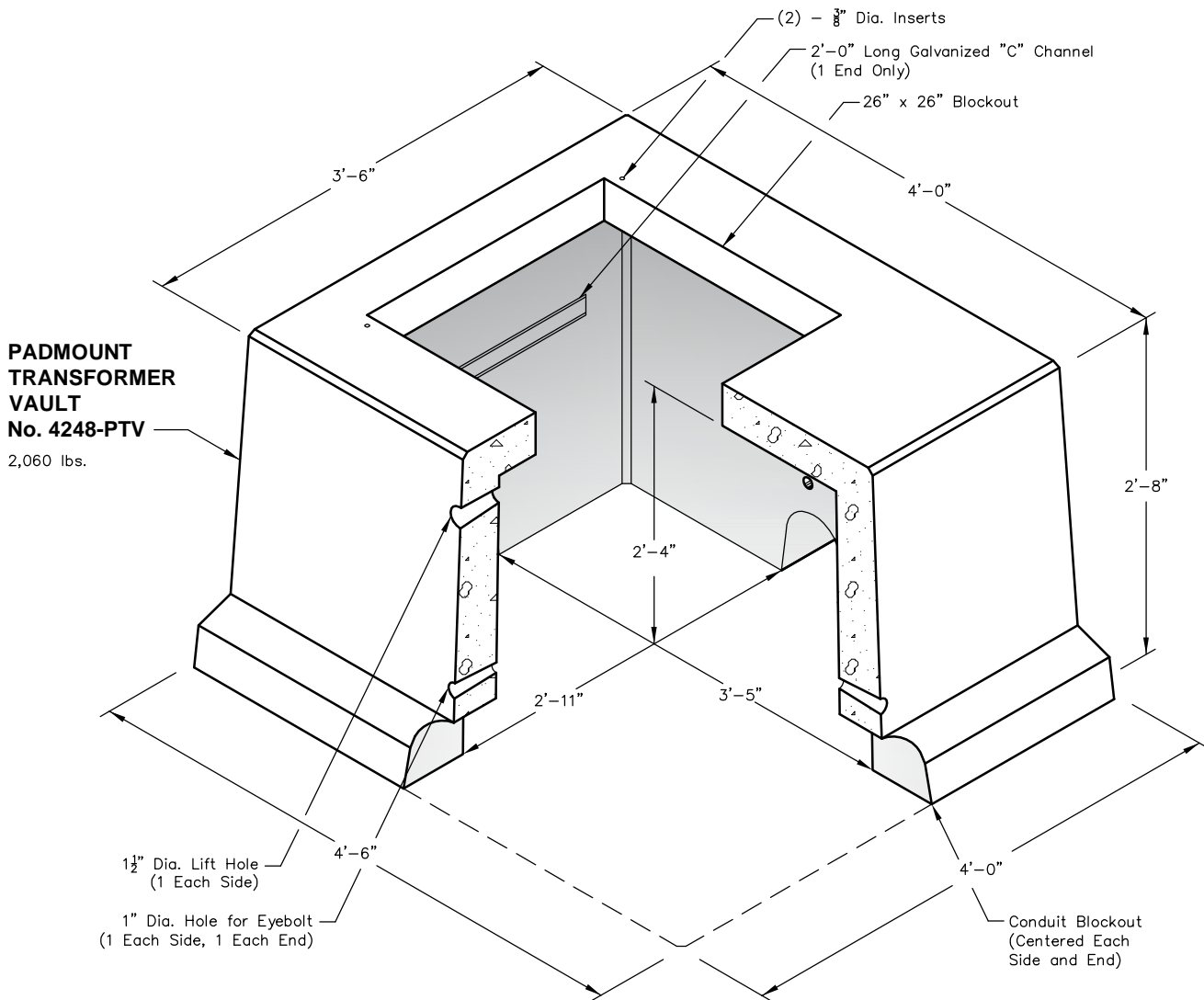
File Name: 020-4242LA

Issue Date: 2016


oldcastleprecast.com/wilsonville

4242-LA
36 x 36
POWER / WATER / GAS

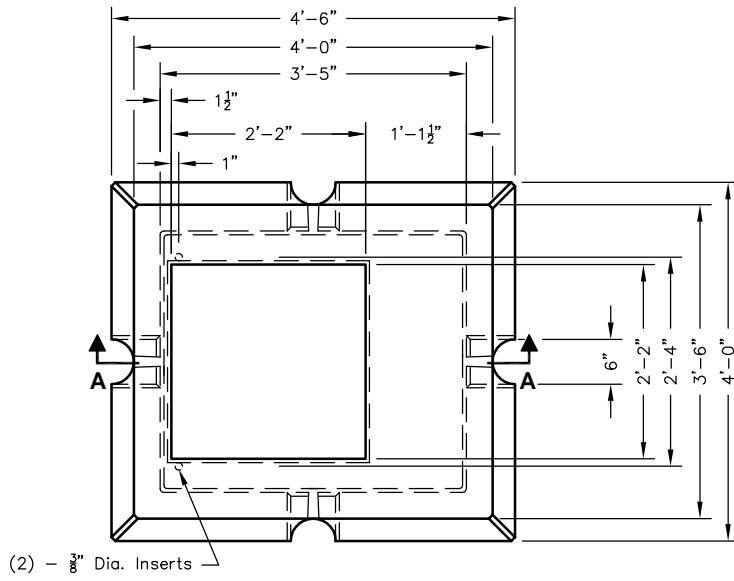
4248-PTV



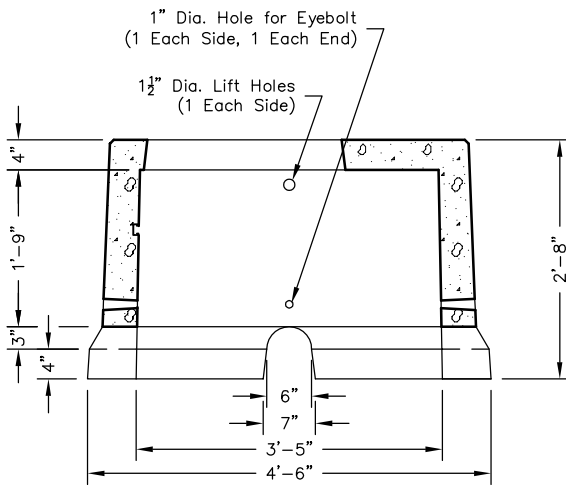
Note: Designed for 0 to 5'-0" of Cover

 Oldcastle Precast® PO Box 323, Wilsonville, Oregon 97070-0323 Tel: (503) 682-2844 Fax: (503) 682-2657	4248-PTV	4248-PTV 36 x 42 POWER / WATER / GAS
	File Name: 020-4248PTV	
	Issue Date: 2016	
	oldcastleprecast.com/wilsonville	

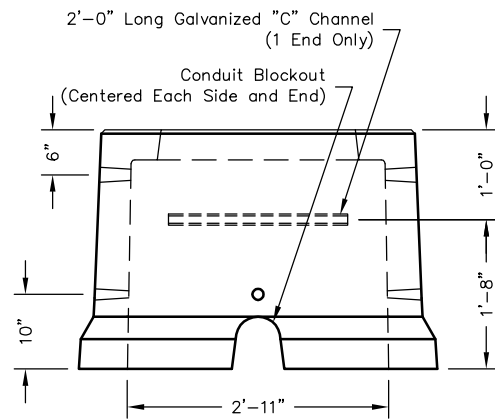
4248-PTV



PLAN VIEW



SECTION AA



END VIEW



PO Box 323, Wilsonville, Oregon 97070-0323
Tel: (503) 682-2844 Fax: (503) 682-2657

4248-PTV

File Name: 020-4248PTV

Issue Date: 2016

oldcastleprecast.com/wilsonville

4248-PTV
36 x 42
POWER / WATER / GAS