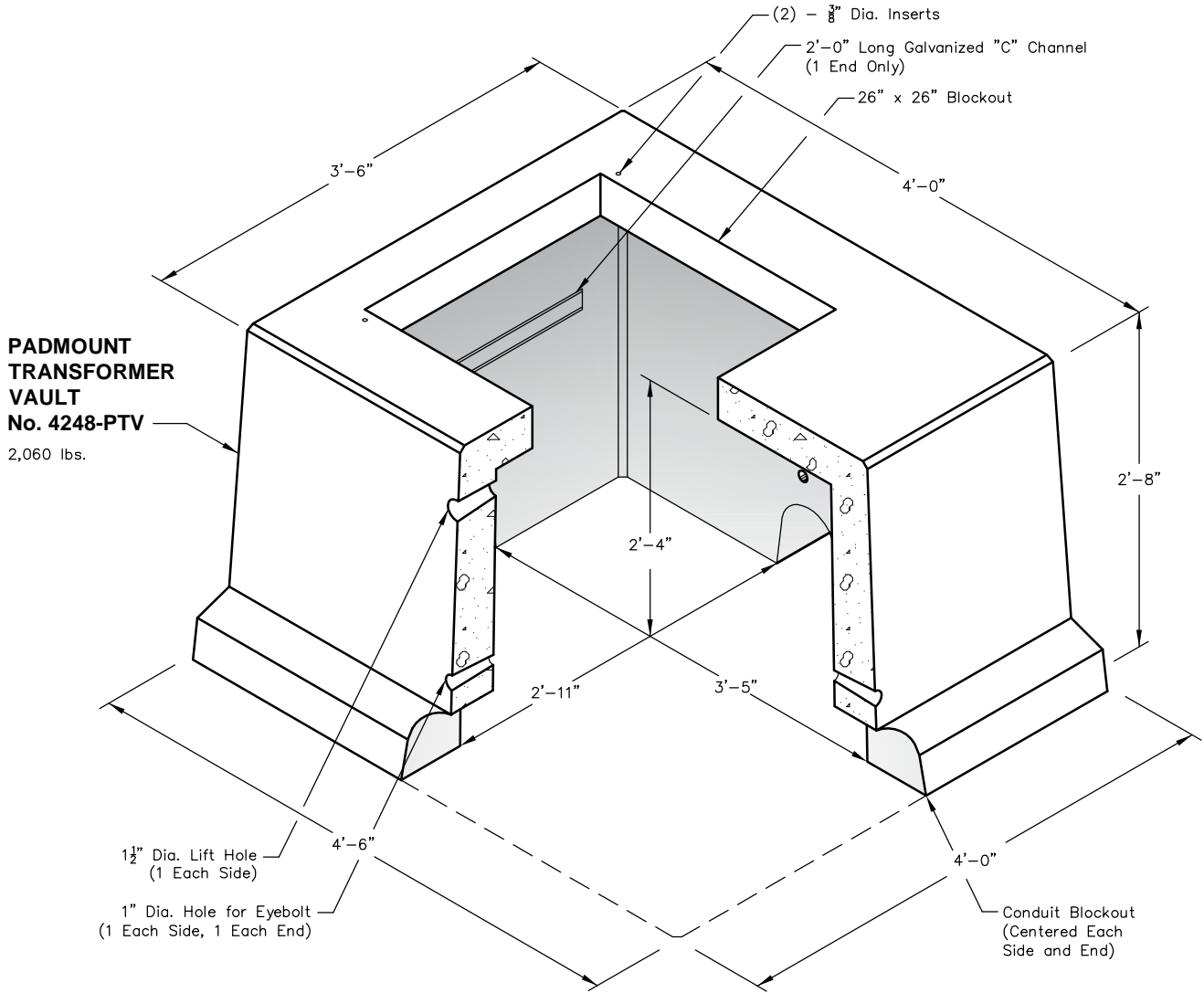



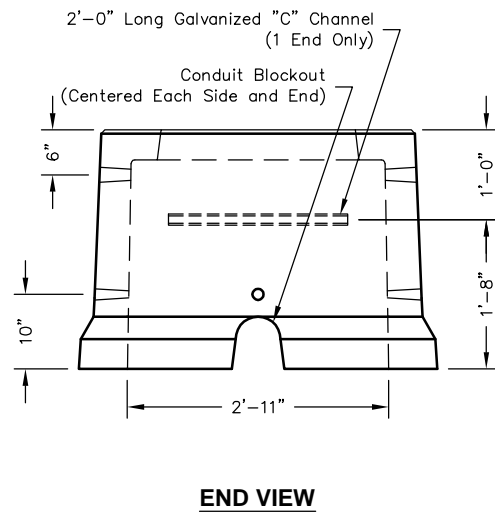
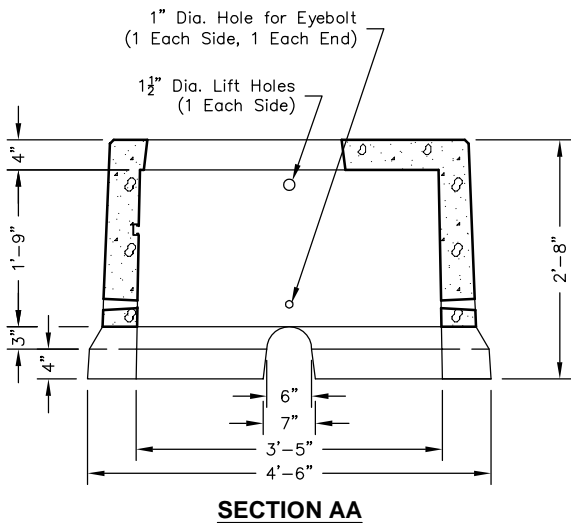
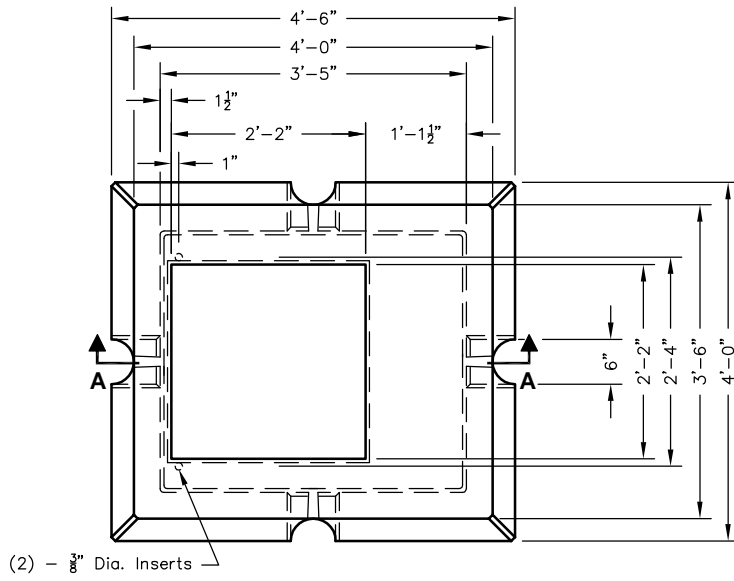
4248-PTV




Note: Designed for 0 to 5'-0" of Cover

 PO Box 323, Wilsonville, Oregon 97070-0323 Tel: (503) 682-2844 Fax: (503) 682-2657	4248-PTV	4248-PTV 36 x 42 POWER / WATER / GAS
	File Name: 020-4248PTV	
	Issue Date: 2016	
	oldcastleprecast.com/wilsonville	

4248-PTV



 Oldcastle Precast® PO Box 323, Wilsonville, Oregon 97070-0323 Tel: (503) 682-2844 Fax: (503) 682-2657	4248-PTV	4248-PTV 36 x 42 POWER / WATER / GAS
	File Name: 020-4248PTV	
	Issue Date: 2016	
	oldcastleprecast.com/wilsonville	