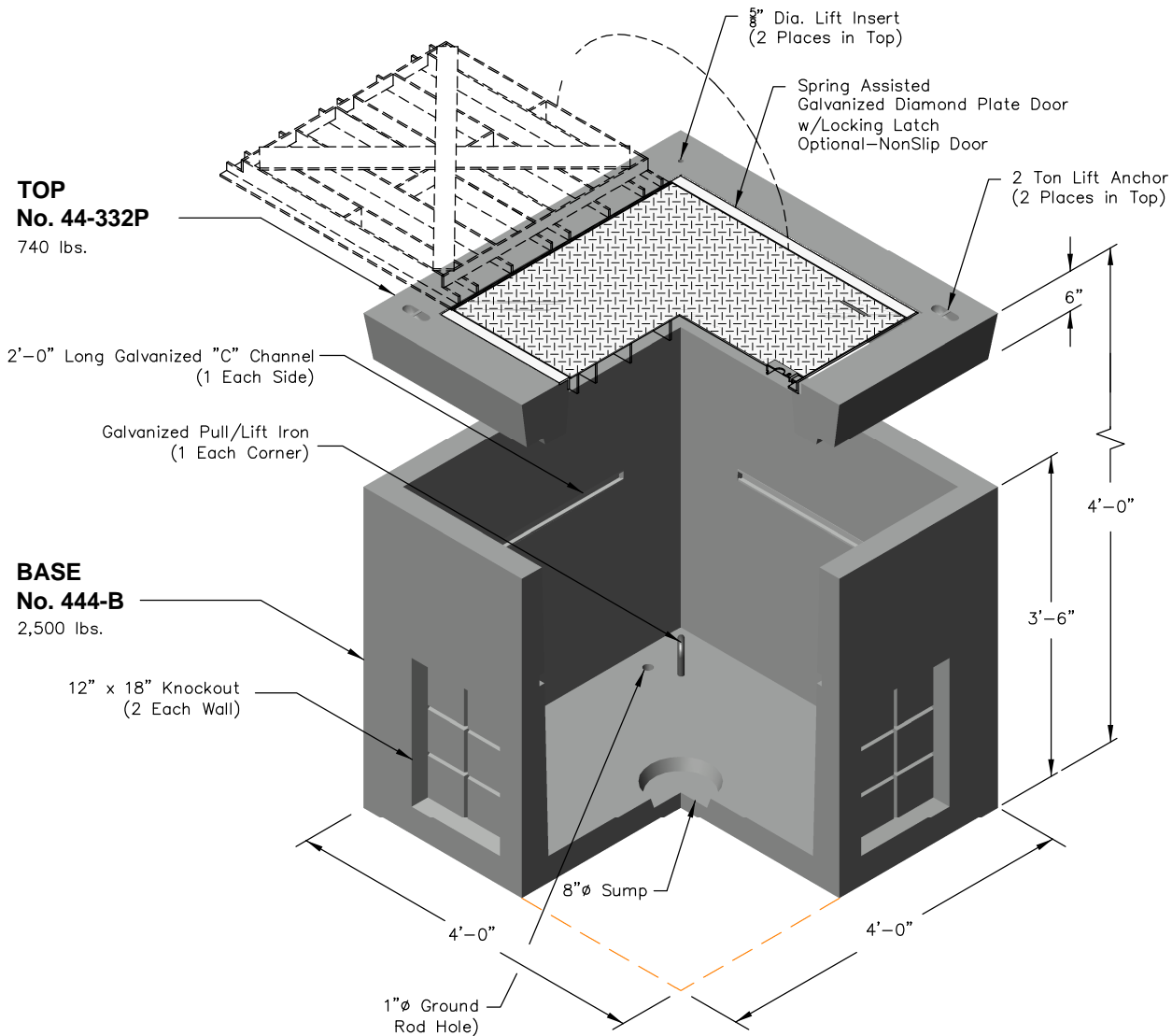
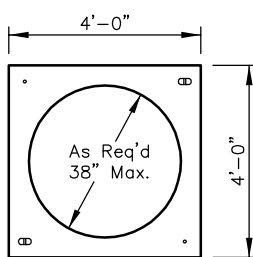


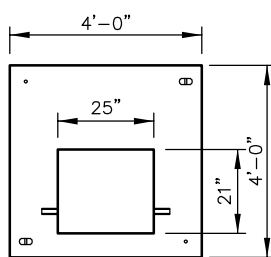
444-LA



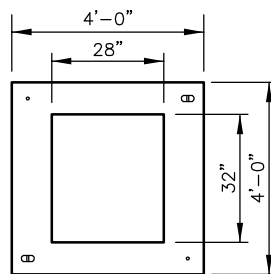
OPTIONAL TOPS



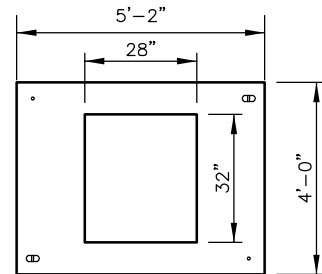
ROUND ACCESS
No. 44-38C (Shown)
660 lbs.



PADMOUNT
No. 44-2125
940 lbs.




PADMOUNT
No. 44-2832
730 lbs.

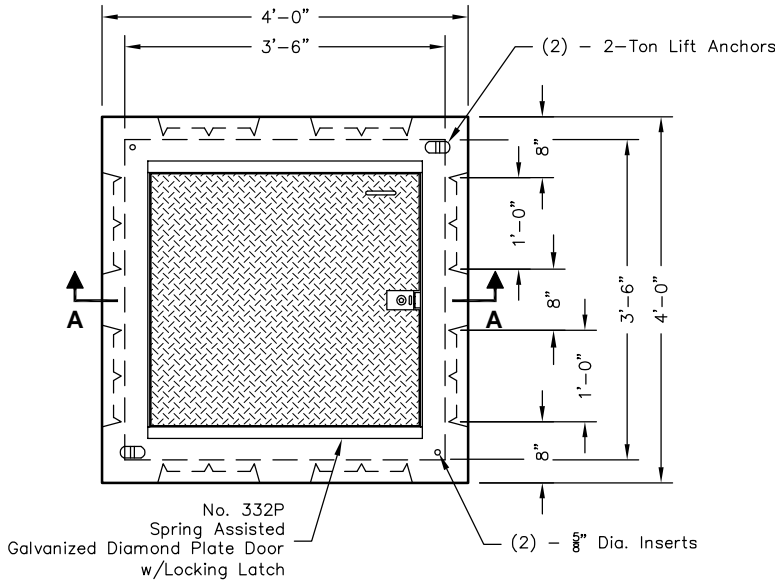


PADMOUNT
No. 45-2832
1,080 lbs.

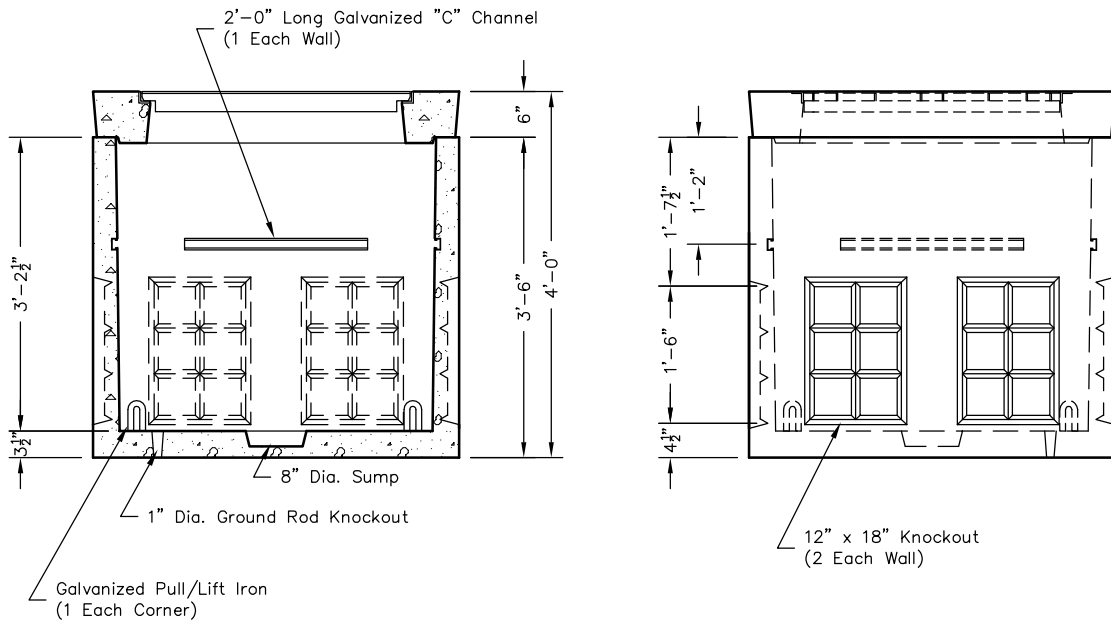
Note: Designed for 0 to 5'-0" of Cover

 PO Box 323, Wilsonville, Oregon 97070-0323 Tel: (503) 682-2844 Fax: (503) 682-2657	444-LA	444-LA 3 x 3 x 3 POWER / WATER / GAS
	File Name: 020-444LA	
	Issue Date: 2018	
	oldcastleprecast.com/wilsonville	

444-LA




PLAN VIEW



SECTION AA

SIDE VIEW

 <p>PO Box 323, Wilsonville, Oregon 97070-0323 Tel: (503) 682-2844 Fax: (503) 682-2657</p>	<h2>444-LA</h2>	<h2>444-LA</h2> <h3>3 x 3 x 3</h3> <h2>POWER / WATER / GAS</h2>
	File Name: 020-444LA	
	Issue Date: 2018	
	oldcastleprecast.com/wilsonville	