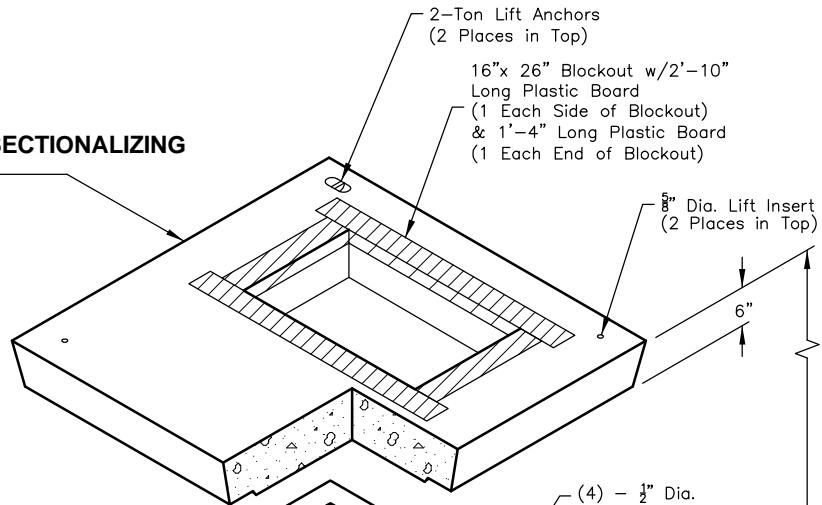


444-TRANS-SECT-PCORP

4 x 4, Single Phase Transformer / Sectionalizing Padvault, Stock Item 7999607

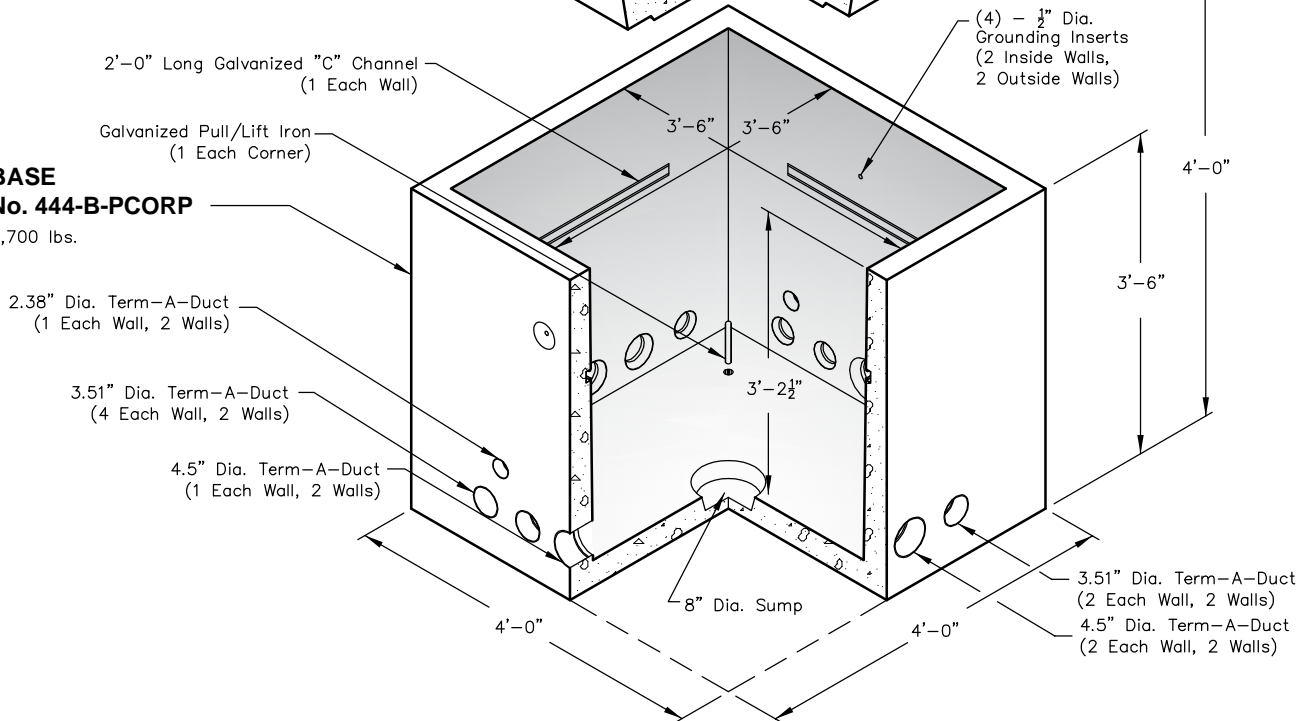
TOP
SINGLE PHASE TRANSFORMER / SECTIONALIZING
No. 444-1626-PCORP

PCORP #7999607
 1,040 lbs.




BASE
No. 444-B-PCORP

2,700 lbs.

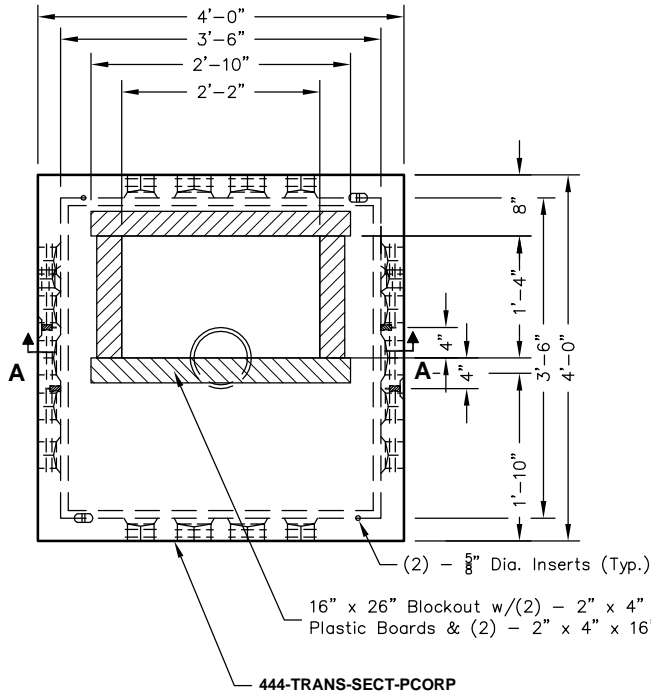


Note: Designed for 0 to 5'-0" of Cover

PCORP ZG501 6-13-13

 PO Box 323, Wilsonville, Oregon 97070-0323 Tel: (503) 682-2844 Fax: (503) 682-2657	444-TRANS-SECT-PCORP	444-TRANS-SECT-PCORP 4 x 4 PACIFICORP
	File Name: 020-444PCORP	
	Issue Date: 2018	
	oldcastleprecast.com/wilsonville	

444-TRANS-SECT-PCORP

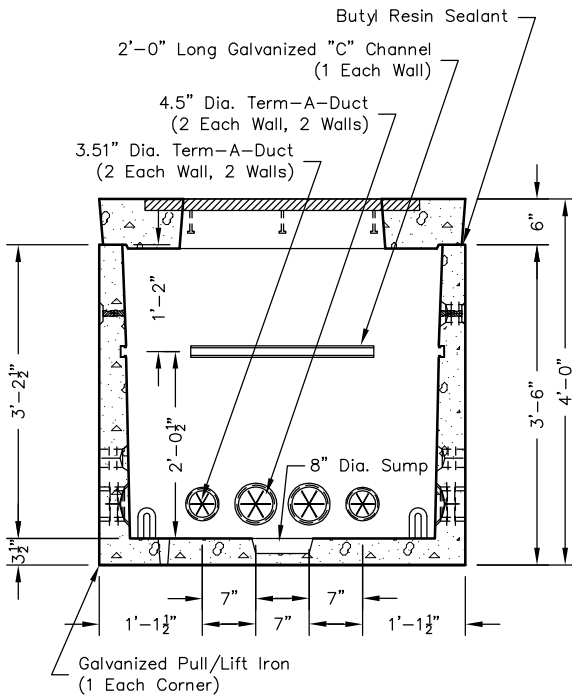


CABINET
HOLD-DOWN CLEAT
(4) - REQUIRED

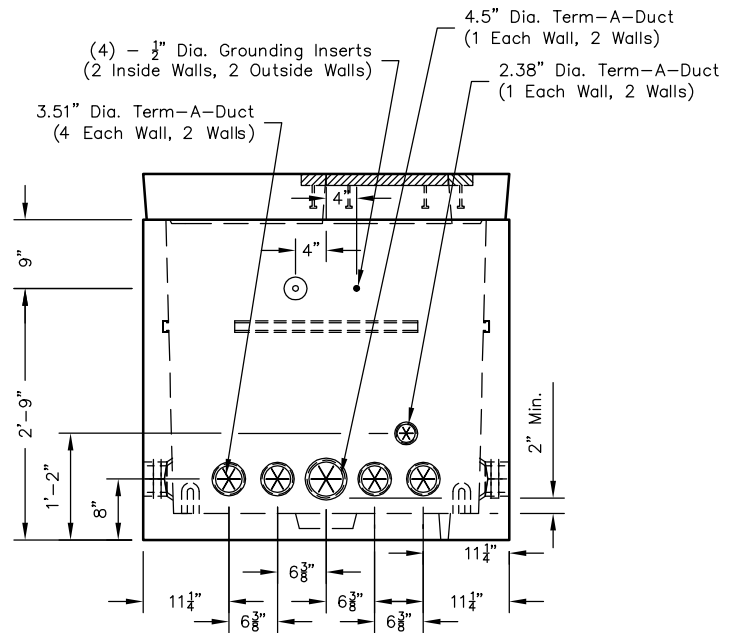
- 1 1/4" x 2 1/2" Stainless Steel Hold-Down Cleat
- 1/2" x 2" Galvanized Lag Screw
- 1/2" Stainless Steel Bellville Washer

PLAN VIEW

No. 44-1626-PCORP (SINGLE PHASE TRANSFORMER / SECTIONALIZING TOP)
PCORP #7999607



SECTION AA



END VIEW

PCORP ZG501 6-13-13



PO Box 323, Wilsonville, Oregon 97070-0323
Tel: (503) 682-2844 Fax: (503) 682-2657

444-TRANS-SECT-PCORP

File Name: 020-444PCORP

Issue Date: 2018

oldcastleprecast.com/wilsonville

444-TRANS-SECT-PCORP

4 x 4
PACIFICORP