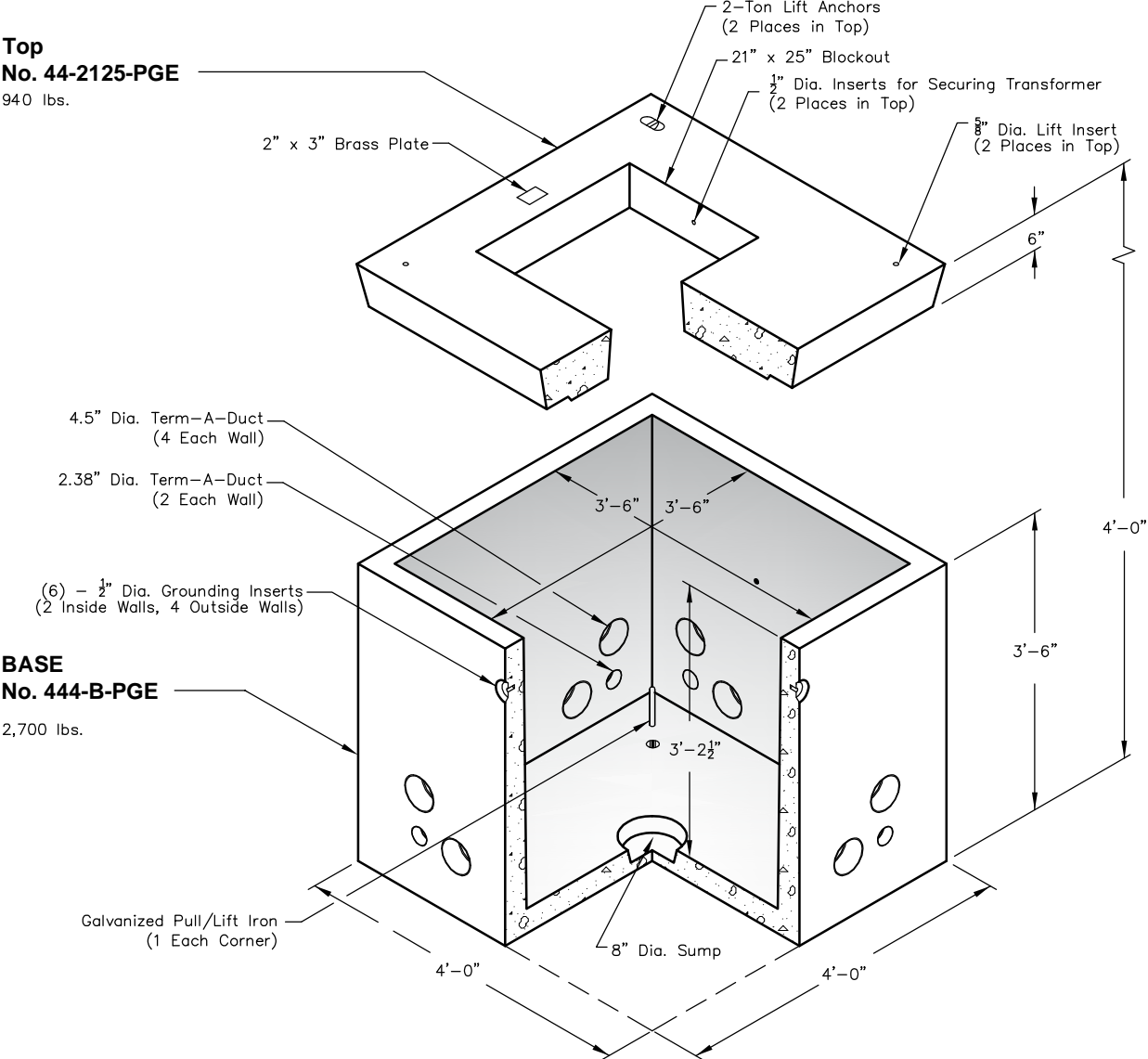



## Single Phase Padmount Transformer Vault - 25 & 50 kVA

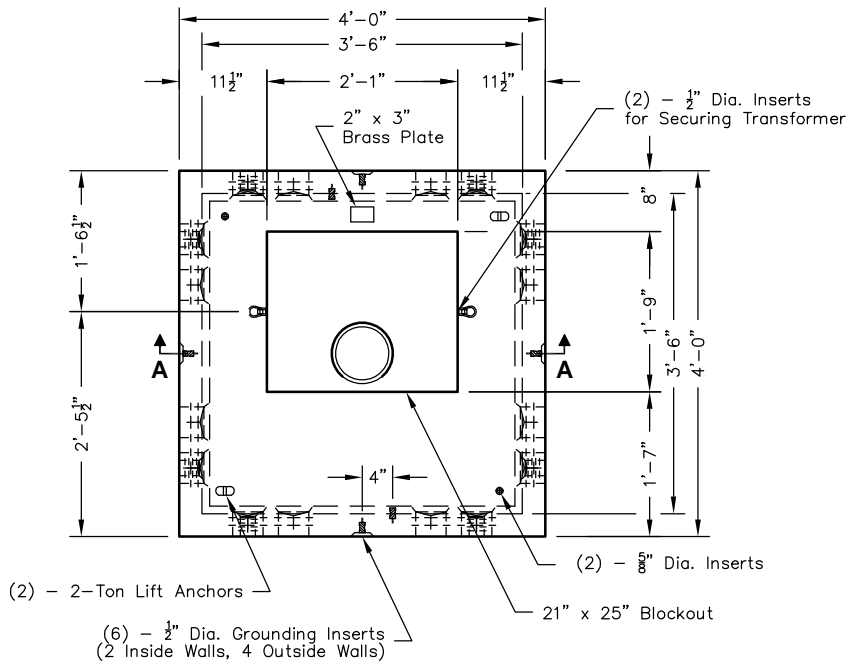


Note: Designed for 0 to 5'-0" of Cover

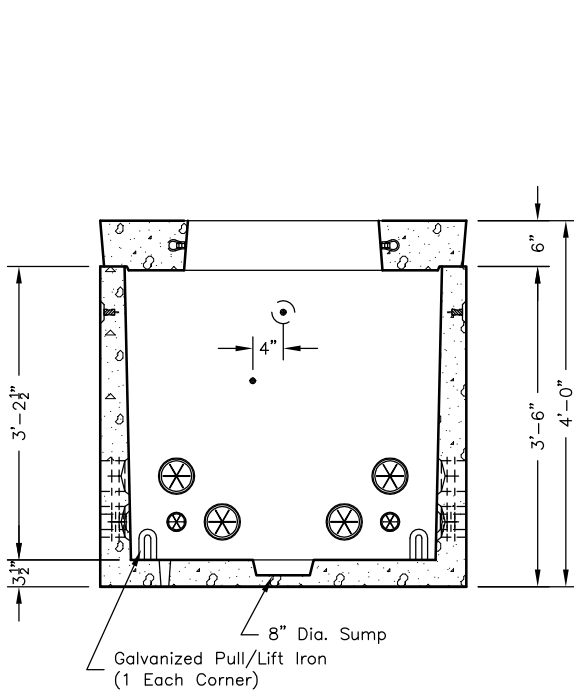
PGE L26100 1-5-12

 PO Box 323, Wilsonville, Oregon 97070-0323 Tel: (503) 682-2844 Fax: (503) 682-2657	<b>444-PGE</b>	<b>444-PGE</b> <b>48 x 48 x 48</b>
	File Name: 020-444PGE	
	Issue Date: 2018	
	<a href="http://oldcastleprecast.com/wilsonville">oldcastleprecast.com/wilsonville</a>	

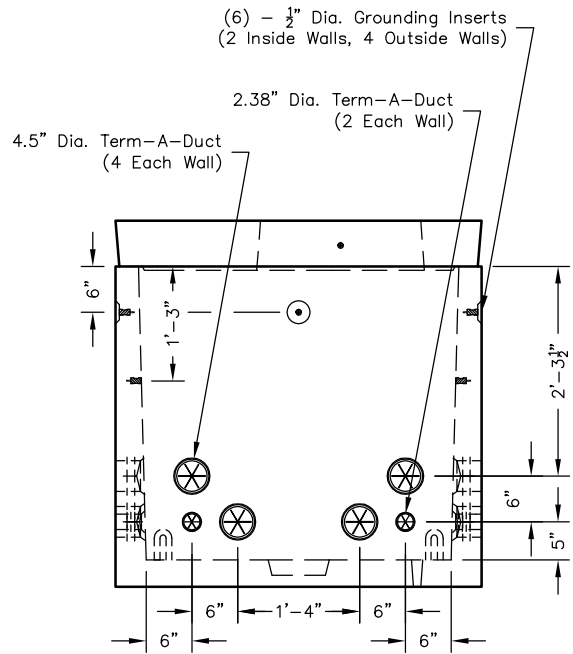
# 444-PGE



**PLAN VIEW**




**SECTION AA**



**END VIEW**

PGE L26100 1-5-12

 <p>PO Box 323, Wilsonville, Oregon 97070-0323 Tel: (503) 682-2844 Fax: (503) 682-2657</p>	<p><b>444-PGE</b></p>	<p><b>444-PGE</b> <b>48 x 48 x 48</b></p>
	File Name: 020-444PGE	
	Issue Date: 2018	
	<a href="http://oldcastleprecast.com/wilsonville">oldcastleprecast.com/wilsonville</a>	