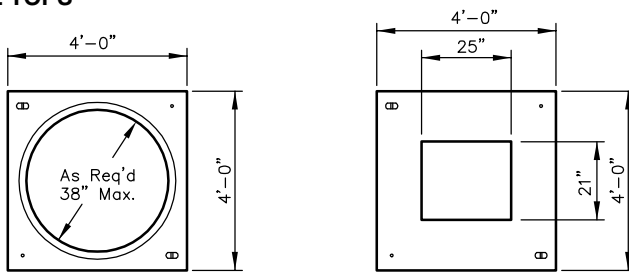


OPTIONAL TOPS



ROUND ACCESS
No. 44-38C (Shown)
660 lbs.

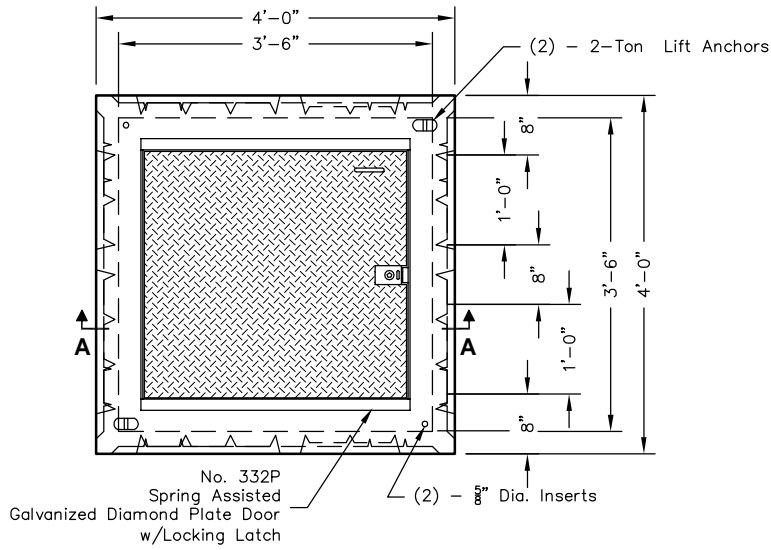
PADMOUNT
No. 44-2125 (Shown)
940 lbs.

Note:
- Vault not available in solid wall.

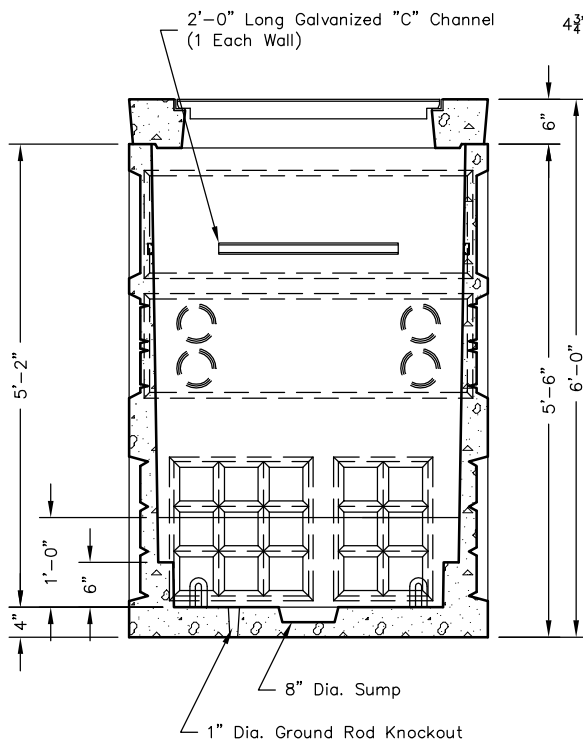
Note: Designed for 0 to 5'-0" of Cover

 <p>PO Box 323, Wilsonville, Oregon 97070-0323 Tel: (503) 682-2844 Fax: (503) 682-2657</p>	<p>446-LA</p>	<p>446-LA 3 x 3 x 5 POWER / WATER / GAS</p>
	File Name: 020-446LA	
	Issue Date: 2016	
	oldcastleprecast.com/wilsonville	

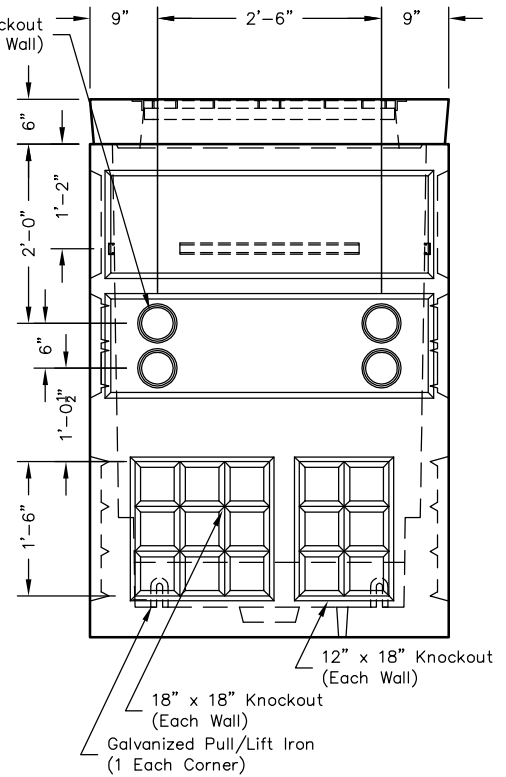
446-LA



PLAN VIEW



SECTION AA



SIDE VIEW



PO Box 323, Wilsonville, Oregon 97070-0323
Tel: (503) 682-2844 Fax: (503) 682-2657

446-LA

File Name: 020-446LA

Issue Date: 2016

oldcastleprecast.com/wilsonville

446-LA
3 x 3 x 5
POWER / WATER / GAS