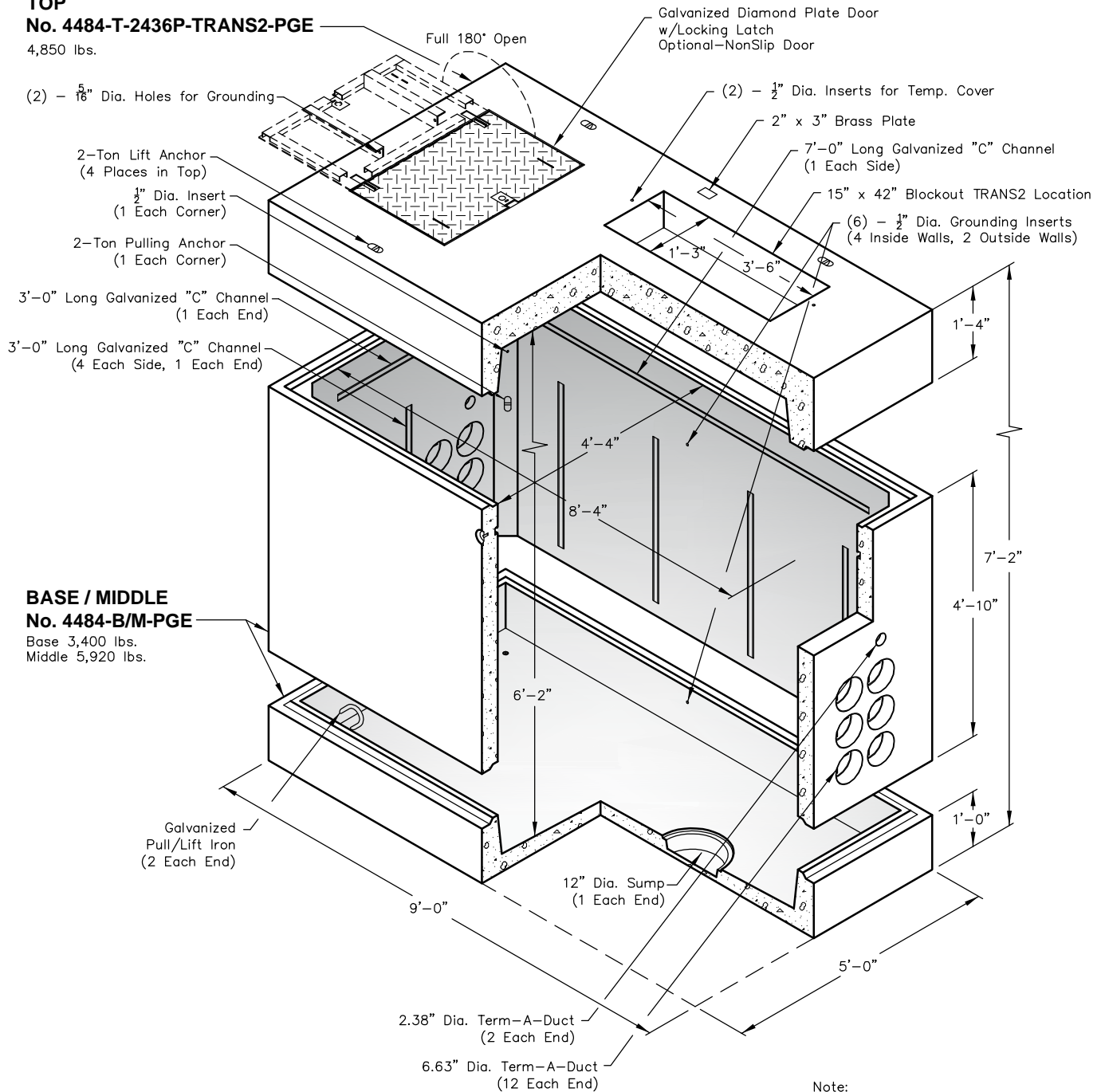


## Three Phase Padmount Transformer Vault - 75 kVA - 300 kVA

### TOP

#### No. 4484-T-2436P-TRANS2-PGE

4,850 lbs.



Note:  
- 6.63" to 4.5" diameter reducer bushings are available.

Note: Designed for 0 to 5'-0" of Cover

PGE L26100 1-5-12



PO Box 323, Wilsonville, Oregon 97070-0323  
Tel: (503) 682-2844 Fax: (503) 682-2657

### 4484-PGE

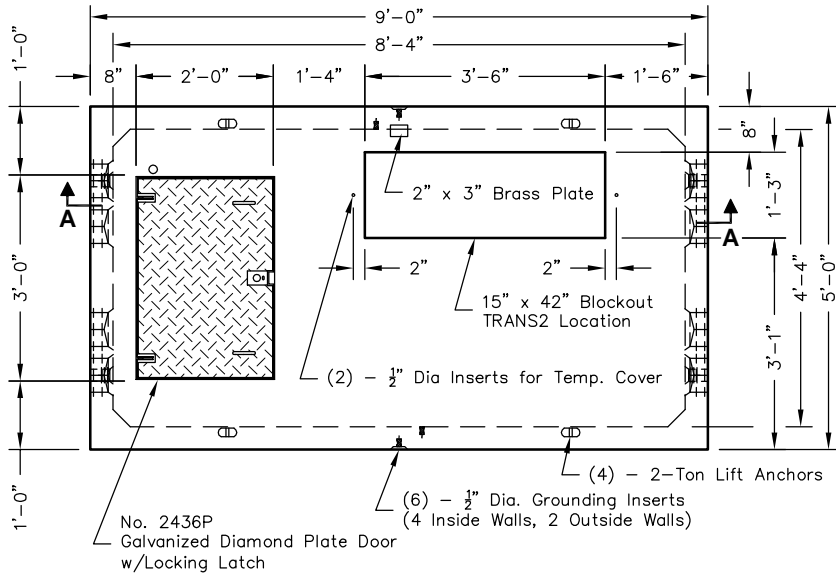
File Name: 020-4484PGE

Issue Date: 2018

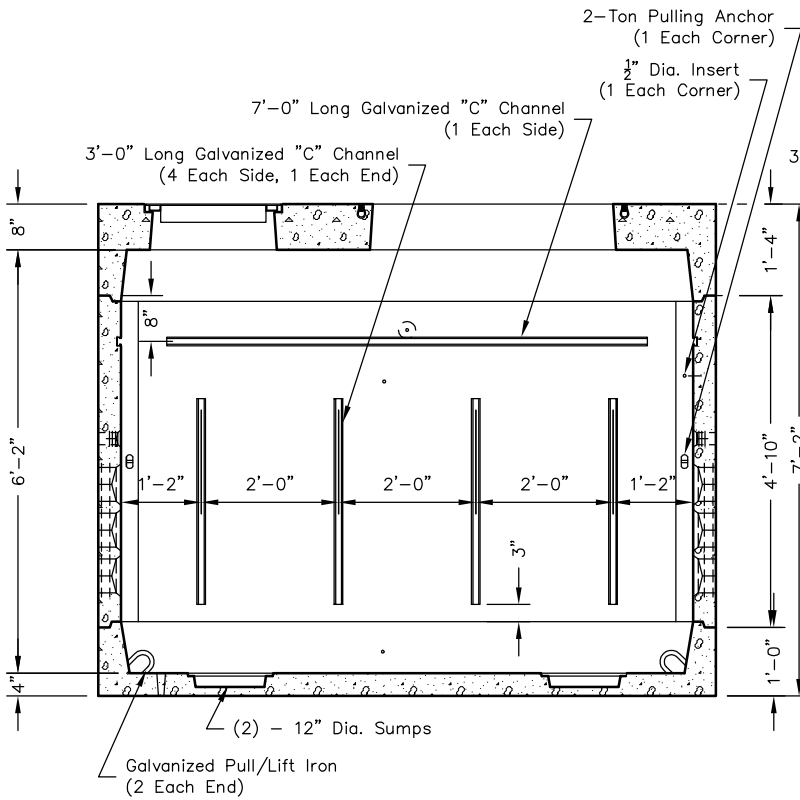
[oldcastleprecast.com/wilsonville](http://oldcastleprecast.com/wilsonville)

**4484-PGE**  
**60 x 108 x 86**

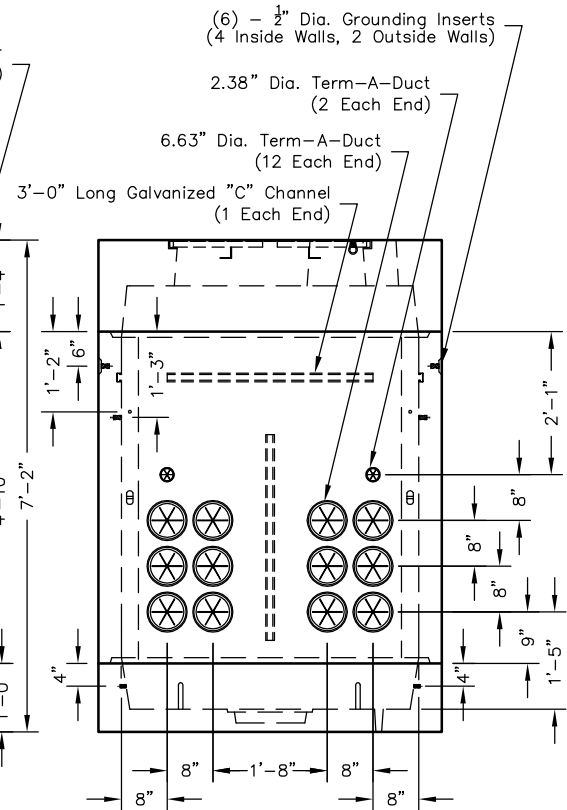
# 4484-PGE



**PLAN VIEW**




**SECTION AA**



**END VIEW**

Note:  
- 6.63" to 4.5" diameter reducer bushings are available.

PGE L26100 1-5-12

 <b>Oldcastle Precast®</b> PO Box 323, Wilsonville, Oregon 97070-0323 Tel: (503) 682-2844 Fax: (503) 682-2657	<b>4484-PGE</b>	<b>4484-PGE</b> <b>60 x 108 x 86</b>
	File Name: 020-4484PGE	
	Issue Date: 2018	
	<a href="http://oldcastleprecast.com/wilsonville">oldcastleprecast.com/wilsonville</a>	