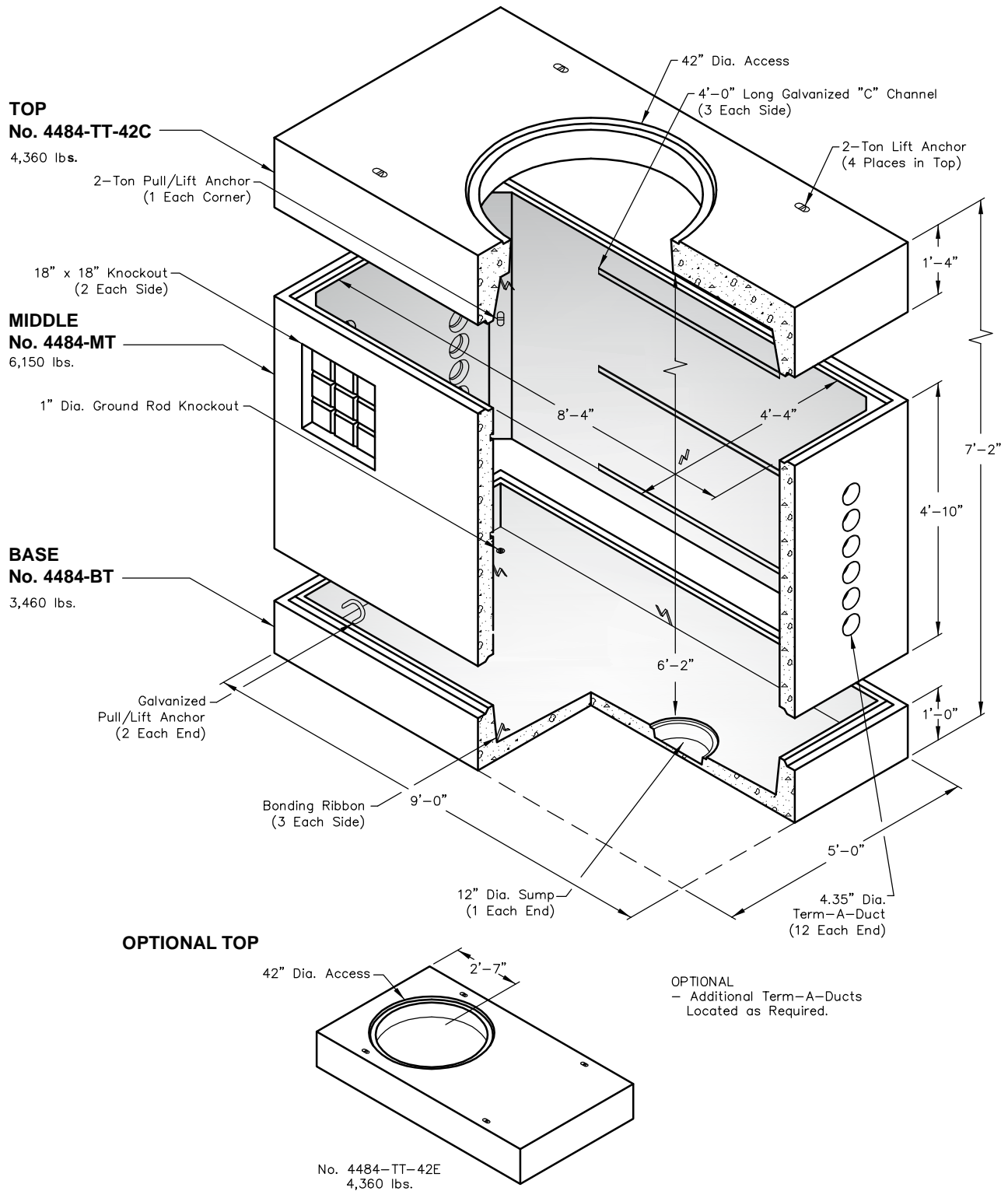



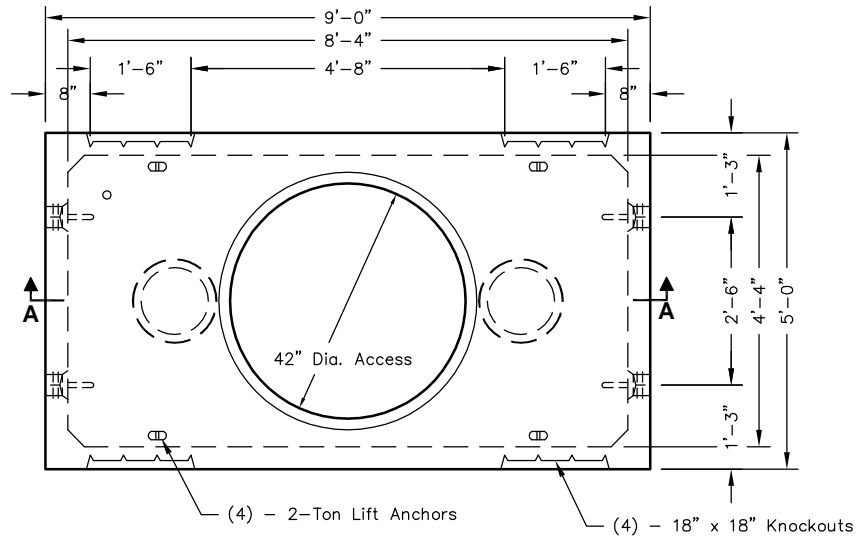
4484-TA



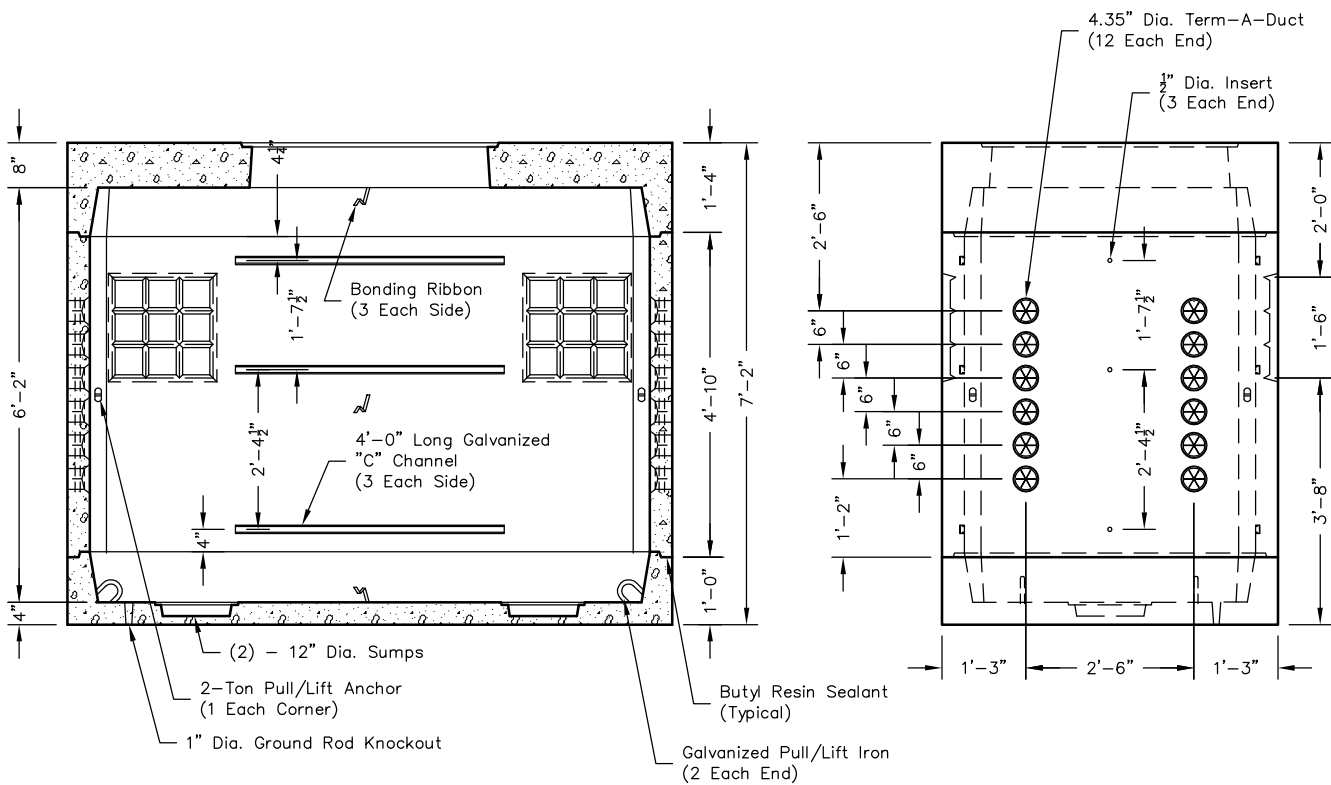
Note: Designed for 0 to 5'-0" of Cover

 Oldcastle Precast® PO Box 323, Wilsonville, Oregon 97070-0323 Tel: (503) 682-2844 Fax: (503) 682-2657	4484-TA	4484-TA 4 x 8 - 3 PC. COMMUNICATIONS
	File Name: 020-4484TA	
	Issue Date: 2016	
oldcastleprecast.com/wilsonville		

4484-TA



PLAN VIEW



SECTION AA

END VIEW



PO Box 323, Wilsonville, Oregon 97070-0323
Tel: (503) 682-2844 Fax: (503) 682-2657

4484-TA

File Name: 020-4484TA

Issue Date: 2016

oldcastleprecast.com/wilsonville

4484-TA 4 x 8 - 3 PC. COMMUNICATIONS