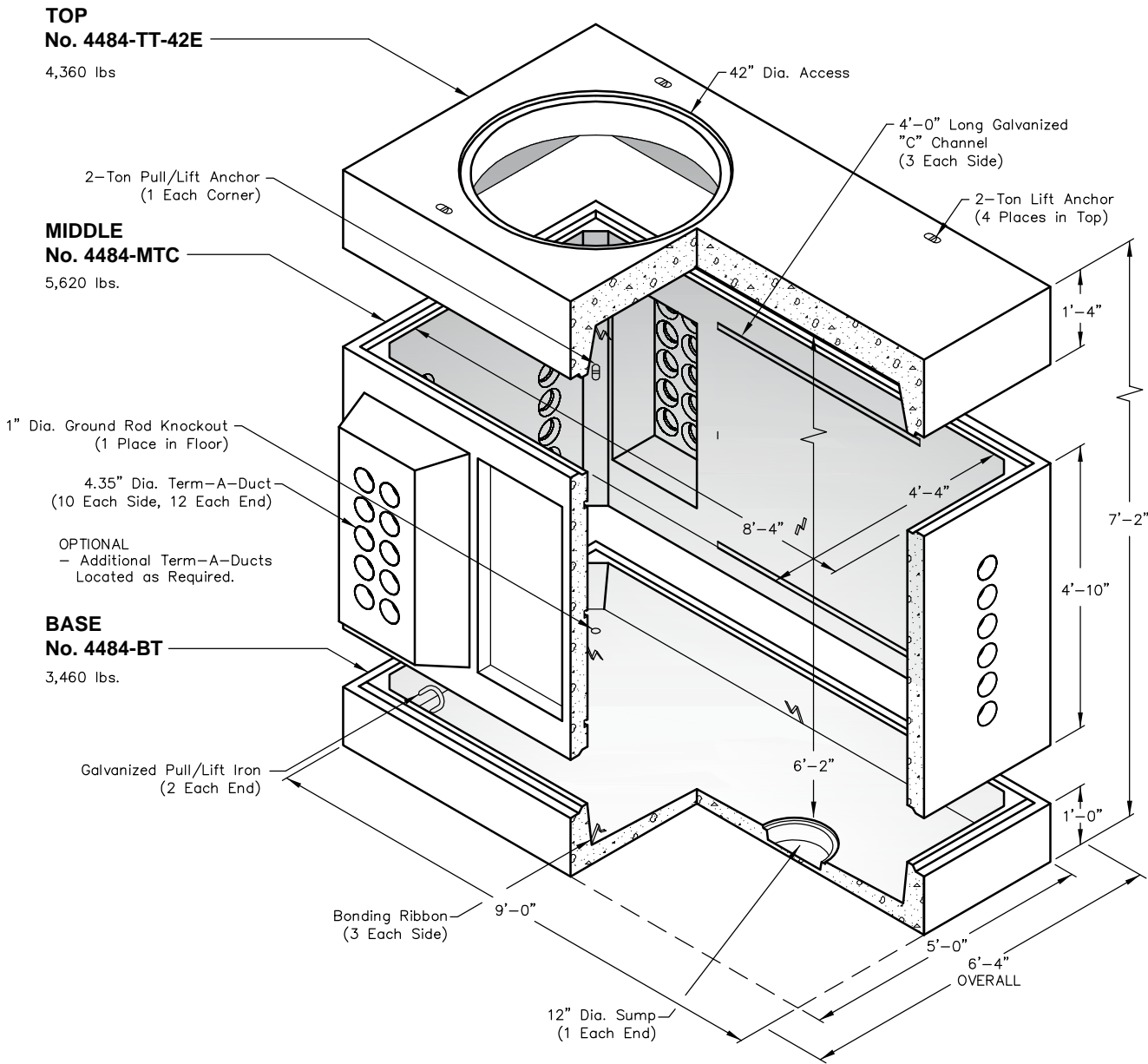
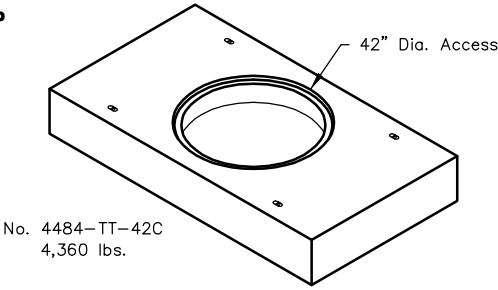



4484-TCA



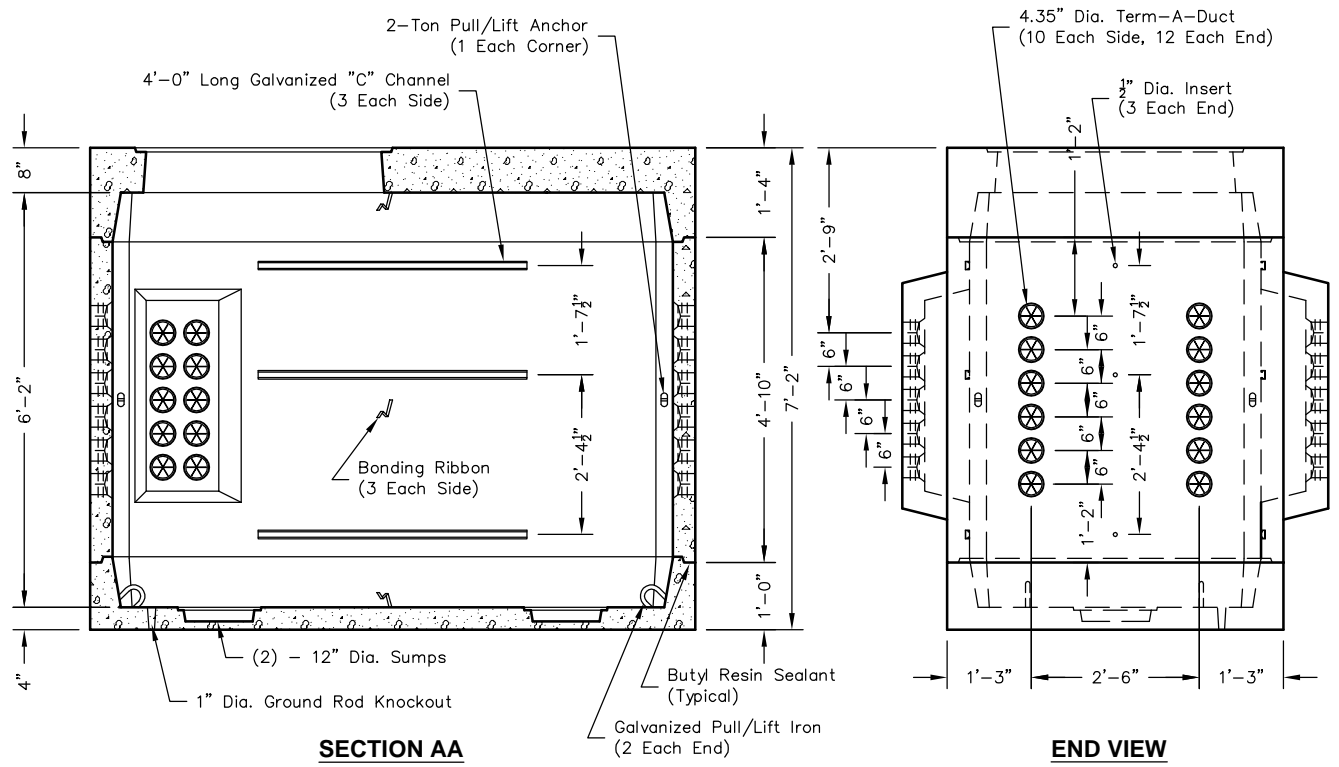
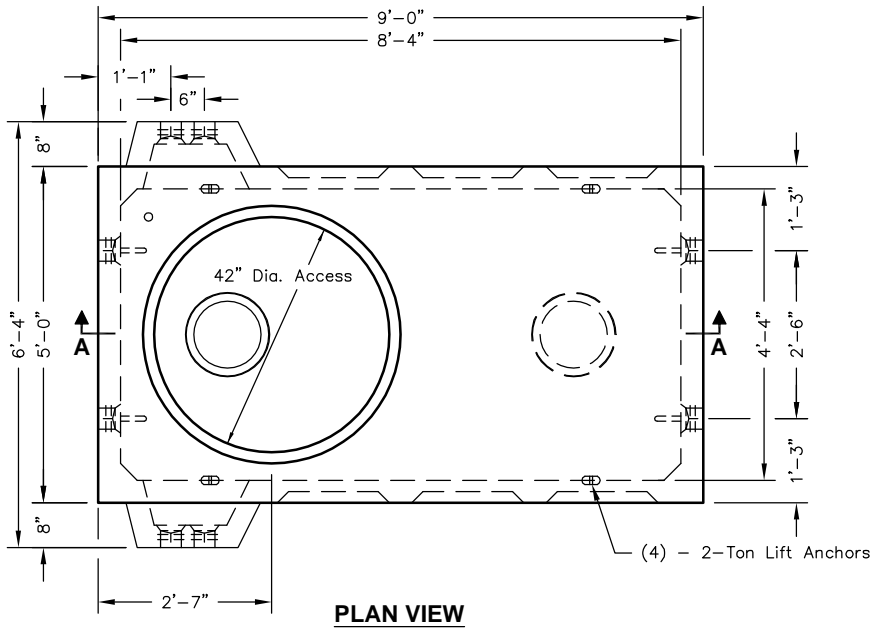
OPTIONAL TOP




Note: Designed for 0 to 5'-0" of Cover

 <p>PO Box 323, Wilsonville, Oregon 97070-0323 Tel: (503) 682-2844 Fax: (503) 682-2657</p>	<p>4484-TCA</p>	<p>4484-TCA 4 x 8 - 3 PC. COMMUNICATIONS</p>
	<p>File Name: 020-4484TCA</p>	
	<p>Issue Date: 2016</p>	
	<p>oldcastleprecast.com/wilsonville</p>	

4484-TCA



 <p>PO Box 323, Wilsonville, Oregon 97070-0323 Tel: (503) 682-2844 Fax: (503) 682-2657</p>	4484-TCA	4484-TCA 4 x 8 - 3 PC. COMMUNICATIONS
	File Name: 020-4484TCA	
	Issue Date: 2016	
	oldcastleprecast.com/wilsonville	