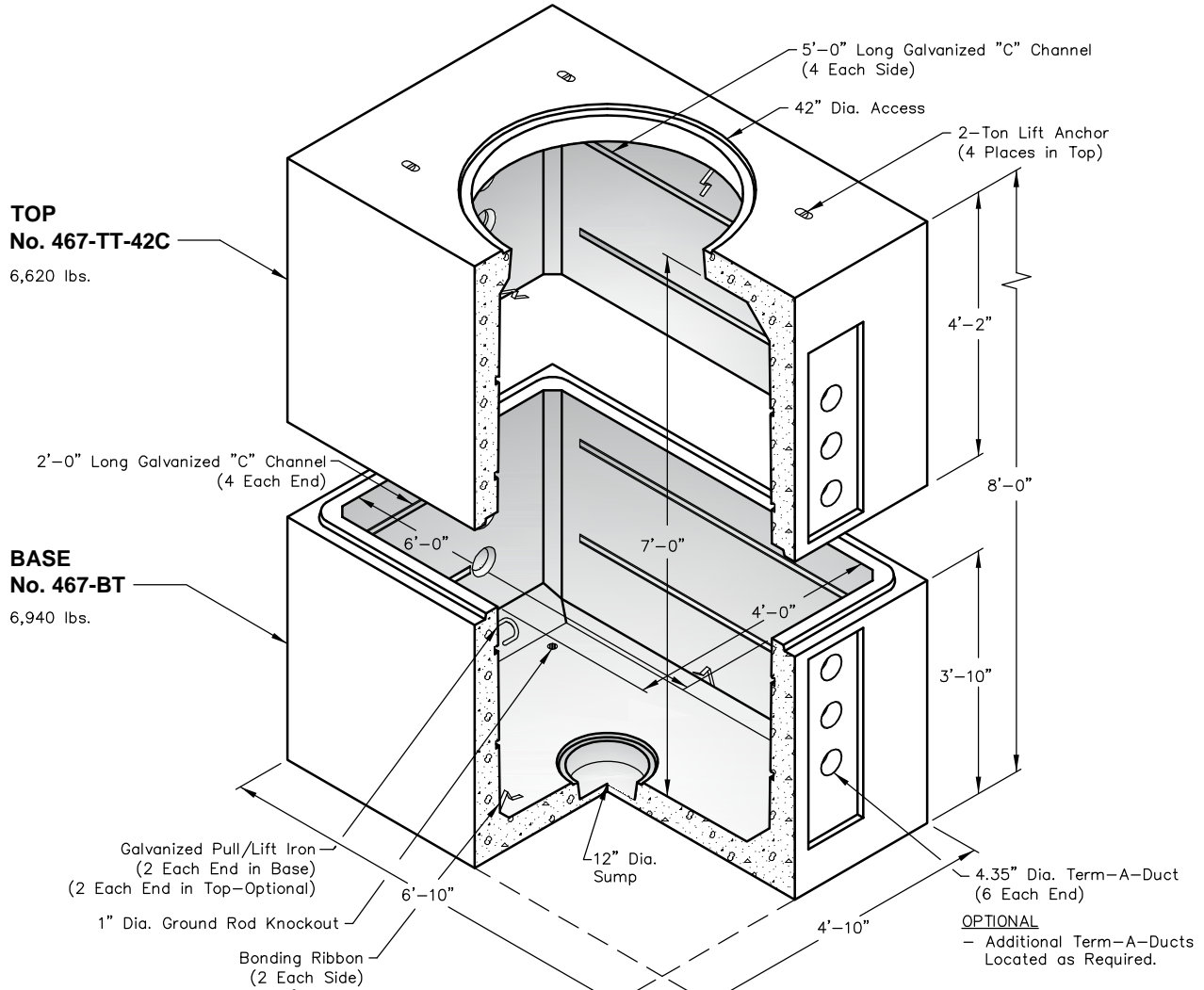
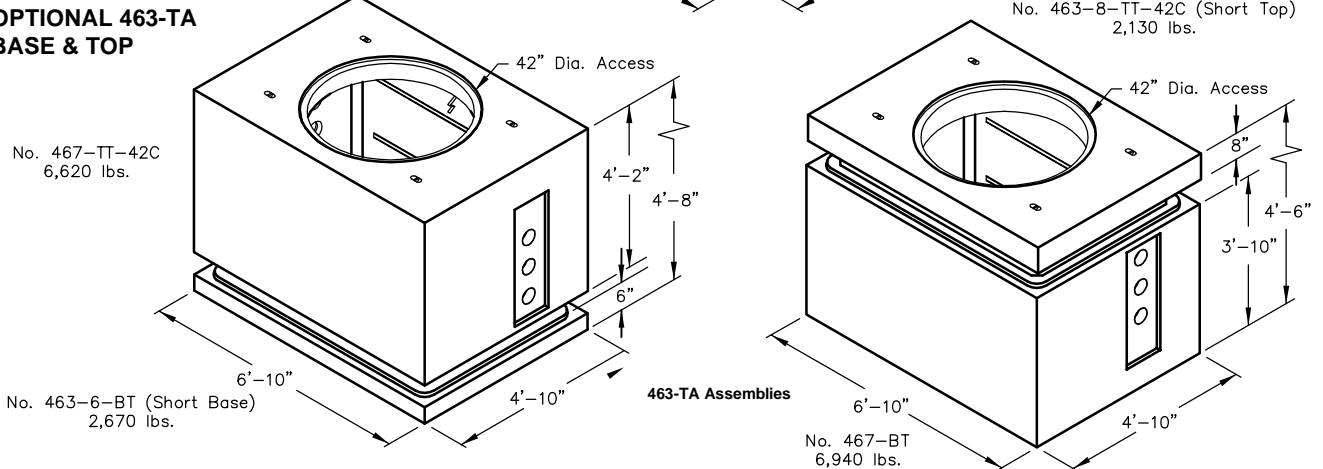



# 463 / 467-TA



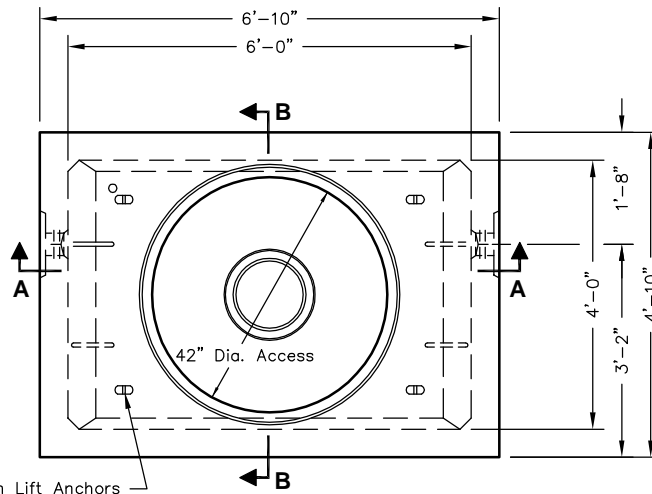
**OPTIONAL 463-TA BASE & TOP**



Note: Designed for 0 to 5'-0" of Cover

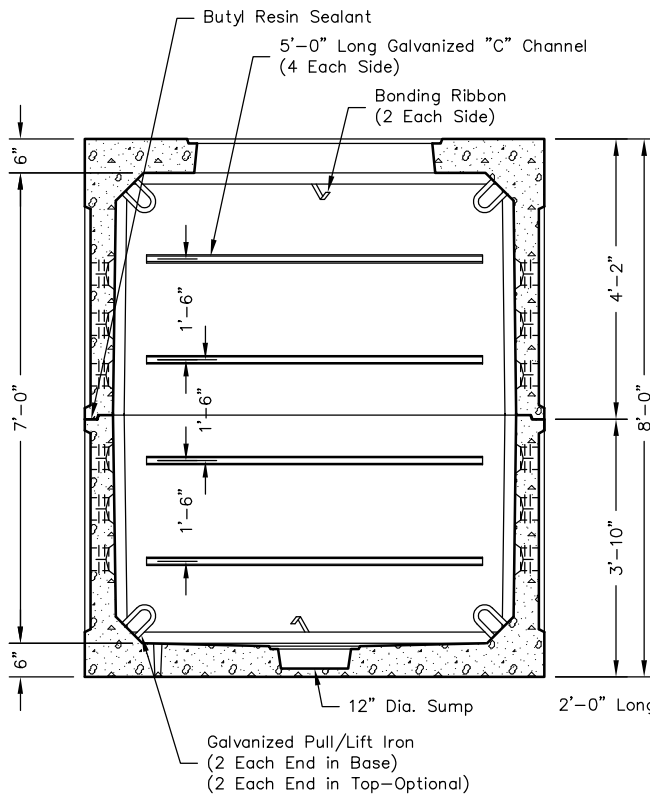
 <b>Oldcastle Precast®</b> PO Box 323, Wilsonville, Oregon 97070-0323 Tel: (503) 682-2844 Fax: (503) 682-2657	<b>463 / 467-TA</b>	<b>463 / 467-TA</b> <b>4 x 6</b> <b>COMMUNICATIONS</b>
	File Name: 020-463TA-467TA	
	Issue Date: 2016	
	<a href="http://oldcastleprecast.com/wilsonville">oldcastleprecast.com/wilsonville</a>	

# 463 / 467-TA

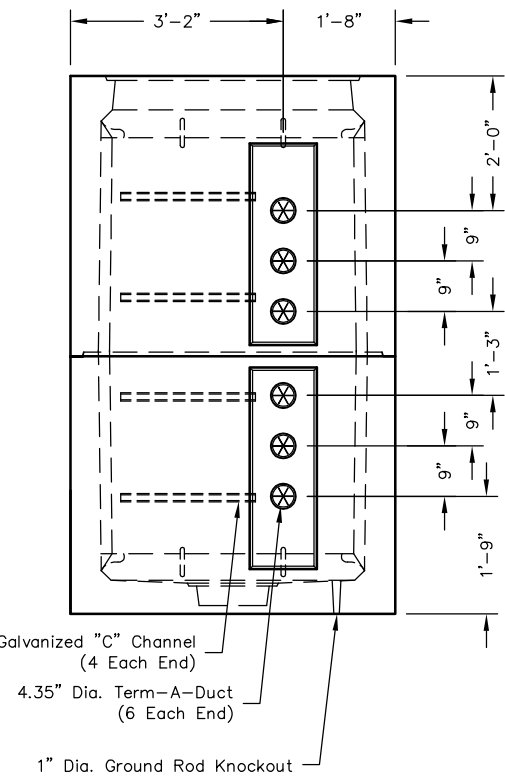


(4) - 2-Ton Lift Anchors


**PLAN VIEW**



**SECTION AA**



**END VIEW**

 <p>PO Box 323, Wilsonville, Oregon 97070-0323 Tel: (503) 682-2844 Fax: (503) 682-2657</p>	<p><b>463 / 467-TA</b></p>	<p><b>463 / 467-TA</b> <b>4 x 6</b> <b>COMMUNICATIONS</b></p>
	<p>File Name: 020-463TA-467TA</p>	
	<p>Issue Date: 2016</p>	
	<p><a href="http://oldcastleprecast.com/wilsonville">oldcastleprecast.com/wilsonville</a></p>	