

# FRONTIER 4 x 6.5 INTERCEPT

## TOP

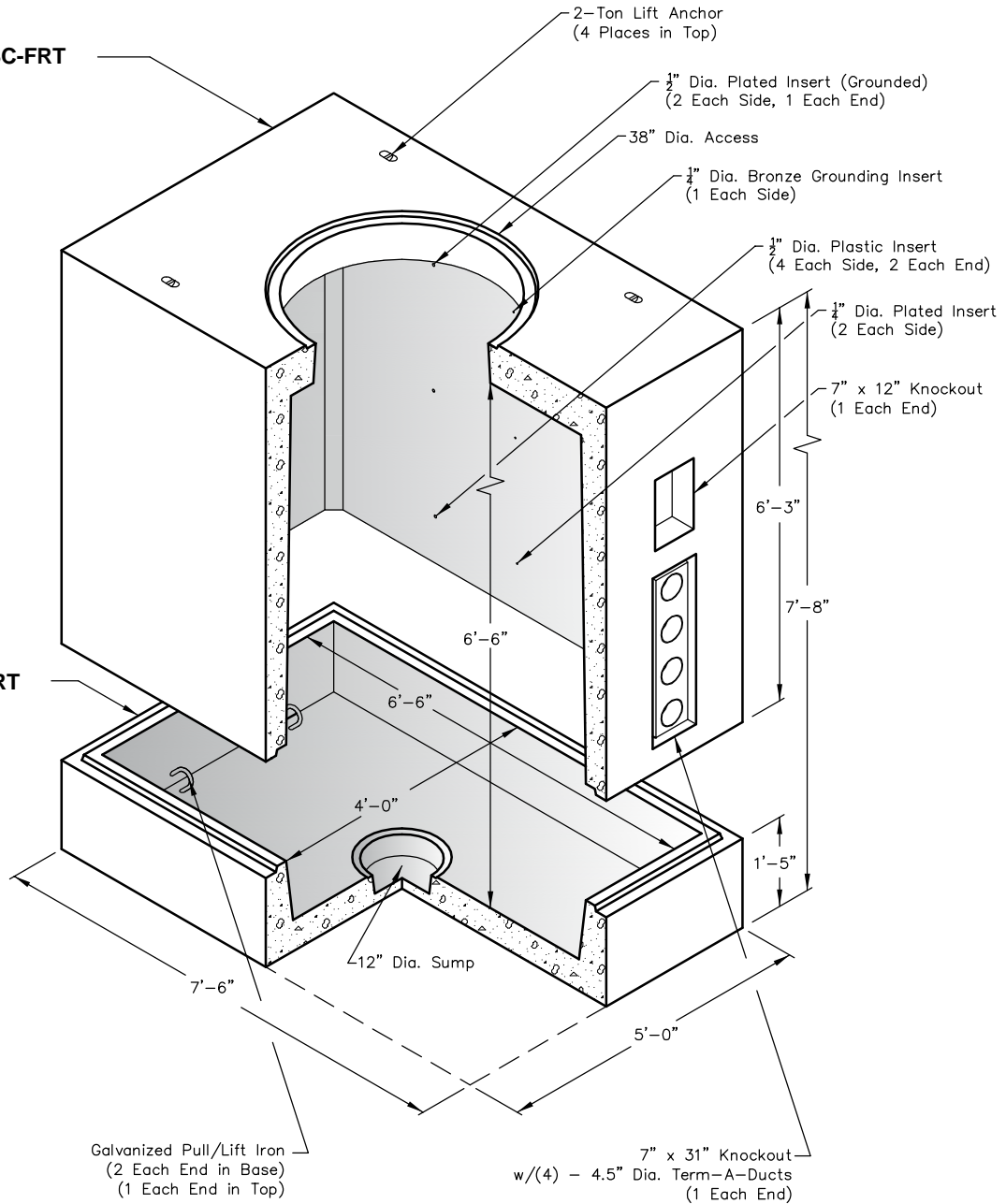
**No. 466-INT-T-38C-FRT**

10,950 lbs.

## BASE

**No. 466-INT-B-FRT**

4,260 lbs.



Note:  
 - Frontier racking not shown.  
 - Interior Painted "White".

Note: Designed for 0 to 5'-0" of Cover



PO Box 323, Wilsonville, Oregon 97070-0323  
 Tel: (503) 682-2844 Fax: (503) 682-2657

### FRONTIER 4 x 6.5 INT.

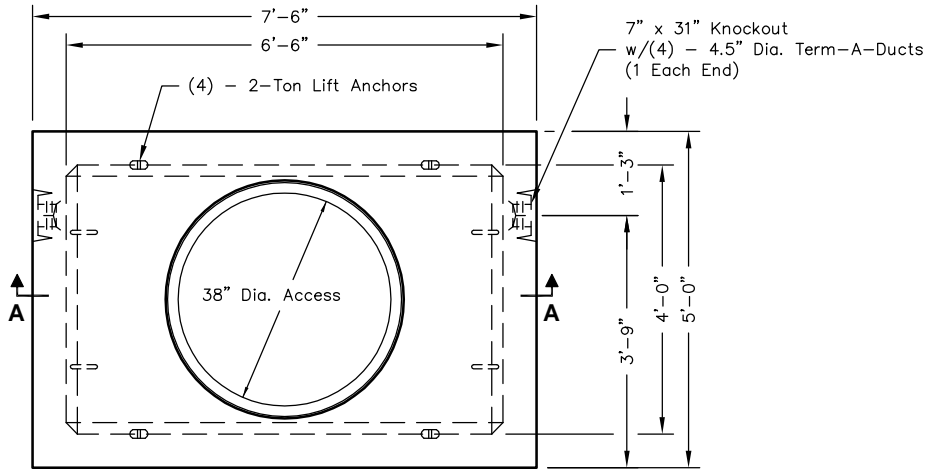
File Name: 020-466FRONTIER-INT

Issue Date: 2016

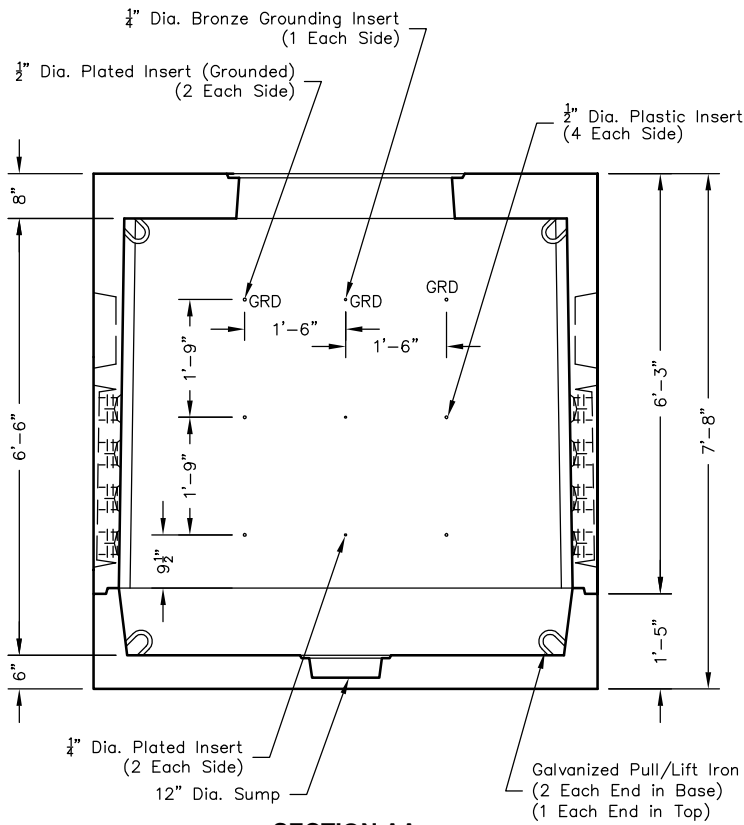
[oldcastleprecast.com/wilsonville](http://oldcastleprecast.com/wilsonville)

**FRONTIER 4 x 6.5  
 INTERCEPT  
 FRONTIER CODE: 180015**

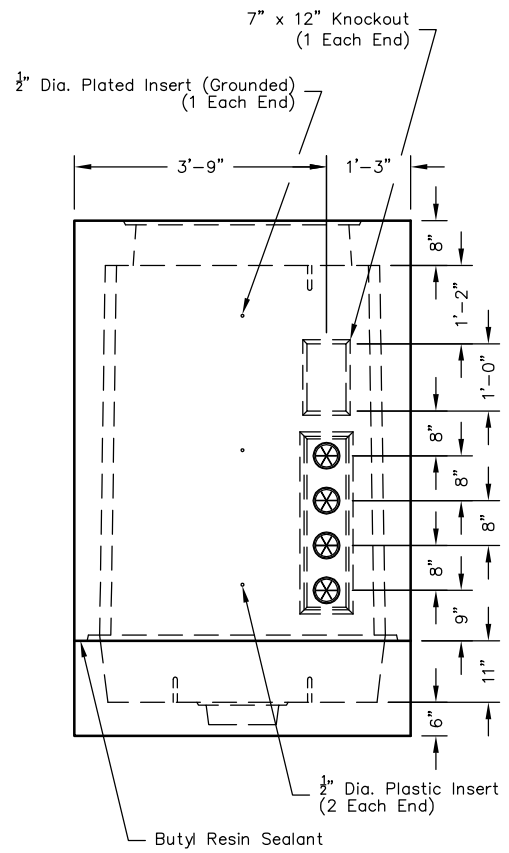
# FRONTIER 4 x 6.5 INTERCEPT



**PLAN VIEW**



**SECTION AA**



**End View**



PO Box 323, Wilsonville, Oregon 97070-0323  
Tel: (503) 682-2844 Fax: (503) 682-2657

**FRONTIER 4 x 6.5 INT.**

File Name: 020-466FRONTIER-INT

Issue Date: 2016

[oldcastleprecast.com/wilsonville](http://oldcastleprecast.com/wilsonville)

**FRONTIER 4 x 6.5  
INTERCEPT  
FRONTIER CODE: 180015**