
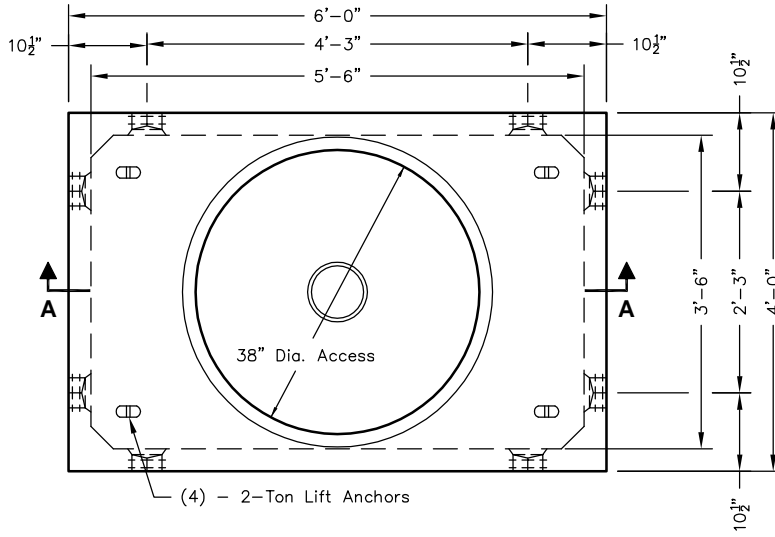


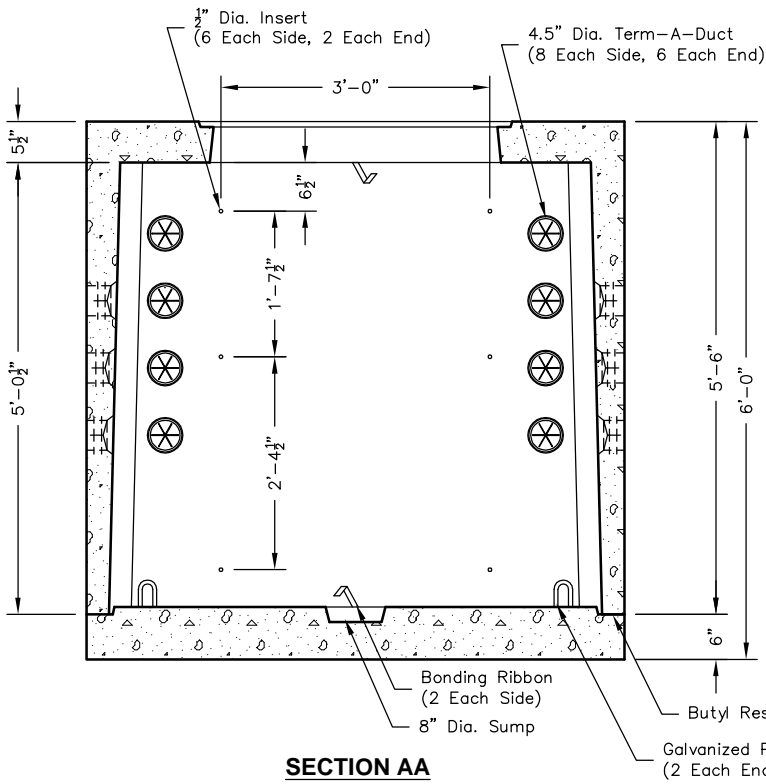
Note: Designed for 0 to 5'-0" of Cover

 <b>Oldcastle Precast®</b> PO Box 323, Wilsonville, Oregon 97070-0323 Tel: (503) 682-2844 Fax: (503) 682-2657	<b>466-TA</b>	<b>466-TA</b> <b>3 x 5 x 5</b> <b>COMMUNICATIONS</b>
	File Name: 020-466TA	
	Issue Date: 2016	
	<a href="http://oldcastleprecast.com/wilsonville">oldcastleprecast.com/wilsonville</a>	

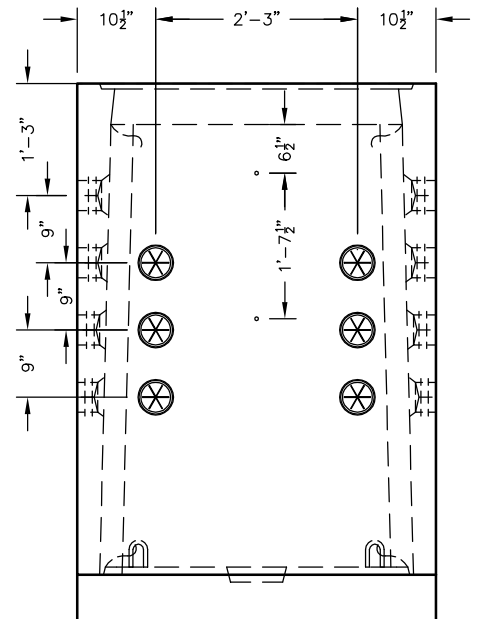
# 466-TA



**PLAN VIEW**



**SECTION AA**



**END VIEW**



PO Box 323, Wilsonville, Oregon 97070-0323  
Tel: (503) 682-2844 Fax: (503) 682-2657

## 466-TA

File Name: 020-466TA

Issue Date: 2016

[oldcastleprecast.com/wilsonville](http://oldcastleprecast.com/wilsonville)

## 466-TA 3 x 5 x 5 COMMUNICATIONS