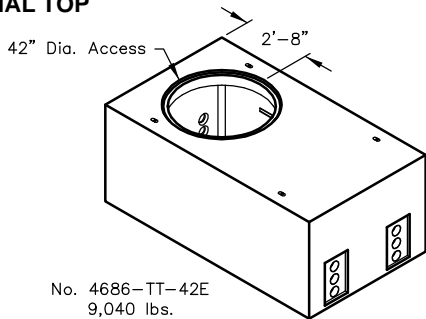



**OPTIONAL TOP**

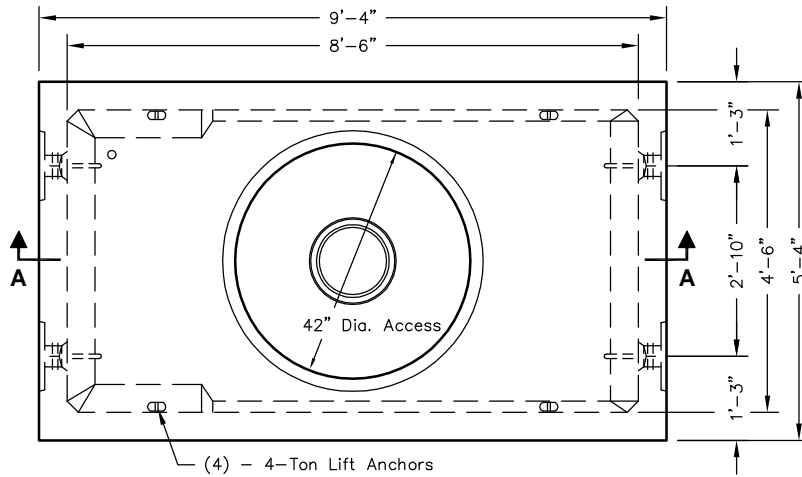


OPTIONAL  
 - Additional Term-A-Ducts Located as Required.

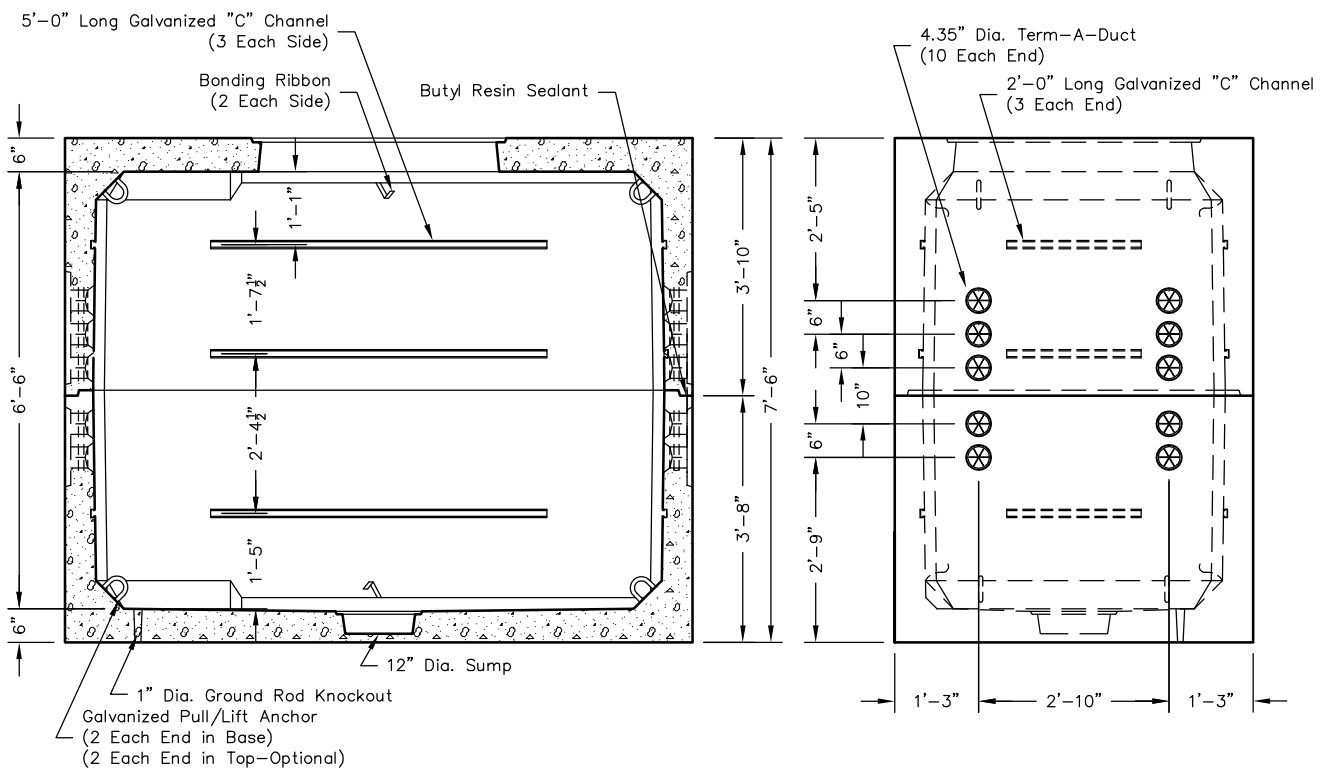
Note: Designed for 0 to 5'-0" of Cover

 <p>PO Box 323, Wilsonville, Oregon 97070-0323          Tel: (503) 682-2844 Fax: (503) 682-2657</p>	<p><b>4686-TA</b></p>	<p><b>4686-TA</b>  <b>5 x 9 - 2 PC.</b>  <b>COMMUNICATIONS</b></p>
	<p>File Name: 020-4686TA</p>	
	<p>Issue Date: 2016</p>	
	<p><a href="http://oldcastleprecast.com/wilsonville">oldcastleprecast.com/wilsonville</a></p>	

# 4686-TA




**PLAN VIEW**



**SECTION AA**

**END VIEW**

 <p><b>Oldcastle Precast®</b> PO Box 323, Wilsonville, Oregon 97070-0323 Tel: (503) 682-2844 Fax: (503) 682-2657</p>	<p><b>4686-TA</b></p>	<p><b>4686-TA</b> <b>5 x 9 - 2 PC.</b> <b>COMMUNICATIONS</b></p>
	<p>File Name: 020-4686TA</p>	
	<p>Issue Date: 2016</p>	
	<p><a href="http://oldcastleprecast.com/wilsonville">oldcastleprecast.com/wilsonville</a></p>	