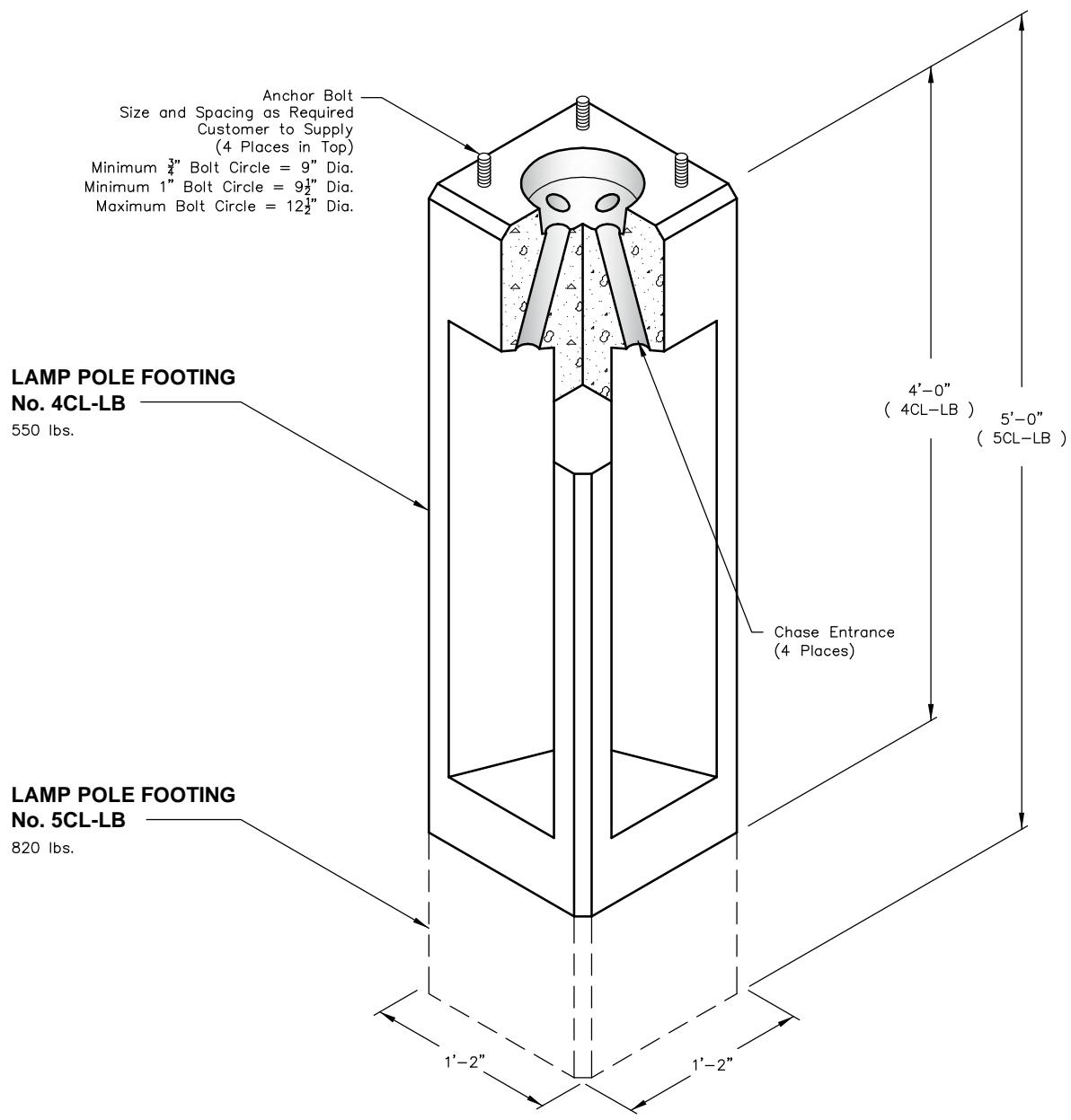



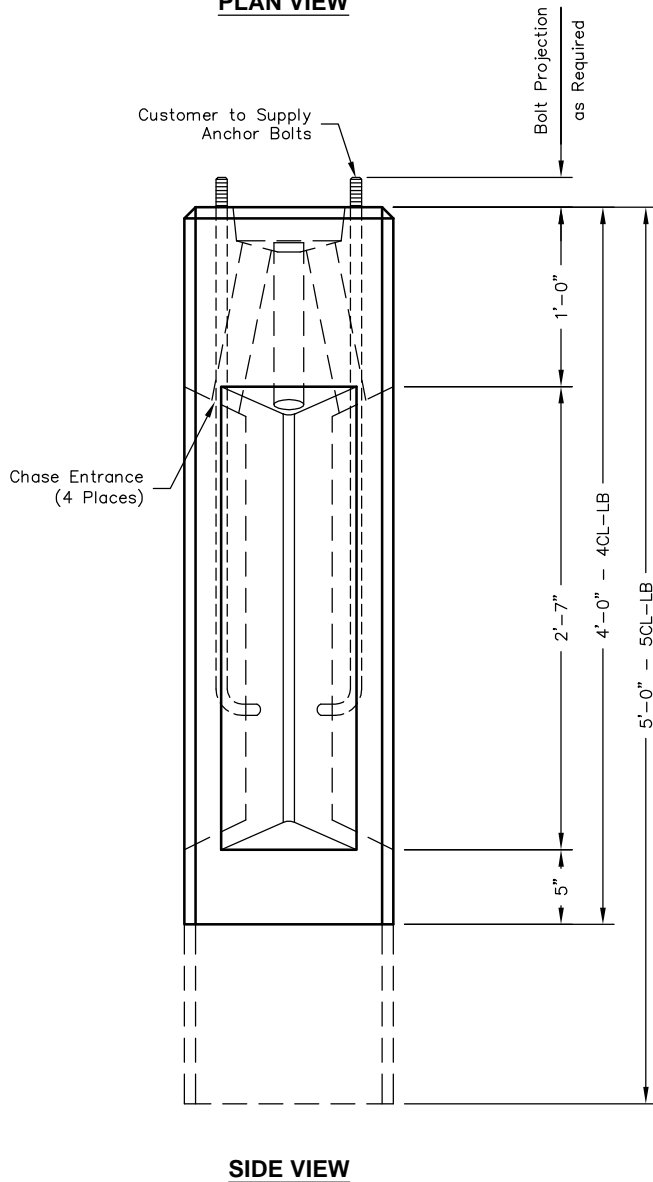
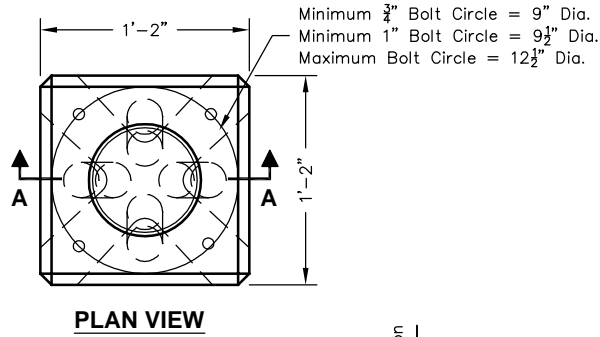
# 4CL-LB / 5CL-LB



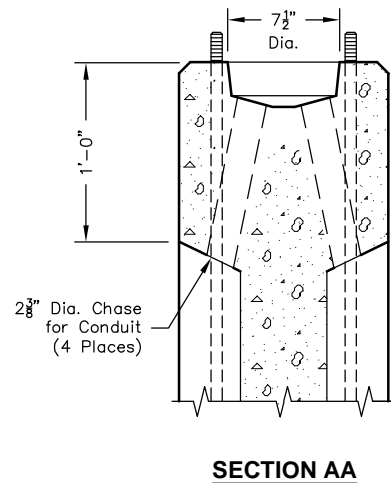
- Notes:
- Customer is responsible for setting lamp pole footing.
  - Footings should be selected using Structural Code and/or consultation with Professional Engineer.

 <b>Oldcastle Precast®</b> PO Box 323, Wilsonville, Oregon 97070-0323 Tel: (503) 682-2844 Fax: (503) 682-2657	<b>4CL-LB / 5CL-LB</b>	<b>4CL-LB / 5CL-LB PRECAST FOOTING FOR LAMP POLE</b>
	File Name: 020-4CL5CL	
	Issue Date: 2016	
	<a href="http://oldcastleprecast.com/wilsonville">oldcastleprecast.com/wilsonville</a>	

# 4CL-LB / 5CL-LB



Note:  
 - Lamp pole footing is set using lift plate secured to anchor bolt with nut. (2 Places)



PO Box 323, Wilsonville, Oregon 97070-0323  
 Tel: (503) 682-2844 Fax: (503) 682-2657

## 4CL-LB / 5CL-LB

File Name: 020-4CL5CL

Issue Date: 2016

[oldcastleprecast.com/wilsonville](http://oldcastleprecast.com/wilsonville)

## 4CL-LB / 5CL-LB PRECAST FOOTING FOR LAMP POLE