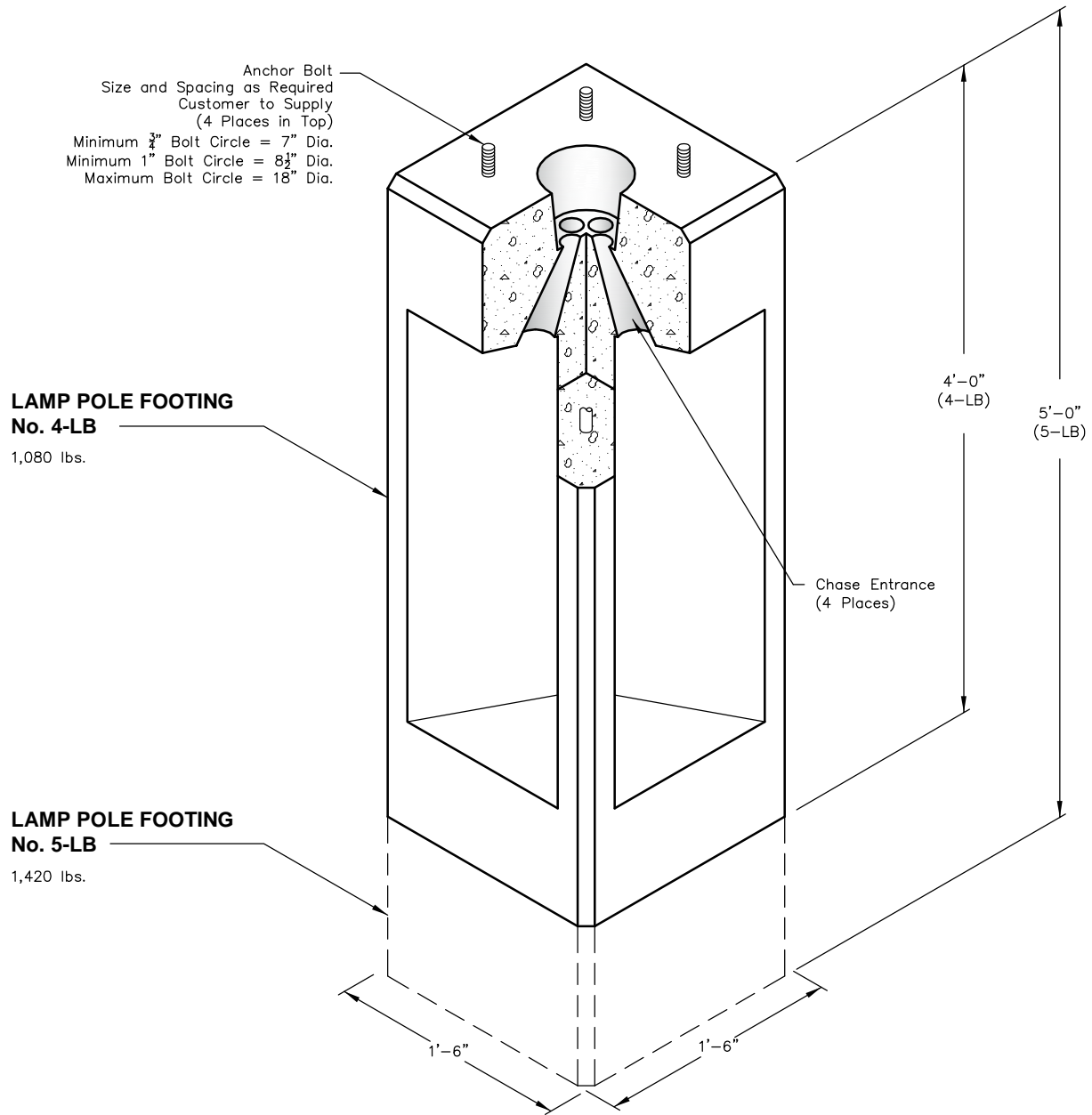


# 4-LB / 5-LB



Note:  
 - Customer is responsible for setting lamp pole footing.  
 - Footings should be selected using Structural Code  
 and/or consultation with Professional Engineer.



PO Box 323, Wilsonville, Oregon 97070-0323  
 Tel: (503) 682-2844 Fax: (503) 682-2657

## 4-LB / 5-LB

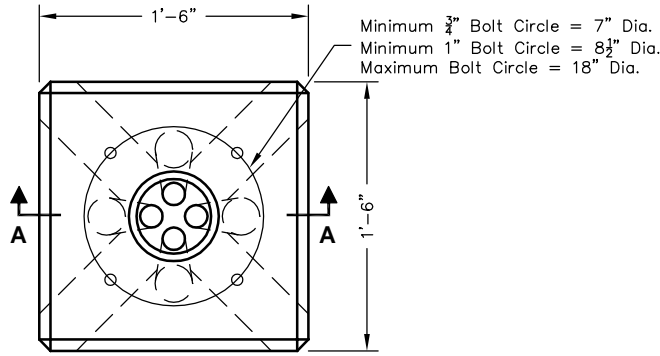
File Name: 020-4LB5LB

Issue Date: 2016

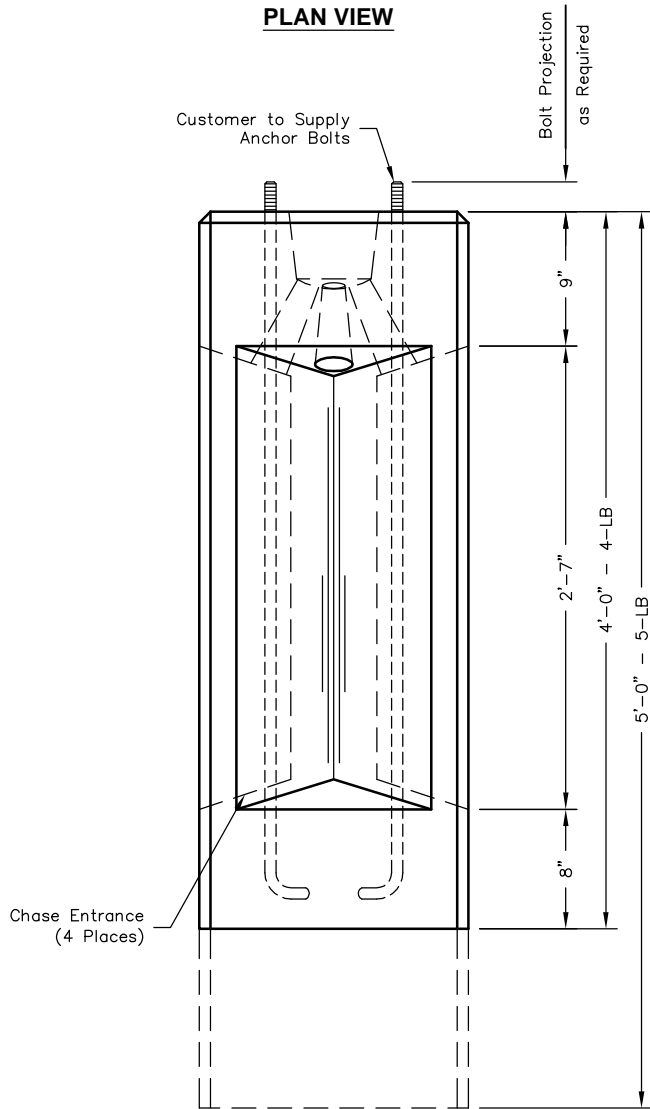
[oldcastleprecast.com/wilsonville](http://oldcastleprecast.com/wilsonville)

## 4-LB / 5-LB PRECAST FOOTING FOR LAMP POLE

# 4-LB / 5-LB

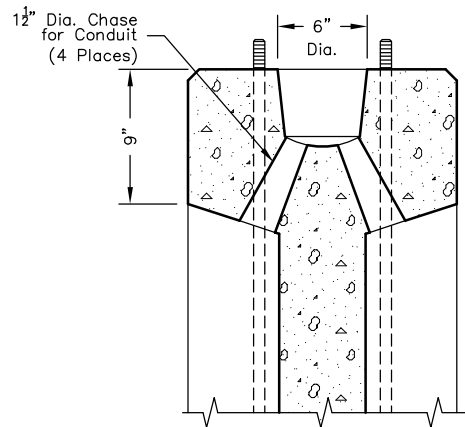


**PLAN VIEW**



**SIDE VIEW**

Note:  
 - Lamp pole footing is set using lift plate secured to anchor bolt with nut. (2 Places)



**SECTION AA**



PO Box 323, Wilsonville, Oregon 97070-0323  
 Tel: (503) 682-2844 Fax: (503) 682-2657

## 4-LB / 5-LB

File Name: 020-4LB5LB

Issue Date: 2016

[oldcastleprecast.com/wilsonville](http://oldcastleprecast.com/wilsonville)

## 4-LB / 5-LB PRECAST FOOTING FOR LAMP POLE