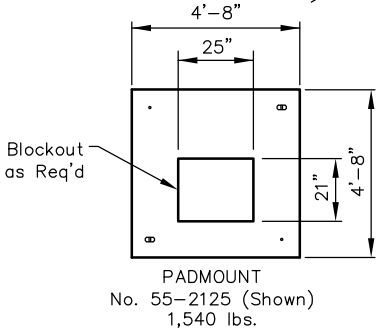
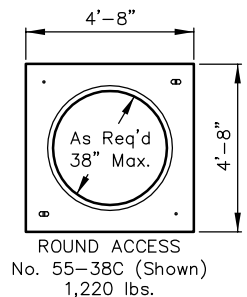
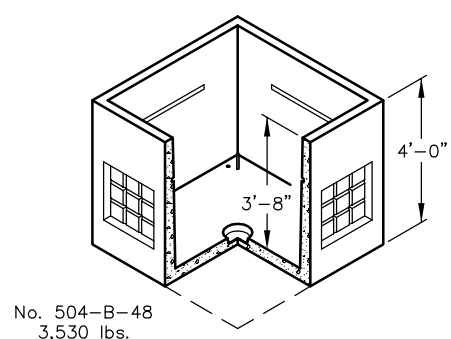



**OPTIONAL TOPS**



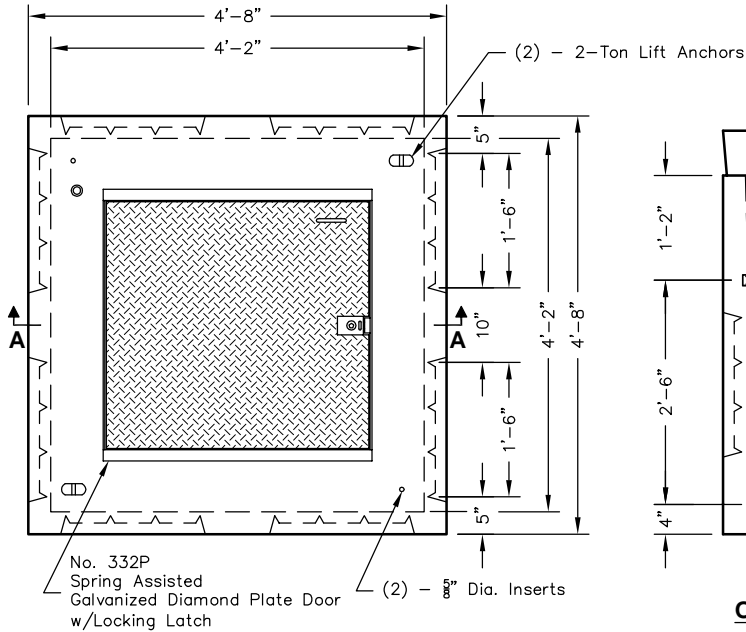
**OPTIONAL DEEP BASE**



Note: Designed for 0 to 5'-0" of Cover

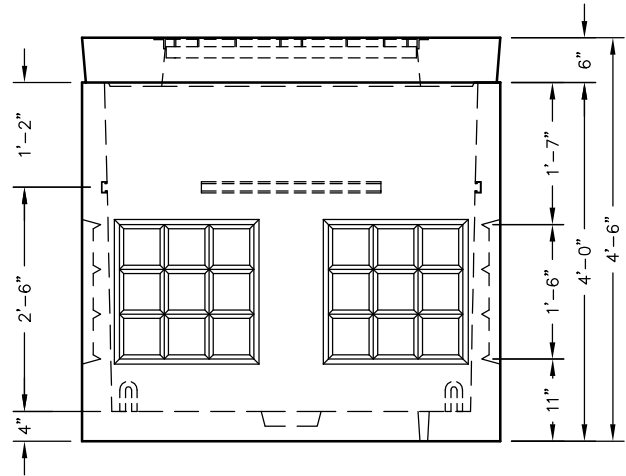
 <p>PO Box 323, Wilsonville, Oregon 97070-0323 Tel: (503) 682-2844 Fax: (503) 682-2657</p>	<p><b>504-LA</b></p>	<p><b>504-LA</b> <b>4 x 4 x 3</b> <b>POWER / WATER / GAS</b></p>
	File Name: 020-504LA	
	Issue Date: 2016	
	<a href="http://oldcastleprecast.com/wilsonville">oldcastleprecast.com/wilsonville</a>	

# 504-LA



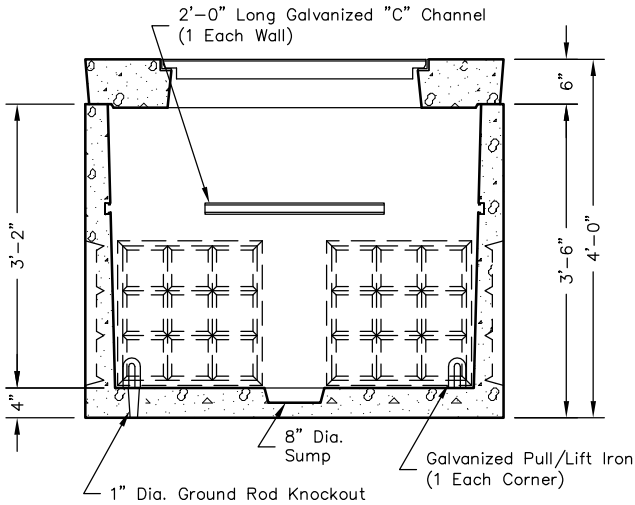
**PLAN VIEW**

504-LA and 504-LA-48



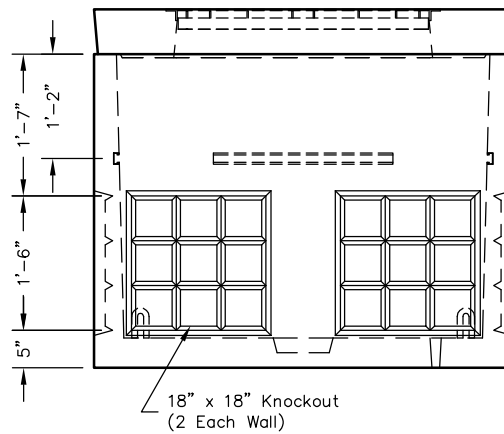
**OPTIONAL DEEP BASE-SIDE VIEW**

(Base Height is 4'-0")  
No. 504-B-48



**SECTION AA**

No. 504-LA



**STANDARD BASE-SIDE VIEW**

No. 504-LA



PO Box 323, Wilsonville, Oregon 97070-0323  
Tel: (503) 682-2844 Fax: (503) 682-2657

## 504-LA

File Name: 020-504LA

Issue Date: 2016

[oldcastleprecast.com/wilsonville](http://oldcastleprecast.com/wilsonville)

**504-LA  
4 x 4 x 3  
POWER / WATER / GAS**