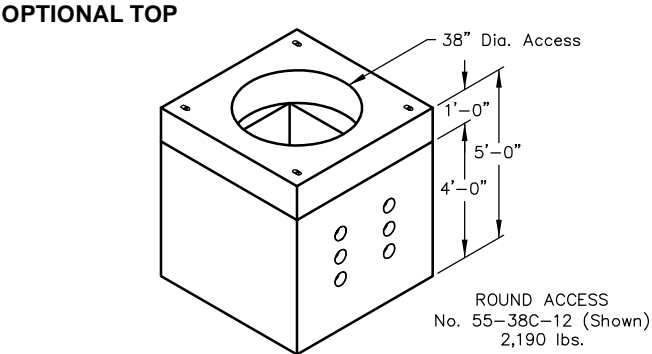
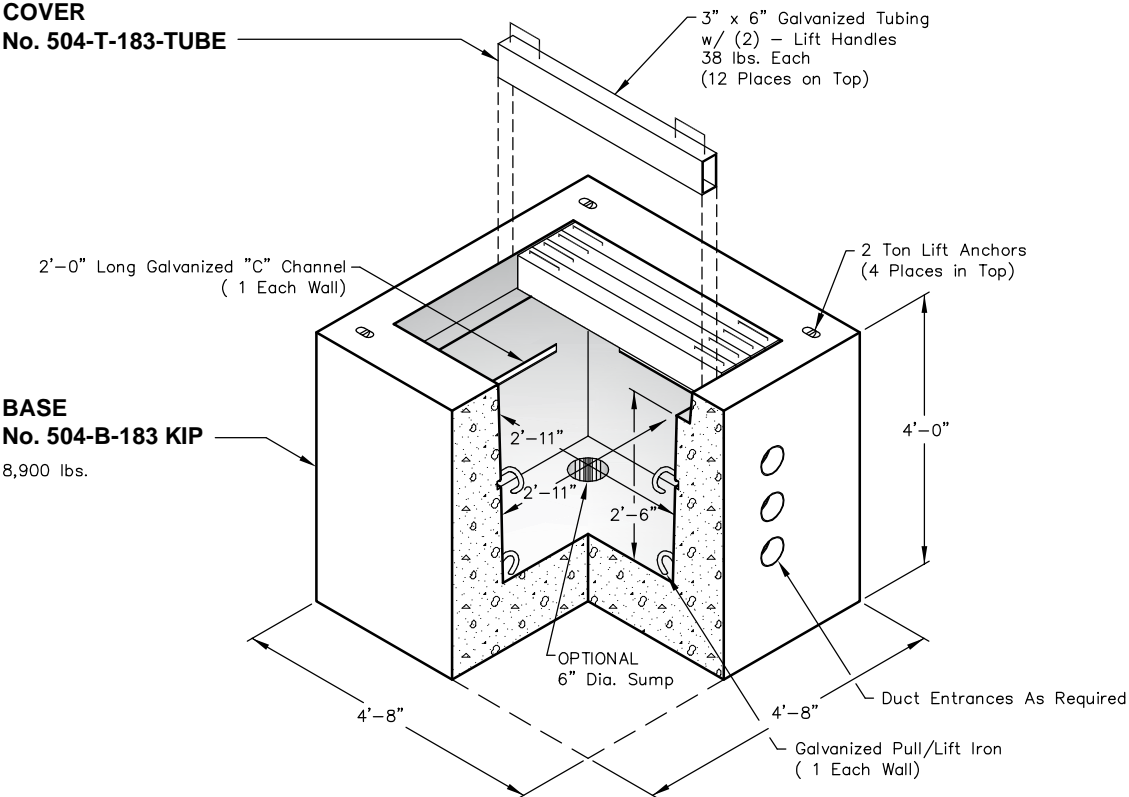


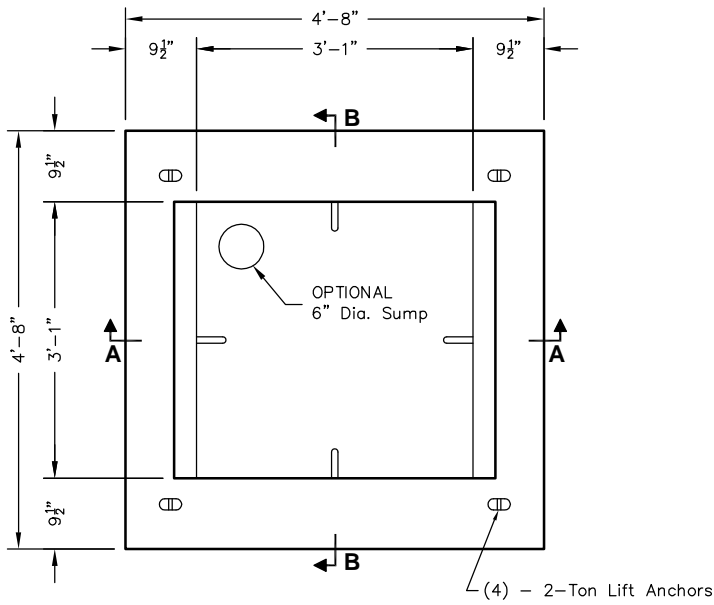
504-LA-AIRPORT-183 KIP



Note: Designed for 0 to 5'-0" of Cover

 <p>PO Box 323, Wilsonville, Oregon 97070-0323 Tel: (503) 682-2844 Fax: (503) 682-2657</p>	<p>504-LA-AIRPORT-183 KIP</p>	<p>504-LA-AIRPORT-183 KIP 3 x 3 AIRPORT PULL BOX</p>
	<p>File Name: 020-504LA183K</p>	
	<p>Issue Date: 2016</p>	
	<p>oldcastleprecast.com/wilsonville</p>	

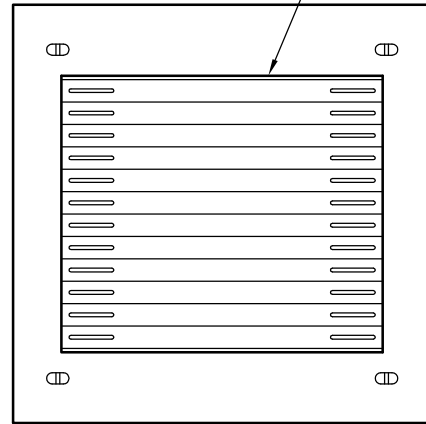
504-LA-AIRPORT-183 KIP



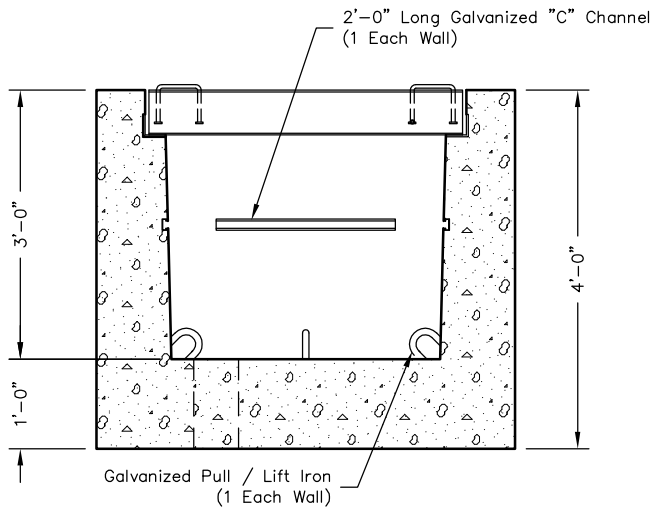
PLAN VIEW

Cover Not Shown, See Cover Plan

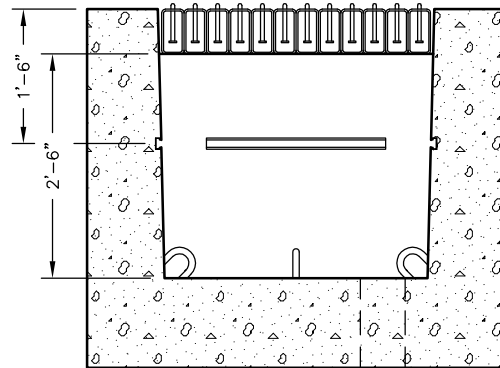
(12) - 3" x 6" Galvanized Tubing
w/(2) - Lift Handles Each



COVER PLAN



SECTION AA



SECTION BB



PO Box 323, Wilsonville, Oregon 97070-0323
Tel: (503) 682-2844 Fax: (503) 682-2657

504-LA-AIRPORT-183 KIP

File Name: 020-504LA183K

Issue Date: 2016

oldcastleprecast.com/wilsonville

504-LA-AIRPORT-183 KIP

**3 x 3
AIRPORT PULL BOX**