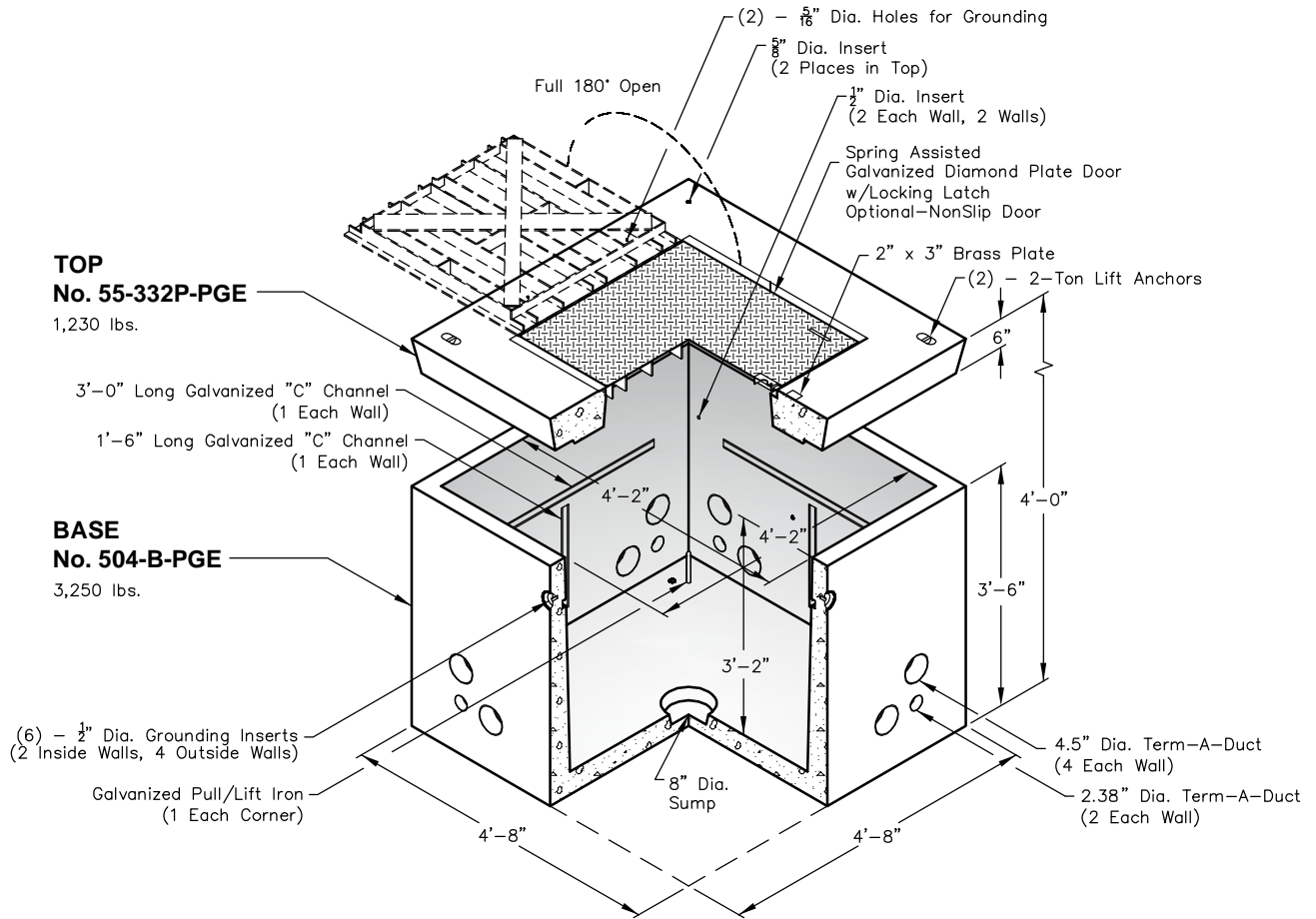
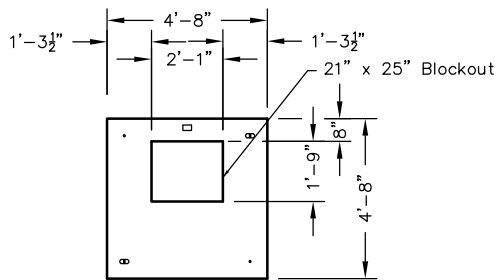


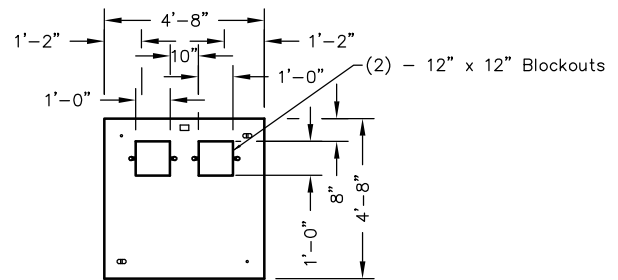
**Single Phase Switch Vault**  
**Single Phase Padmount Transformer Vault - 25 & 50 kVA**  
**Three Phase Mini-Pak Transformer Vault**



**OPTIONAL TOPS**




**SINGLE PHASE TRANSFORMER PADMOUNT**  
 No. 55-2125-PGE  
 1,540 lbs.



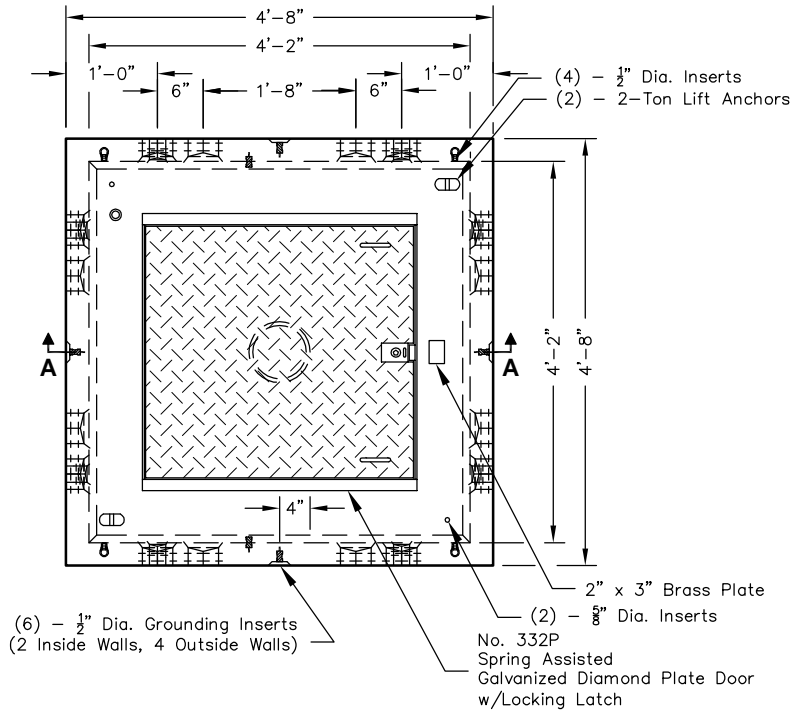
**Mini-Pak**  
**THREE PHASE TRANSFORMER PADMOUNT**  
 No. 55-2-1212-PGE  
 1,590 lbs.

Note: Designed for 0 to 5'-0" of Cover

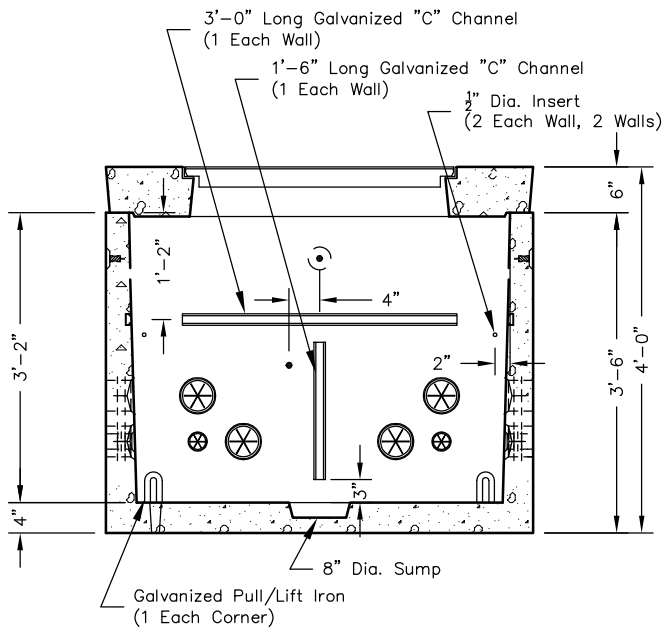
PGE L26100 1-5-12

 PO Box 323, Wilsonville, Oregon 97070-0323 Tel: (503) 682-2844 Fax: (503) 682-2657	<b>504-PGE</b>	<b>504-PGE</b> <b>56 x 56 x 48</b>
	File Name: 020-504PGE	
	Issue Date: 2018	
	<a href="http://oldcastleprecast.com/wilsonville">oldcastleprecast.com/wilsonville</a>	

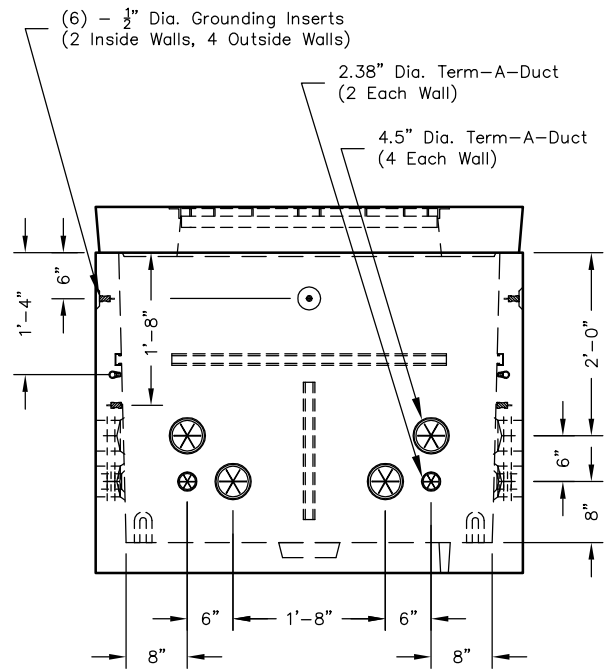
# 504-PGE



**PLAN VIEW**




**SECTION AA**



**END VIEW**

PGE L26100 1-5-12

 <b>Oldcastle Precast®</b> PO Box 323, Wilsonville, Oregon 97070-0323 Tel: (503) 682-2844 Fax: (503) 682-2657	<b>504-PGE</b>	<b>504-PGE</b> <b>56 x 56 x 48</b>
	File Name: 020-504PGE	
	Issue Date: 2018	
	<a href="http://oldcastleprecast.com/wilsonville">oldcastleprecast.com/wilsonville</a>	