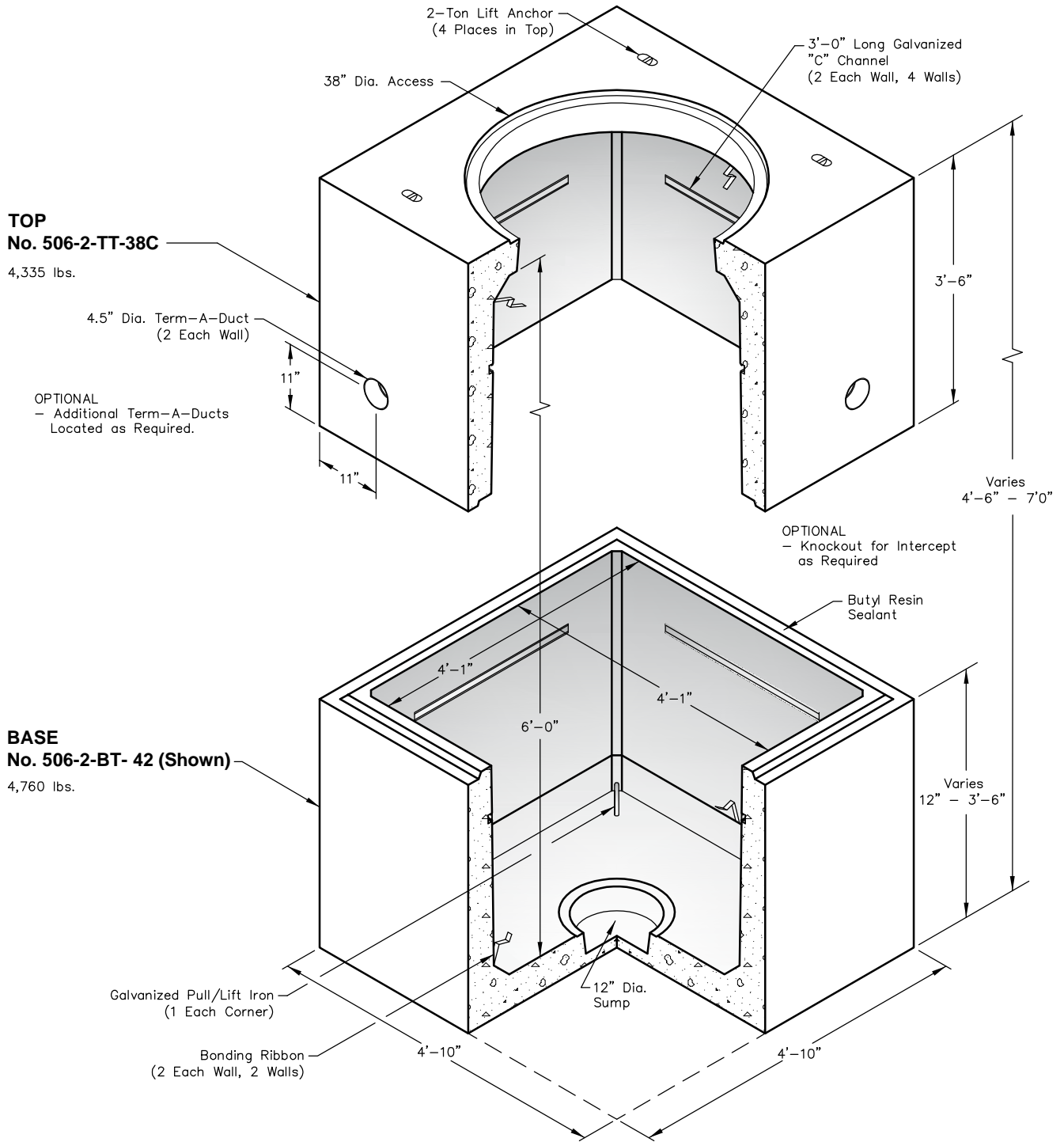



# 506-2-TA



Note: Designed for 0 to 5'-0" of Cover

 <b>Oldcastle Precast®</b> PO Box 323, Wilsonville, Oregon 97070-0323 Tel: (503) 682-2844 Fax: (503) 682-2657	<b>506-2-TA</b>	<b>506-2-TA</b> <b>4 x 4 - 2 PC.</b> <b>COMMUNICATIONS</b>
	File Name: 020-506-2TA	
	Issue Date: 2016	
	<a href="http://oldcastleprecast.com/wilsonville">oldcastleprecast.com/wilsonville</a>	