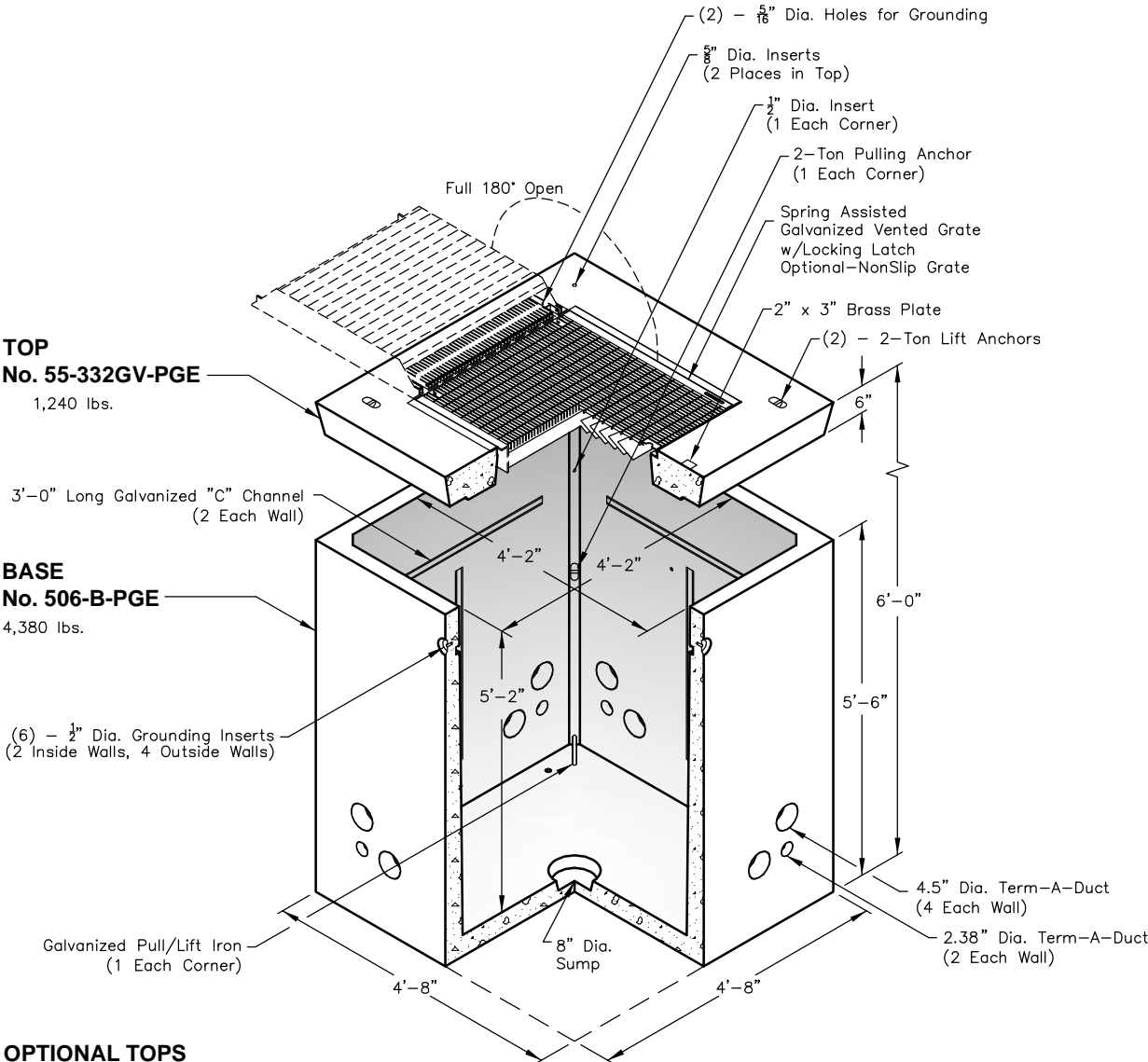
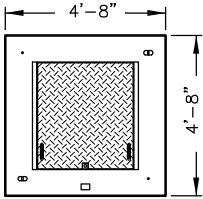


**Single Phase Submersible Transformer Vault
(without Primary Junctions, Sizes through 167 kVA)**




OPTIONAL TOPS



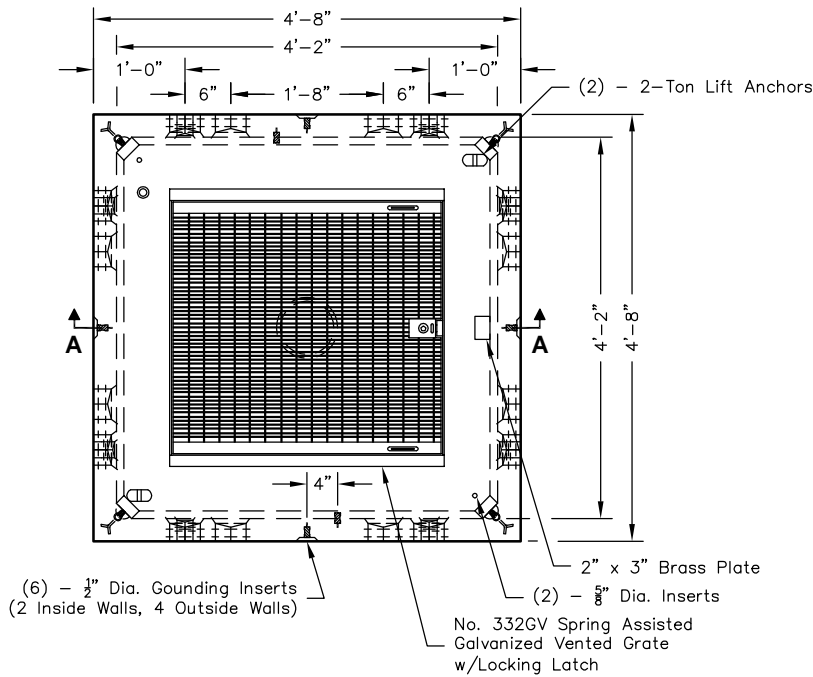
LOCKING GALV. STEEL DOOR
No. 55-332P-PGE
1,230 lbs.

Note: Designed for 0 to 5'-0" of Cover

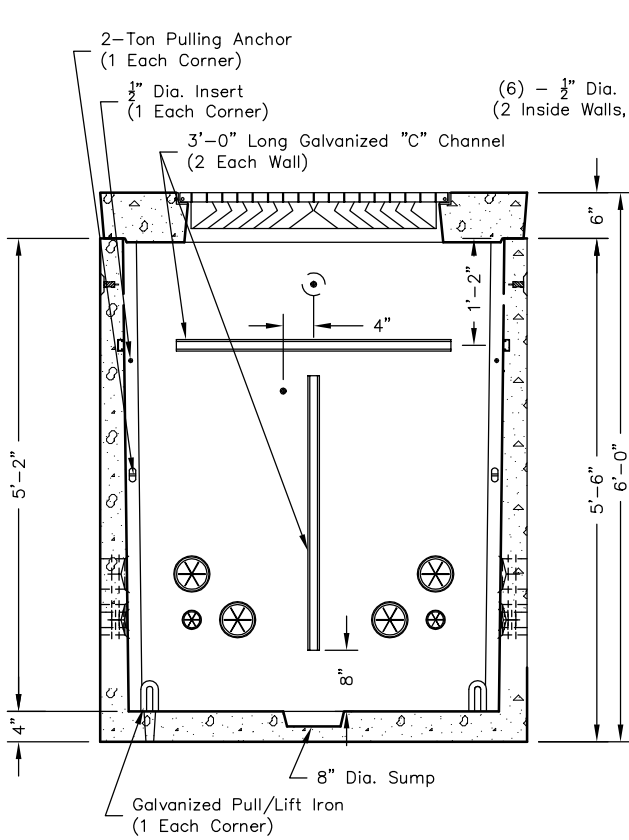
PGE L26100 1-5-12

 <p>PO Box 323, Wilsonville, Oregon 97070-0323 Tel: (503) 682-2844 Fax: (503) 682-2657</p>	<p>506-PGE</p>	<p>506-PGE 56 x 56 x 72</p>
	File Name: 020-506PGE	
	Issue Date: 2018	
	oldcastleprecast.com/wilsonville	

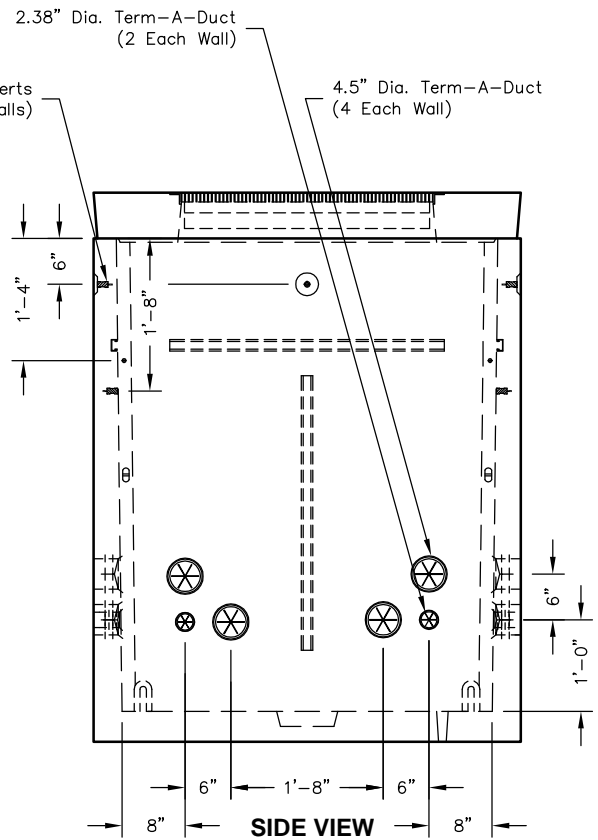
506-PGE



PLAN VIEW




SECTION AA



SIDE VIEW

PGE L26100 1-5-12

 <p>PO Box 323, Wilsonville, Oregon 97070-0323 Tel: (503) 682-2844 Fax: (503) 682-2657</p>	<h2>506-PGE</h2>	<h2>506-PGE</h2> <h3>56 x 56 x 72</h3>
	File Name: 020-506PGE	
	Issue Date: 2018	
	oldcastleprecast.com/wilsonville	