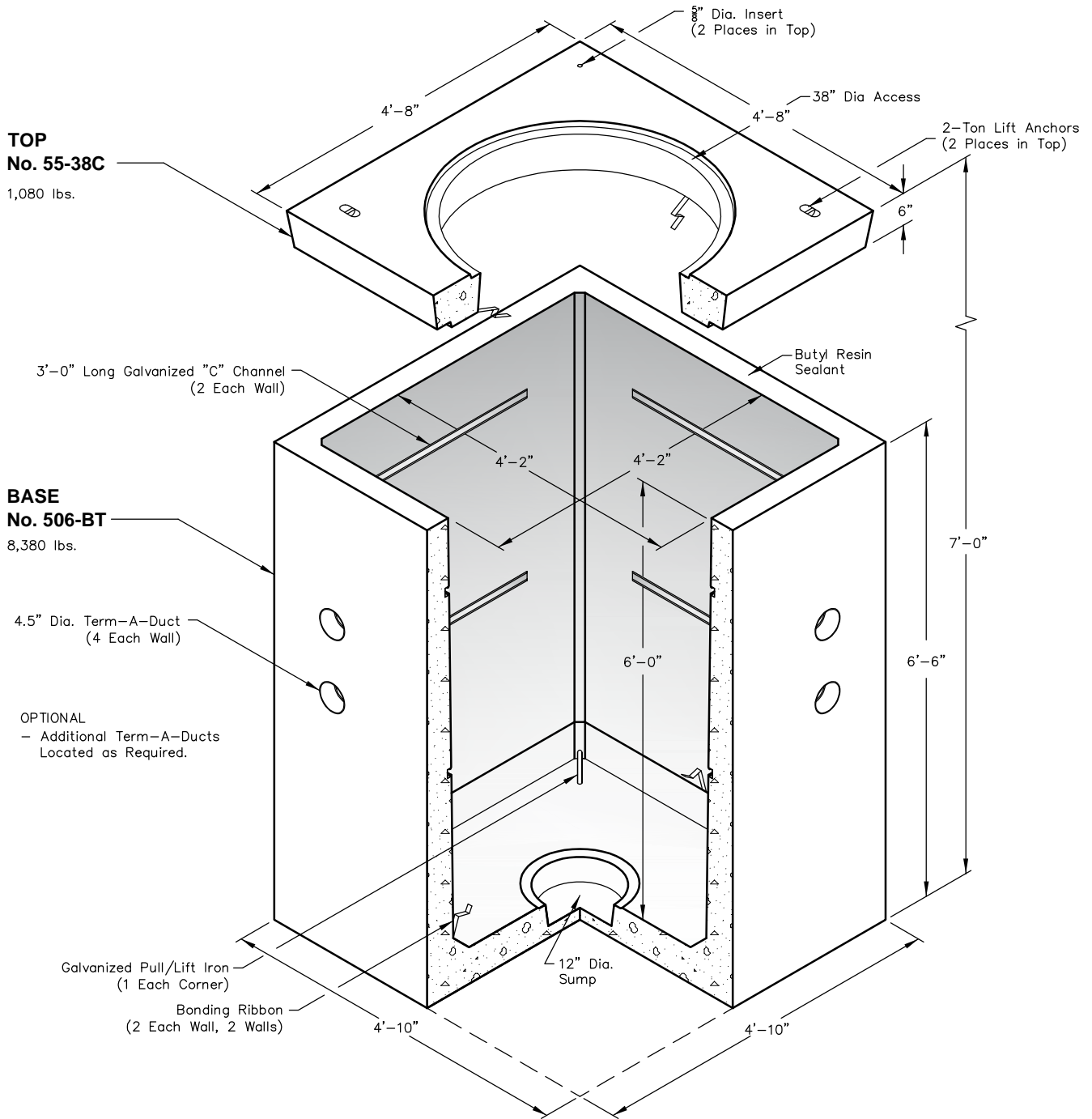



507-TA



Note: Designed for 0 to 5'-0" of Cover

 Oldcastle Precast® PO Box 323, Wilsonville, Oregon 97070-0323 Tel: (503) 682-2844 Fax: (503) 682-2657	507-TA	507-TA 4 x 4 x 6 COMMUNICATIONS
	File Name: 020-507TA	
	Issue Date: 2016	
	oldcastleprecast.com/wilsonville	