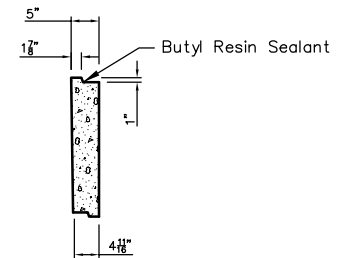
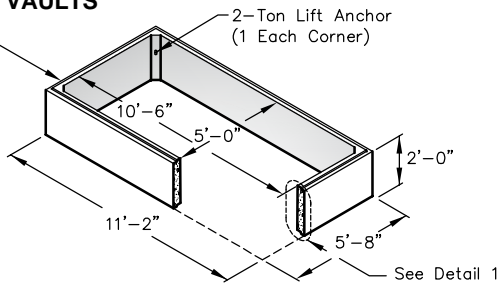


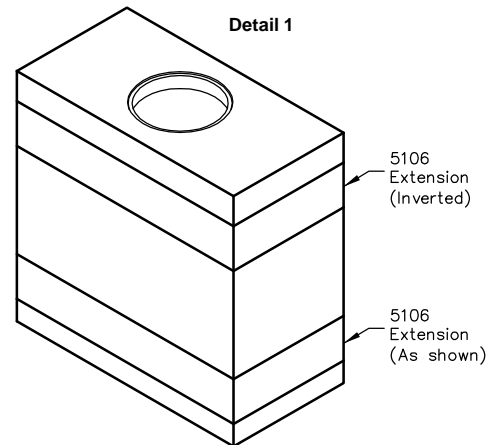
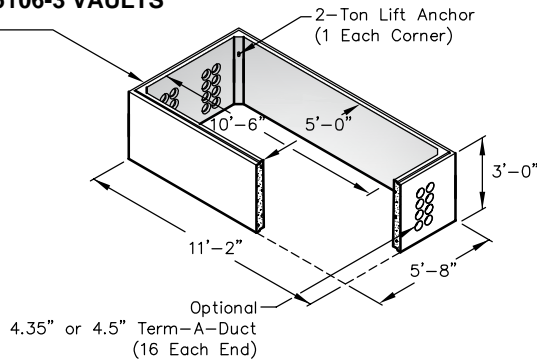
5106 / 612 EXTENSIONS

**24" EXTENSION
FOR 5106-1 & 5106-3 VAULTS
No. 5106-2X**
3,760 lbs.

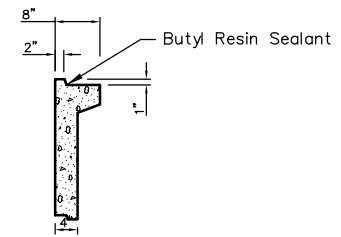
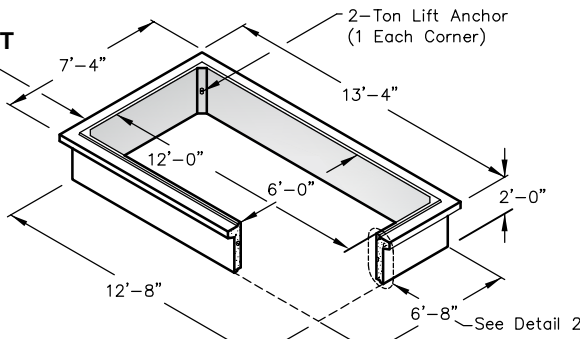


Detail 1

**36" EXTENSION
FOR 5106-1, 5106-3 VAULTS
No. 5106-3X**
5,520 lbs.

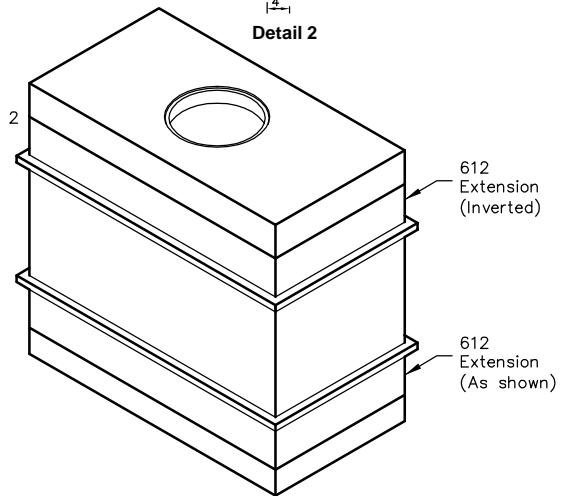
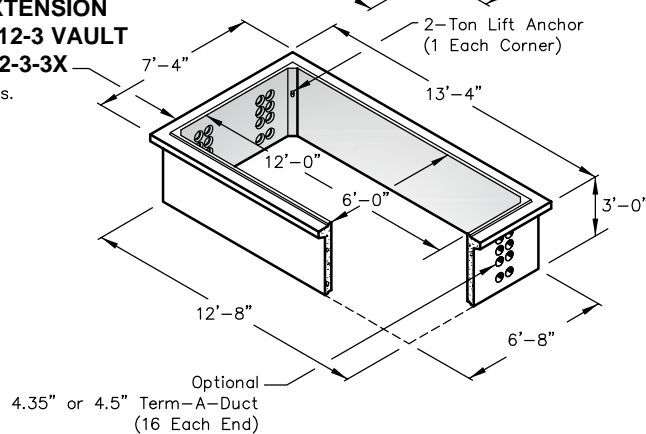


**24" EXTENSION
FOR 612-3 VAULT
No. 612-3-2X**
4,440 lbs.



Detail 2

**36" EXTENSION
FOR 612-3 VAULT
No. 612-3-3X**
6,420 lbs.



Note:
- 5106-2X/3X & 612-2X/3X may be placed between base and middle section and/or middle and top section.



PO Box 323, Wilsonville, Oregon 97070-0323
Tel: (503) 682-2844 Fax: (503) 682-2657

5106/612 EXTENSIONS

File Name: 020-5106-612X

Issue Date: 2016

oldcastleprecast.com/wilsonville

**5106 2X / 3X EXTENSION
612 2X / 3X EXTENSION**