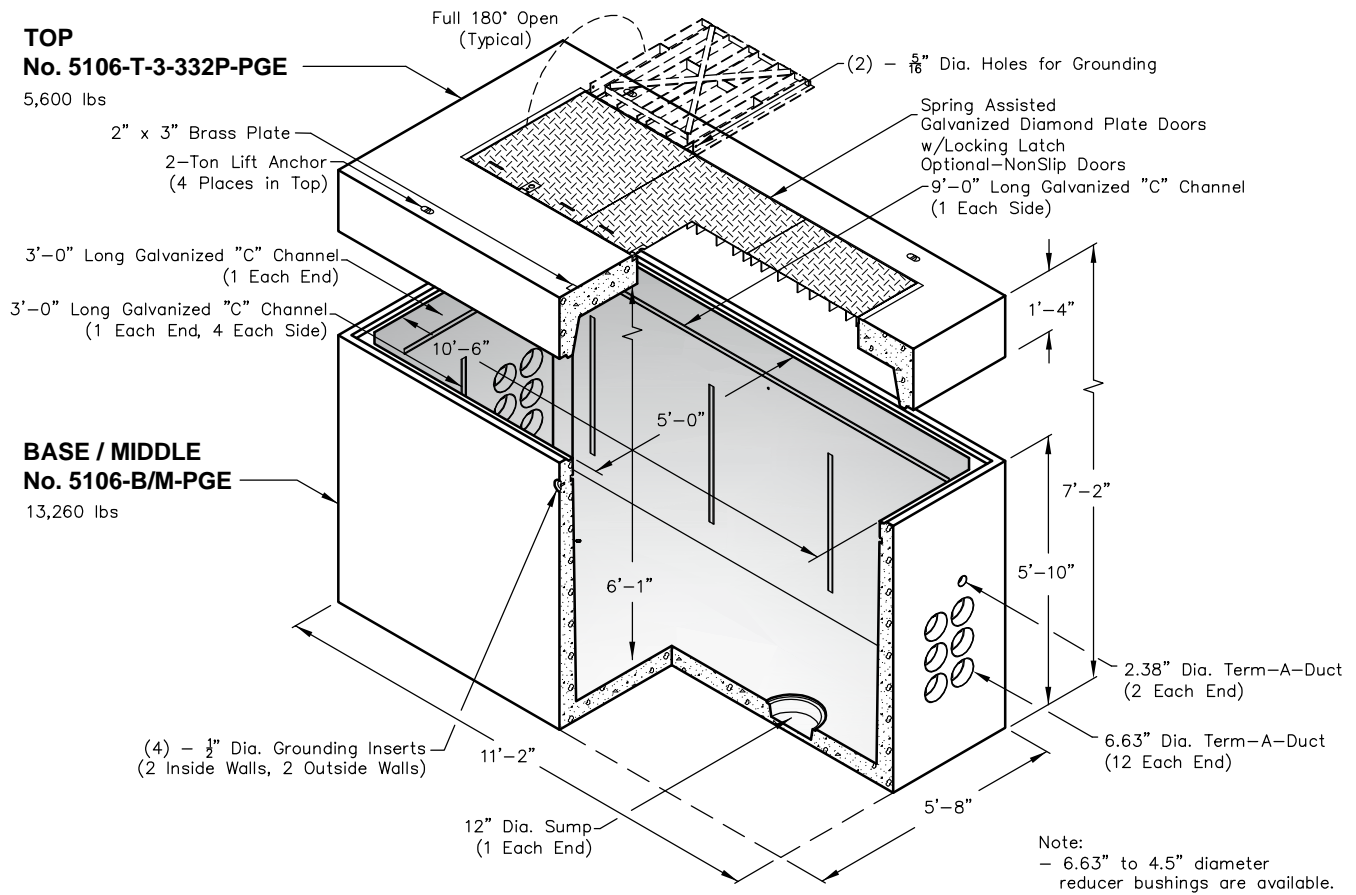
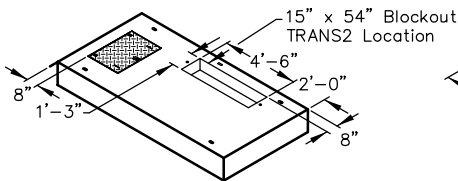


Feeder Circuit Switch Vault Three Phase Padmount Transformer Vault - 500 kVA-1500 kVA



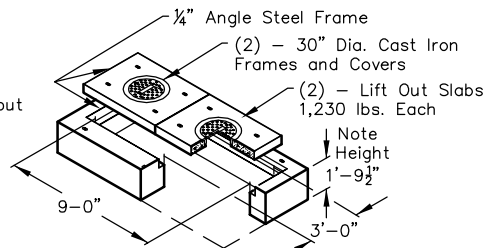
OPTIONAL TOPS

THREE PHASE PADMOUNT TRANSFORMER VAULT
500kVA - 1,500kVA



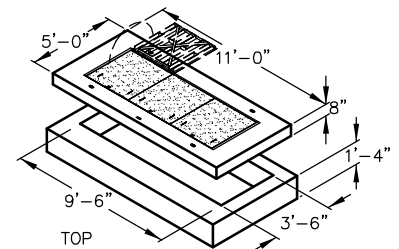
No. 5106-T-2436P-TRANS2-PGE
6,780 lbs.

FEEDER CIRCUIT SWITCH VAULT (HEAVY DUTY)



No. 5106-T-LIFTOUT SLABS-PGE
Clear Opening: 3'-0" x 9'-0"
9,290 lbs.

ADJUSTABLE TOP SLAB
Allows for Future Grade Adjustments
LOCKING GALV. NONSLIP STEEL DOORS
No. 5106-AT-3-332P-NS-PGE (Shown)
3,640 lbs.



TOP
No. 5106-T-42/114
4,800 lbs.

Note: Designed for 0 to 5'-0" of Cover

PGE L26100 1-5-12



PO Box 323, Wilsonville, Oregon 97070-0323
Tel: (503) 682-2844 Fax: (503) 682-2657

5106-PGE

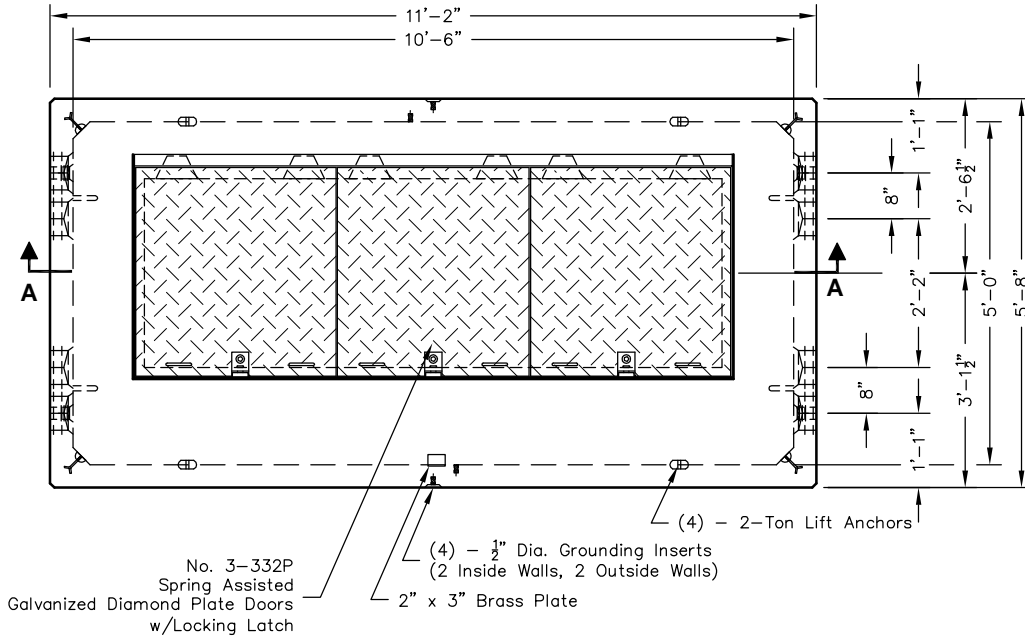
File Name: 020-51061PGE

Issue Date: 2018

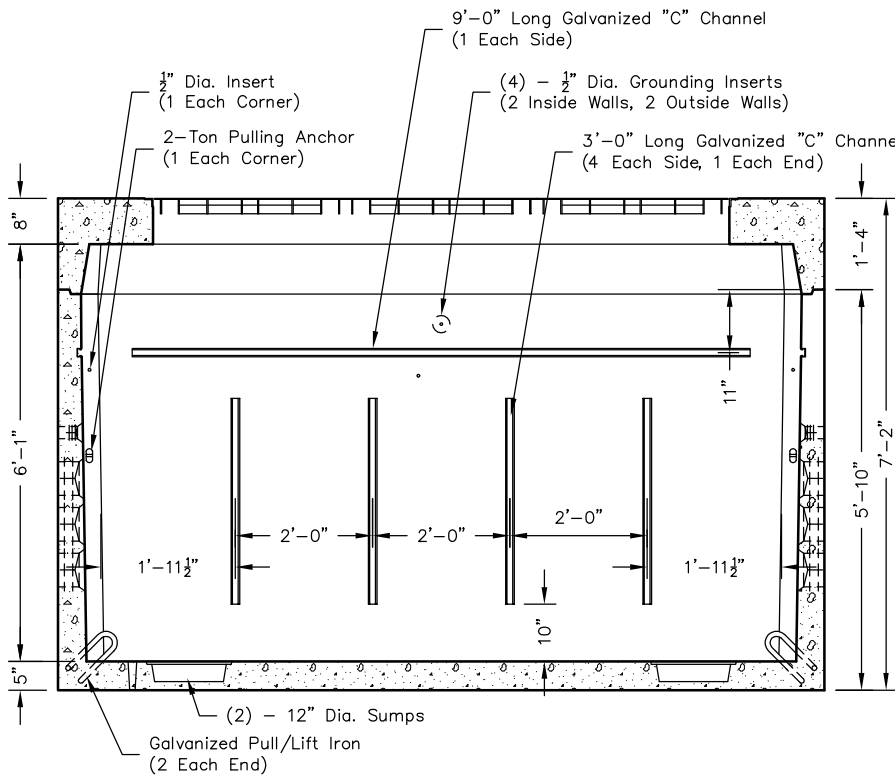
oldcastleprecast.com/wilsonville

5106-PGE
68 x 134 x 86

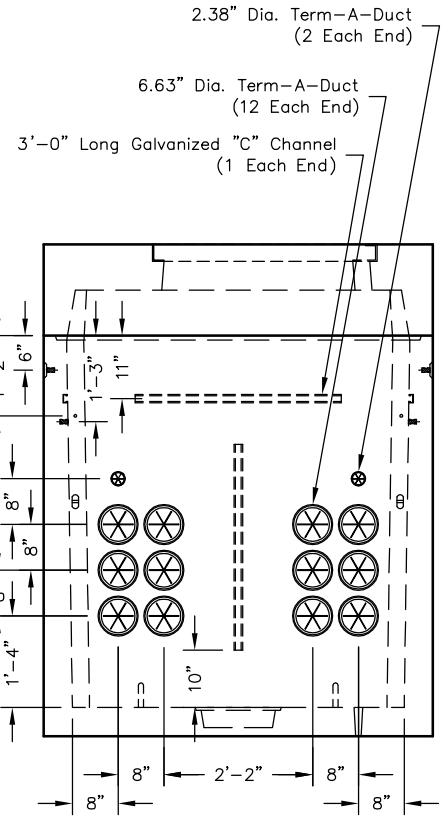
5106-PGE



PLAN VIEW




SECTION AA



END VIEW

Note:
- 6.63" to 4.5" diameter reducer bushings are available.

PGE L26100 1-5-12

 Oldcastle Precast® PO Box 323, Wilsonville, Oregon 97070-0323 Tel: (503) 682-2844 Fax: (503) 682-2657	5106-PGE	5106-PGE 68 x 134 x 86
	File Name: 020-51061PGE	
	Issue Date: 2018	
	oldcastleprecast.com/wilsonville	