

FRONTIER 5 x 10.5

TOP

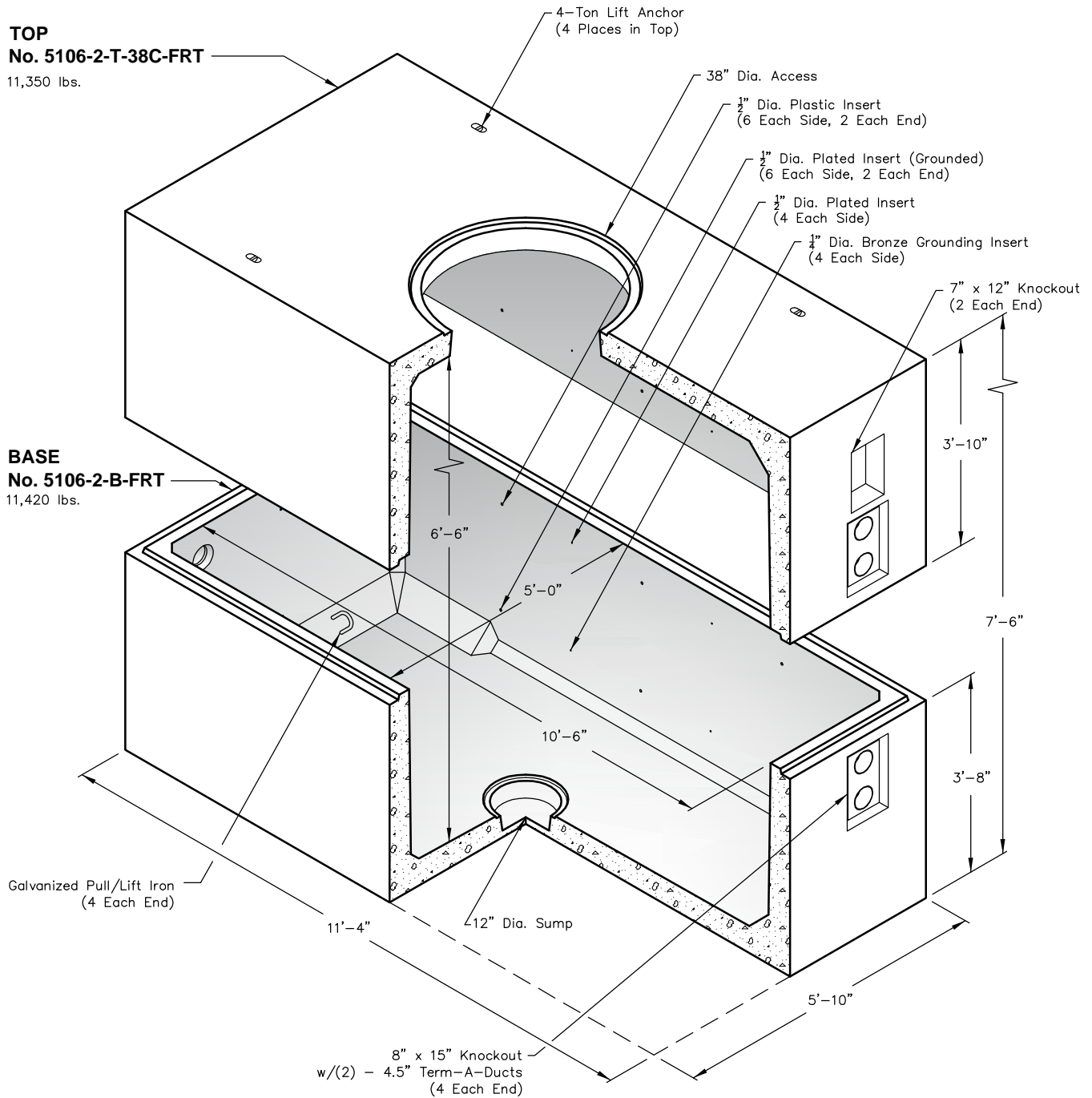
No. 5106-2-T-38C-FRT

11,350 lbs.

BASE


No. 5106-2-B-FRT

11,420 lbs.

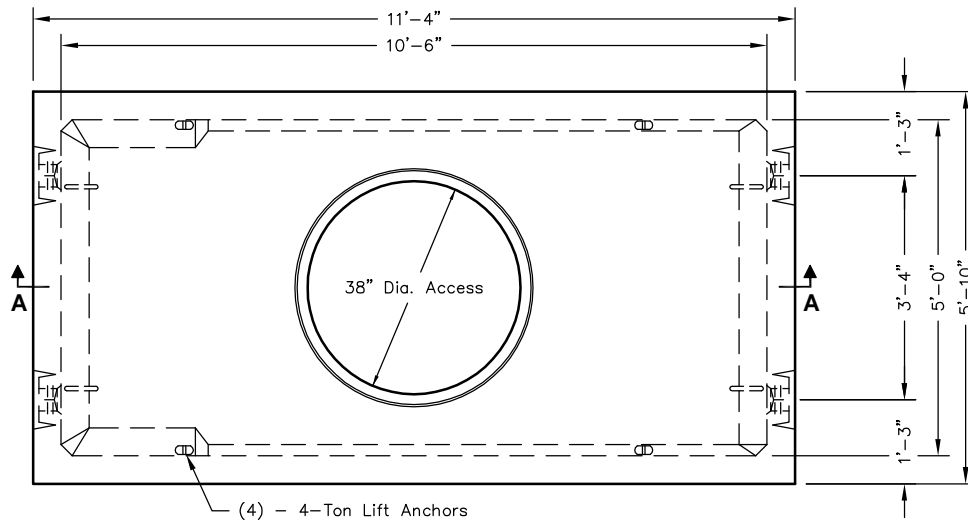


Note:
 - Frontier racking not shown.
 - Interior Painted "White".

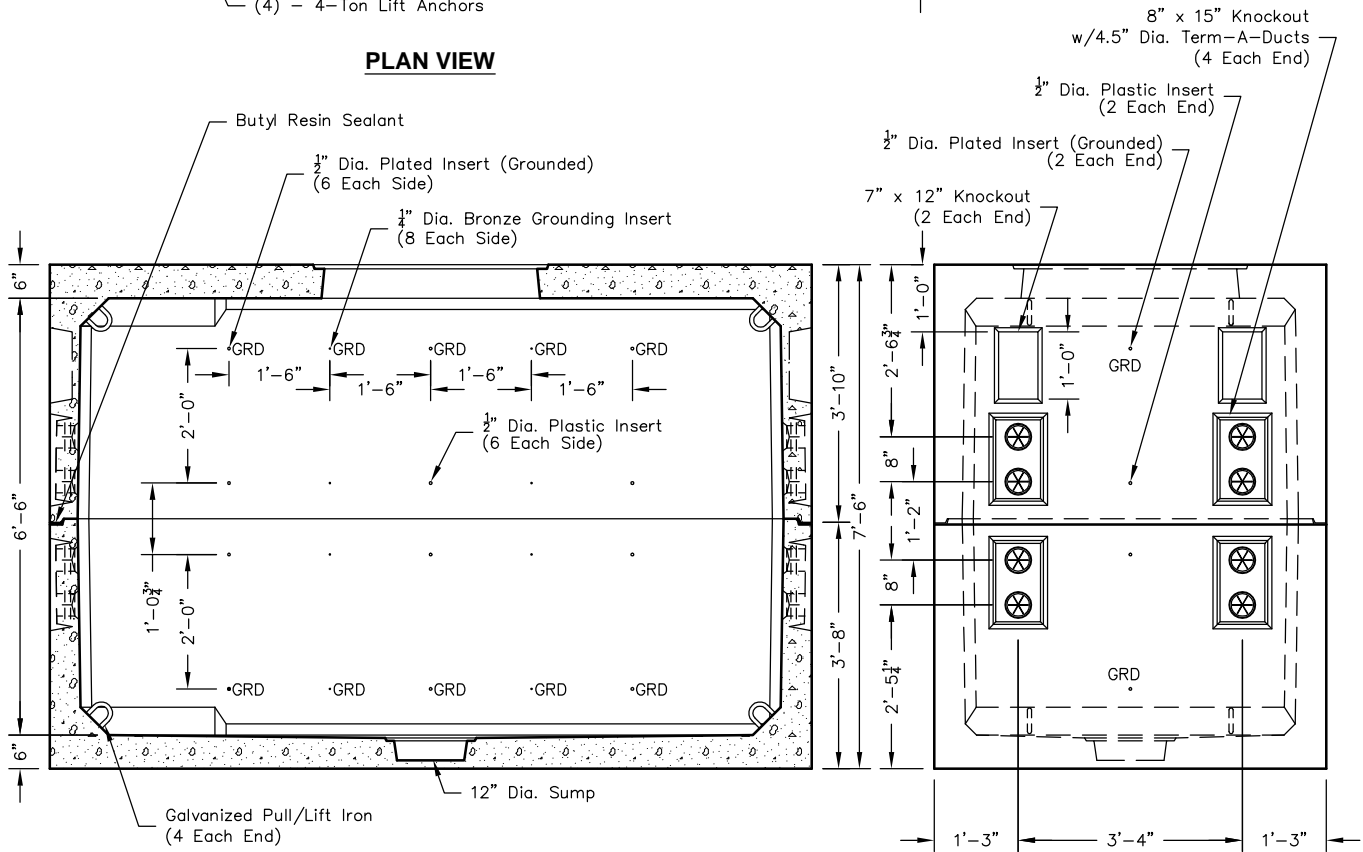
Note: Designed for 0 to 5'-0" of Cover

 <p>PO Box 323, Wilsonville, Oregon 97070-0323 Tel: (503) 682-2844 Fax: (503) 682-2657</p>	<p>FRONTIER 5 x 10.5</p>	<p>FRONTIER 5 x 10.5 FRONTIER CODE: 180016 FRONTIER CODE: 180017</p>
	<p>File Name: 020-5106FRONTIER</p>	
	<p>Issue Date: 2016</p>	
	<p>oldcastleprecast.com/wilsonville</p>	

FRONTIER 5 x 10.5




PLAN VIEW



SECTION AA

END VIEW

 <p>PO Box 323, Wilsonville, Oregon 97070-0323 Tel: (503) 682-2844 Fax: (503) 682-2657</p>	<p>FRONTIER 5 x 10.5</p>	<p>FRONTIER 5 x 10.5</p>
	<p>File Name: 020-5106FRONTIER</p>	<p>FRONTIER CODE: 180016</p>
	<p>Issue Date: 2016</p>	<p>FRONTIER CODE: 180017</p>
	<p>oldcastleprecast.com/wilsonville</p>	