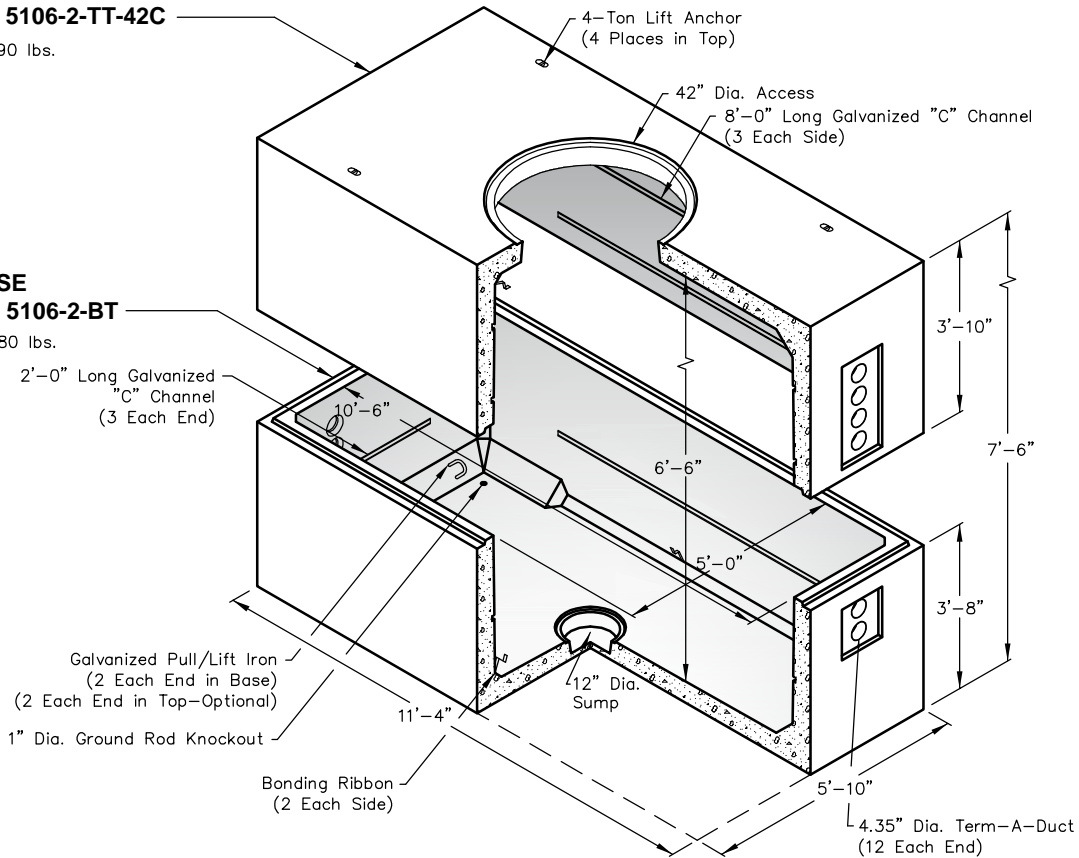


5106-2-TA

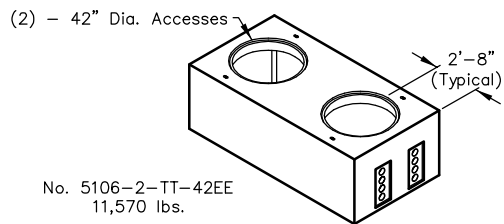
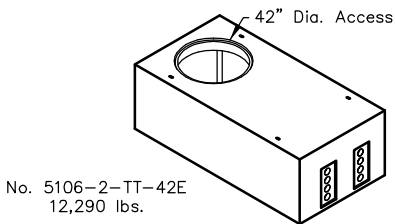
TOP
No. 5106-2-TT-42C
 12,290 lbs.

BASE
No. 5106-2-BT
 12,280 lbs.




OPTIONAL
 - Additional Term-A-Ducts Located as Required.

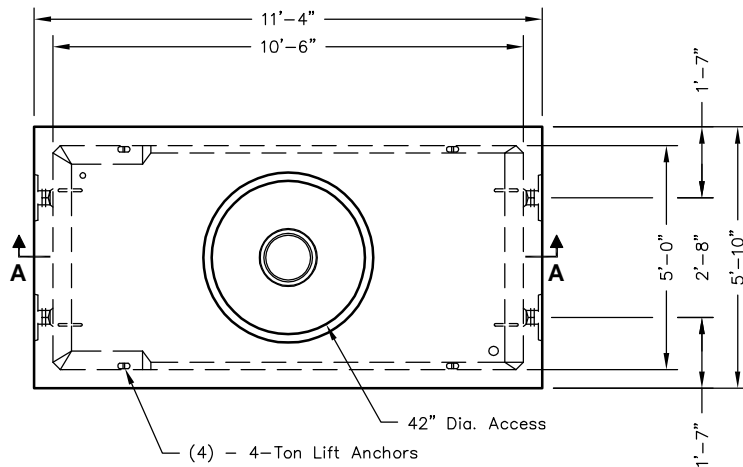
OPTIONAL TOPS



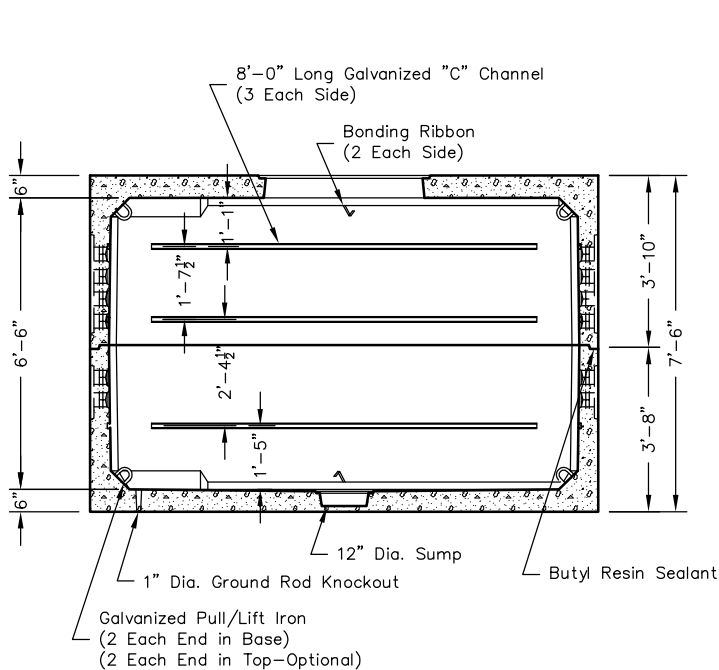
Note: Designed for 0 to 5'-0" of Cover

 <p>PO Box 323, Wilsonville, Oregon 97070-0323 Tel: (503) 682-2844 Fax: (503) 682-2657</p>	5106-2-TA	5106-2-TA 5 x 10 - 2 PC. COMMUNICATIONS
	File Name: 020-5106TA2	
	Issue Date: 2016	
	oldcastleprecast.com/wilsonville	

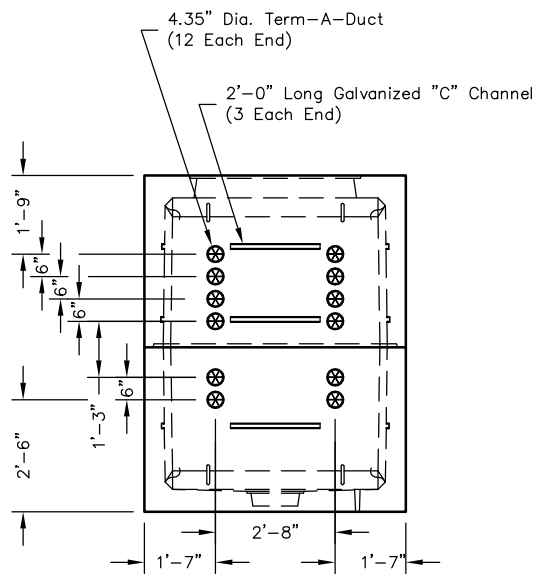
5106-2-TA



PLAN VIEW



SECTION AA



END VIEW



PO Box 323, Wilsonville, Oregon 97070-0323
 Tel: (503) 682-2844 Fax: (503) 682-2657

020-5106TA2

File Name: 020UTT5106TA22

Issue Date: 2016

oldcastleprecast.com/wilsonville

**5106-2-TA
 5 x 10 - 2 PC.
 COMMUNICATIONS**