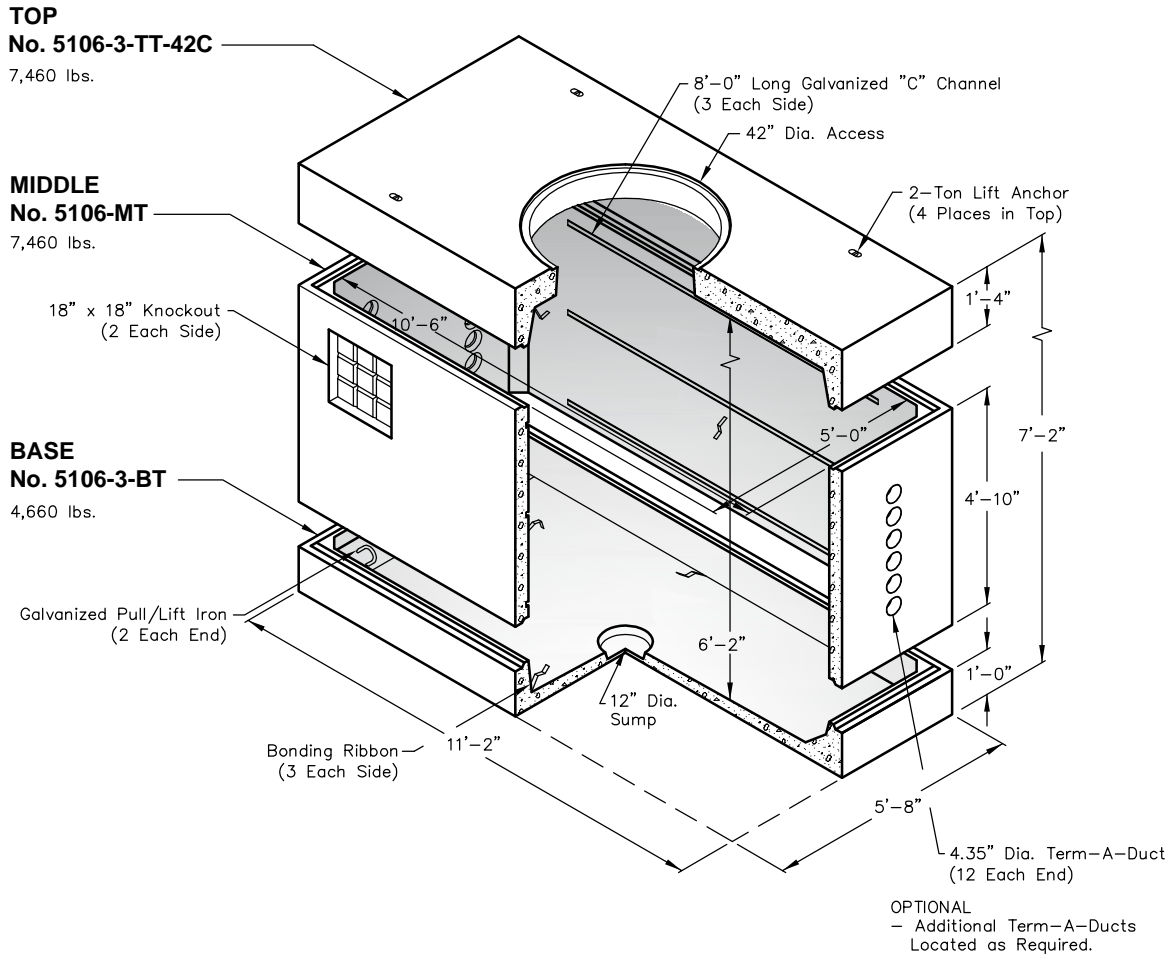
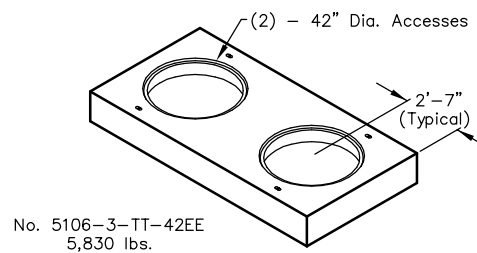
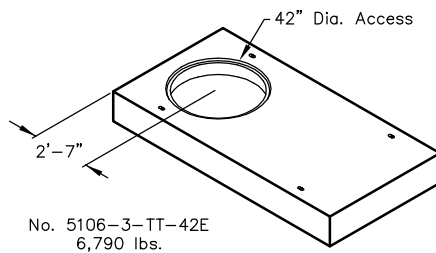



5106-3-TA



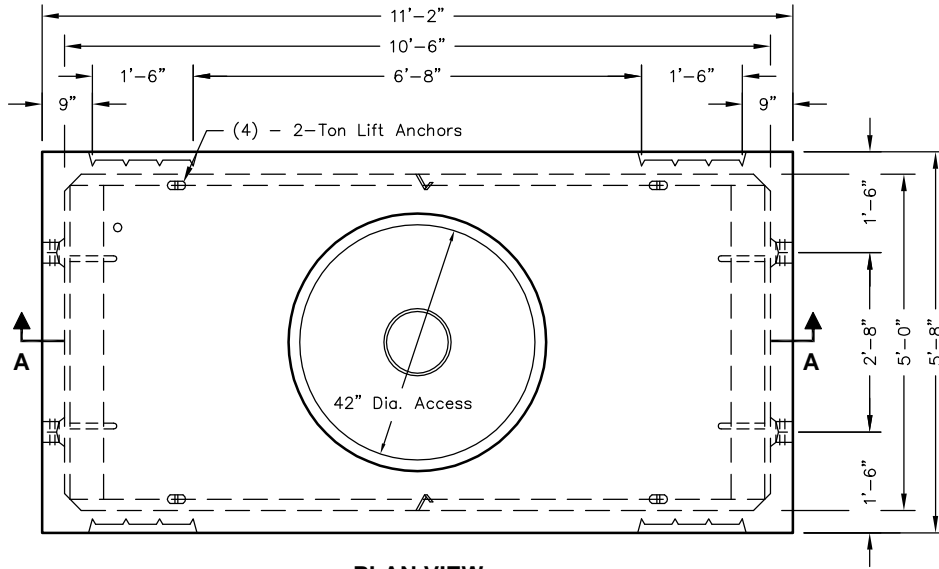
OPTIONAL TOPS



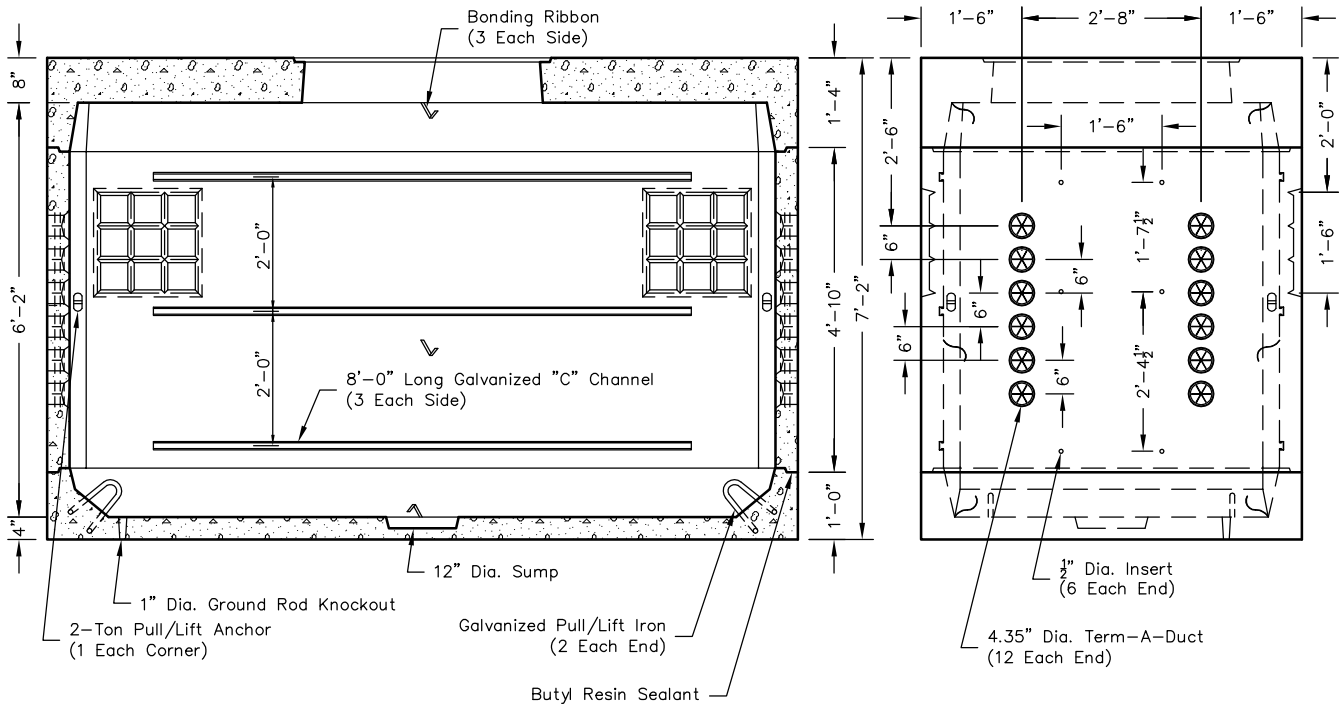
Note: Designed for 0 to 5'-0" of Cover

 Oldcastle Precast® PO Box 323, Wilsonville, Oregon 97070-0323 Tel: (503) 682-2844 Fax: (503) 682-2657	5106-3-TA	5106-3-TA 5 x 10 - 3 PC. COMMUNICATIONS
	File Name: 020-5106TA3	
	Issue Date: 2016	
	oldcastleprecast.com/wilsonville	

5106-3-TA




PLAN VIEW



SECTION AA

END VIEW

 Oldcastle Precast® PO Box 323, Wilsonville, Oregon 97070-0323 Tel: (503) 682-2844 Fax: (503) 682-2657	5106-3-TA	5106-3-TA 5 x 10 - 3 PC. COMMUNICATIONS
	File Name: 020-5106TA3	
	Issue Date: 2016	
	oldcastleprecast.com/wilsonville	