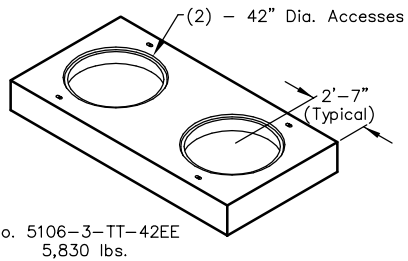
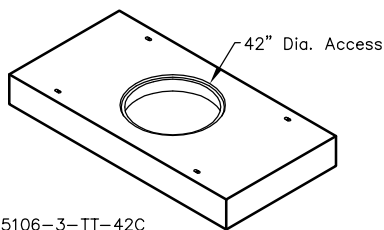



OPTIONAL
 - Additional Term-A-Ducts Located as Required.

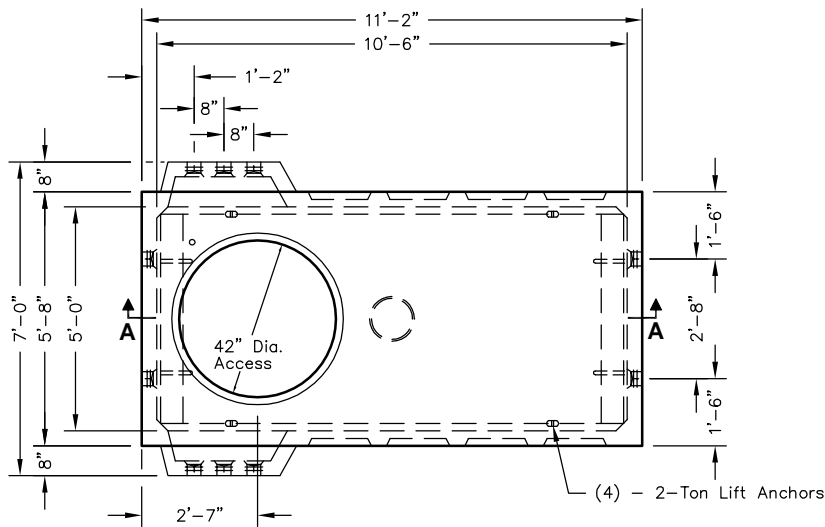
OPTIONAL TOPS



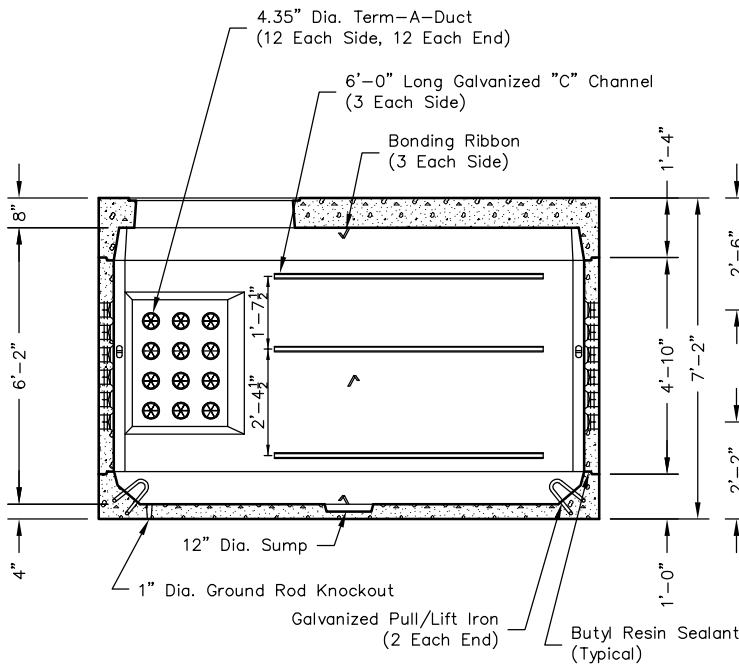
Note: Designed for 0 to 5'-0" of Cover

 PO Box 323, Wilsonville, Oregon 97070-0323 Tel: (503) 682-2844 Fax: (503) 682-2657	5106-3-TCA	5106-3-TCA 5 x 10 - 3 PC. COMMUNICATIONS
	File Name: 020-5106TCA3	
	Issue Date: 2016	
	oldcastleprecast.com/wilsonville	

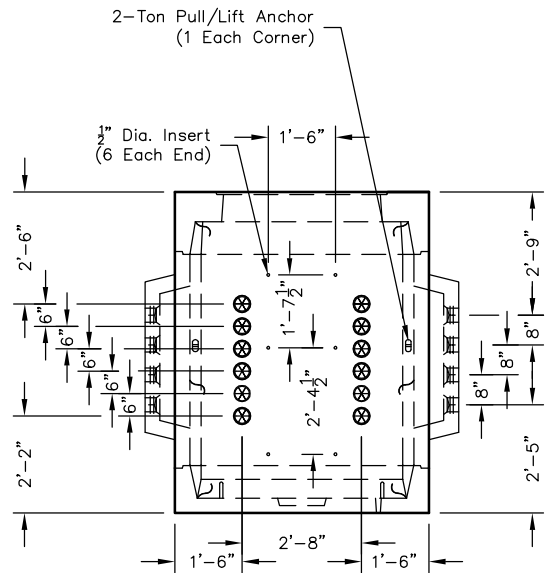
5106-3-TCA




PLAN VIEW



SECTION AA



END VIEW

 <p>PO Box 323, Wilsonville, Oregon 97070-0323 Tel: (503) 682-2844 Fax: (503) 682-2657</p>	<p>5106-3-TCA</p>	<p>5106-3-TCA 5 x 10 - 3 PC. COMMUNICATIONS</p>
	File Name: 020-5106TCA3	
	Issue Date: 2016	
	<p>oldcastleprecast.com/wilsonville</p>	