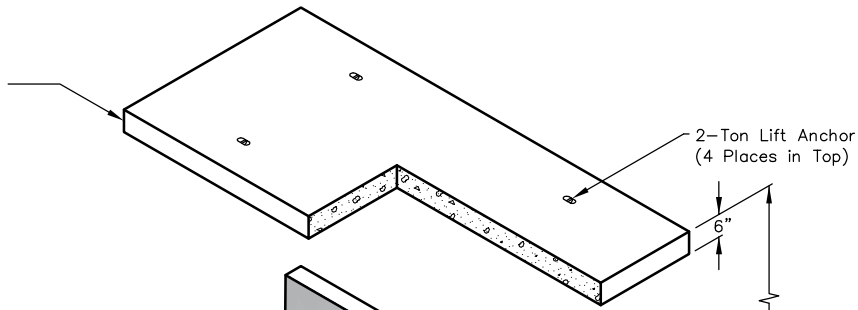
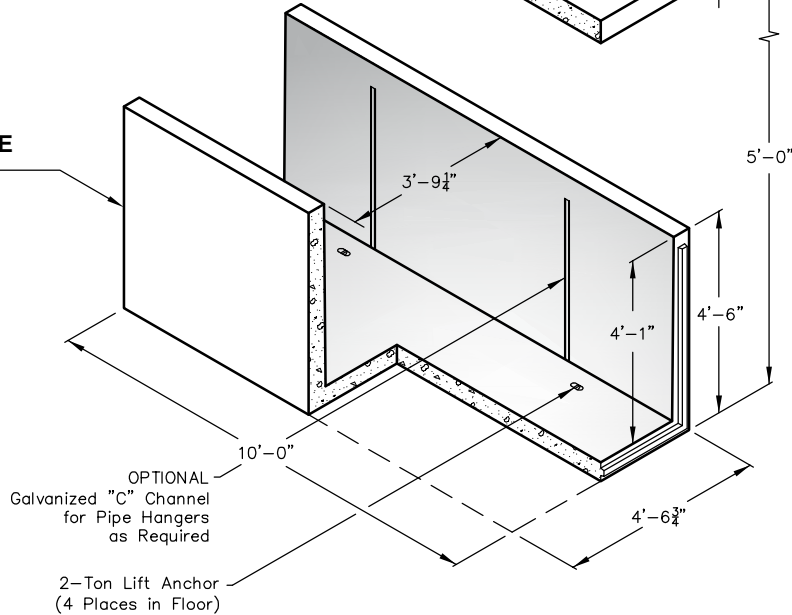


# 5648 / 5672 TRENCH

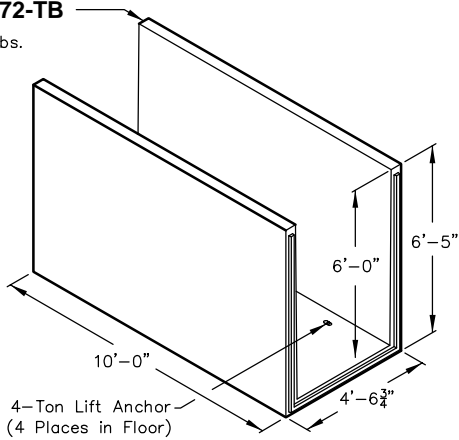
**TRENCH TOP**  
**No. 5648-TT-6**  
 3,700 lbs.




**TRENCH BASE**  
**No. 5648-TB**  
 7,900 lbs.



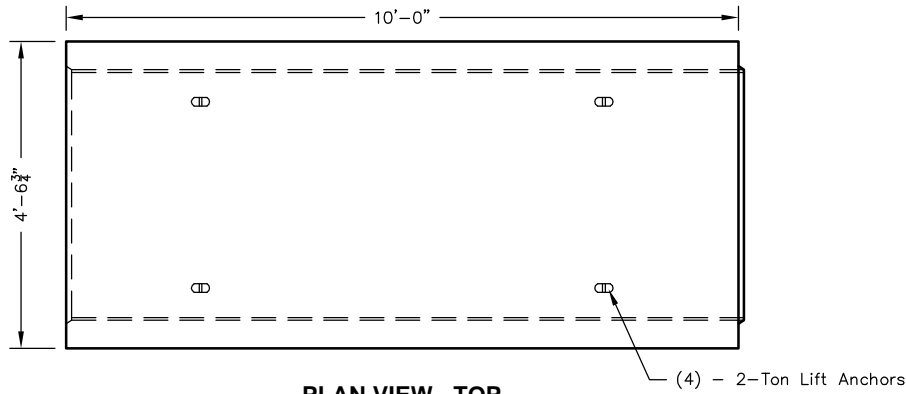
**OPTIONAL**  
**TRENCH BASE**  
**No. 5672-TB**  
 10,350 lbs.



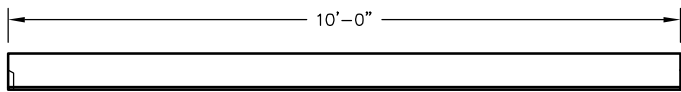
Note: Designed for 0 to 5'-0" of Cover

 PO Box 323, Wilsonville, Oregon 97070-0323 Tel: (503) 682-2844 Fax: (503) 682-2657	<b>5648/5672 TRENCH</b>	<b>5648 / 5672 TRENCH</b> <b>4 x 4, 4 x 6</b>
	File Name: 020-5648TR	
	Issue Date: 2016	
	<a href="http://oldcastleprecast.com/wilsonville">oldcastleprecast.com/wilsonville</a>	

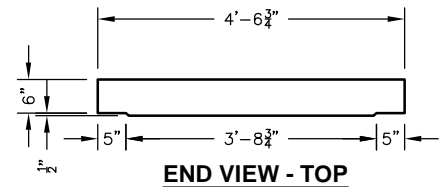
# 5648 / 5672 TRENCH



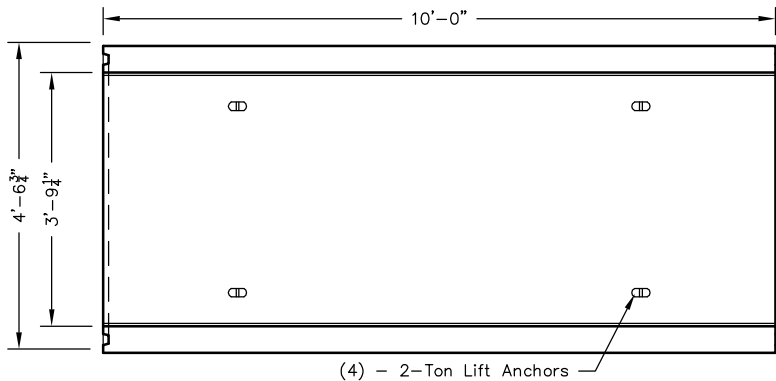
**PLAN VIEW - TOP**



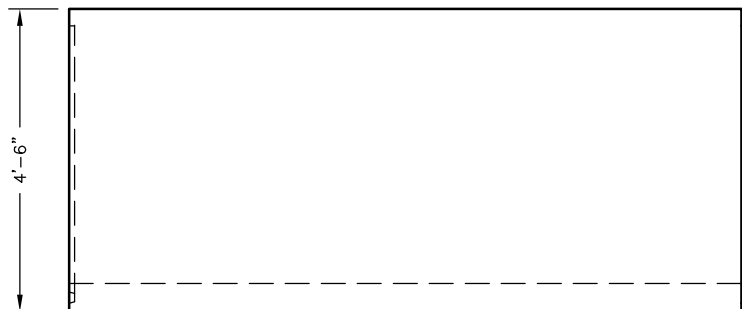
**SIDE VIEW - TOP**



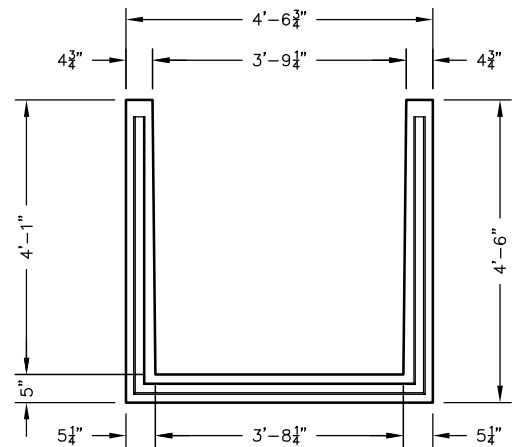
**END VIEW - TOP**



**PLAN VIEW - BASE**



**SIDE VIEW - BASE**



**END VIEW - BASE**

- Notes:
- Customer to grout or caulk joints on vertical plane.
  - Butyl resin sealant supplied for joints on horizontal plane.



PO Box 323, Wilsonville, Oregon 97070-0323  
Tel: (503) 682-2844 Fax: (503) 682-2657

**5648/5672 TRENCH**  
File Name: 020-5648TR  
Issue Date: 2016  
[oldcastleprecast.com/wilsonville](http://oldcastleprecast.com/wilsonville)

**5648 / 5672 TRENCH**  
**4 x 4, 4 x 6**