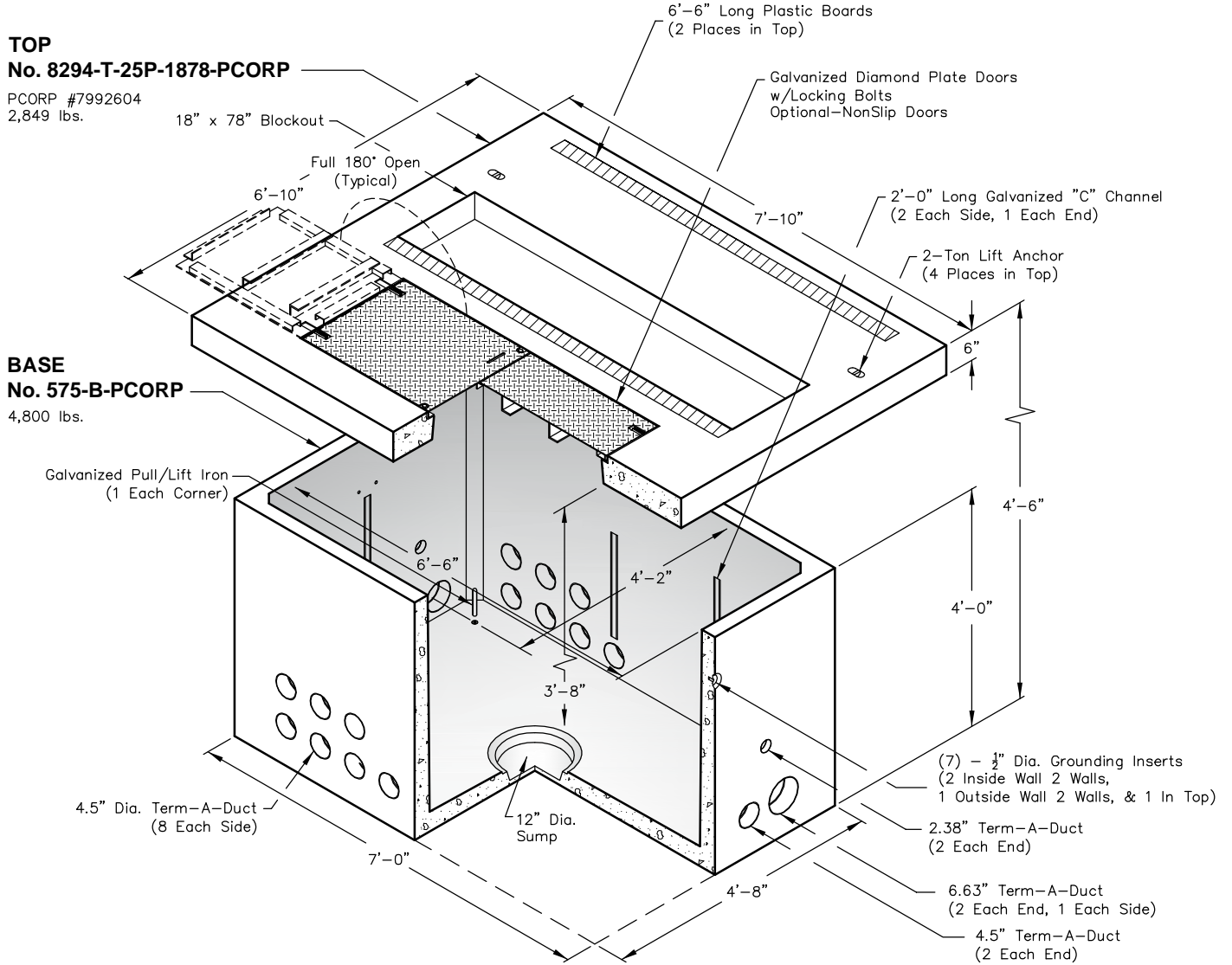



575-FUSE-PCORP

5 x 7, 15/25 kV, 3-Phase Fuse Cabinet Padvault, 3-4 Position, Stock Item 7992604

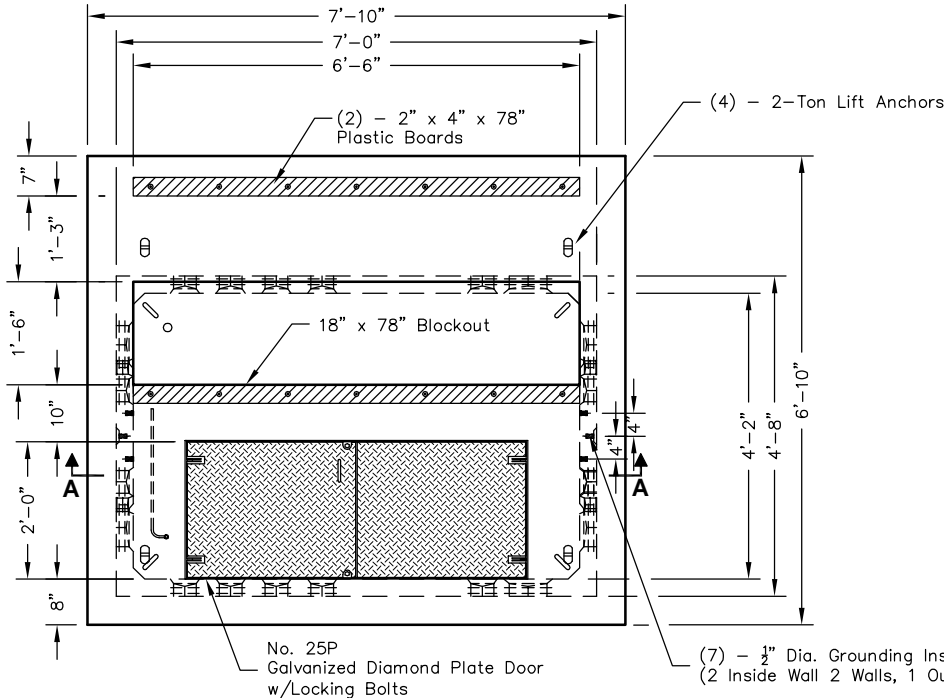


Note: Designed for 0 to 5'-0" of Cover

PCORP ZG621 6-13-13

 PO Box 323, Wilsonville, Oregon 97070-0323 Tel: (503) 682-2844 Fax: (503) 682-2657	575-FUSE-PCORP	575-FUSE-PCORP 5 x 7 PACIFICORP
	File Name: 020-575FUSE	
	Issue Date: 2018	
	oldcastleprecast.com/wilsonville	

575-FUSE-PCORP

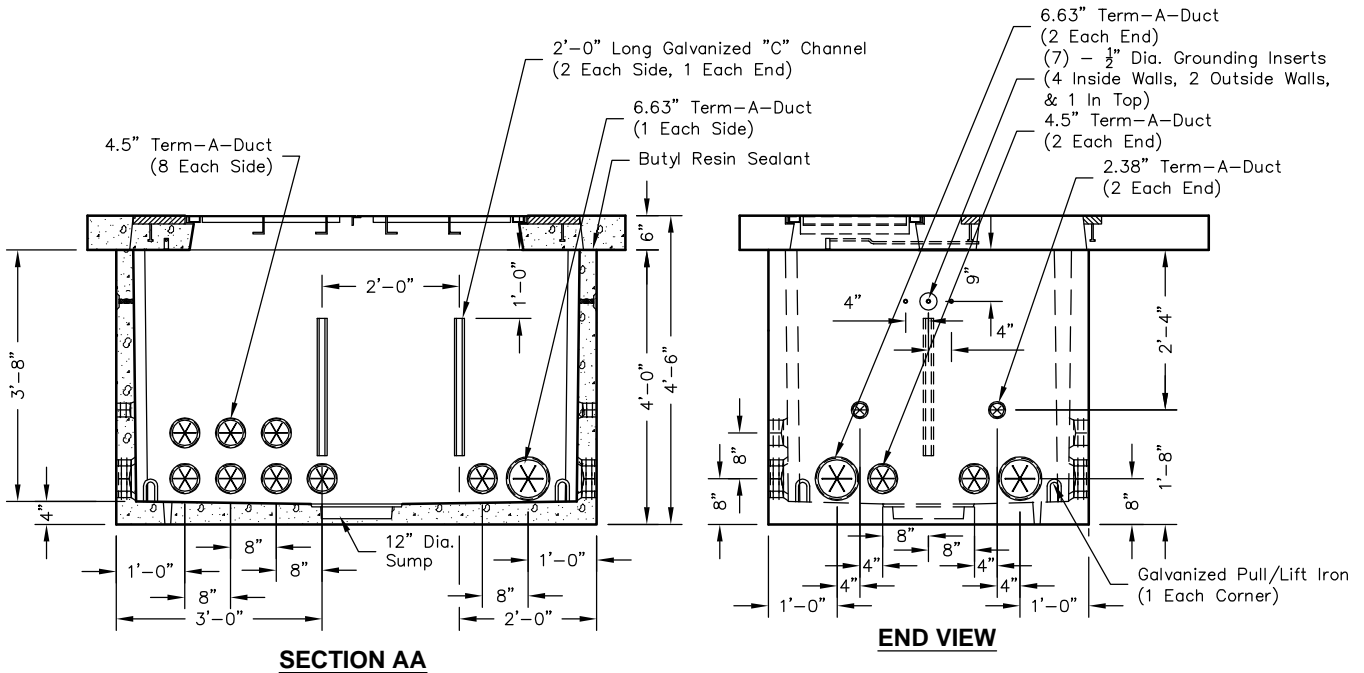


CABINET
HOLD-DOWN CLEAT
(6) - REQUIRED


- 1 1/4" x 2 1/2" Stainless Steel Hold-Down Cleat
- 1/2" x 2" Galvanized Lag Screw
- 1/2" Stainless Steel Belleville Washer

PLAN VIEW

No. 8294-T-25P-1878-PCORP (3-PHASE FUSE TOP)
PCORP #7992604



PCORP ZG621 6-13-13

 <p>PO Box 323, Wilsonville, Oregon 97070-0323 Tel: (503) 682-2844 Fax: (503) 682-2657</p>	<p>575-FUSE-PCORP</p>	<p>575-FUSE-PCORP 5 x 7 PACIFICORP</p>
	<p>File Name: 020-575FUSE</p>	
	<p>Issue Date: 2018</p>	
	<p>oldcastleprecast.com/wilsonville</p>	