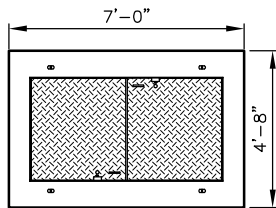
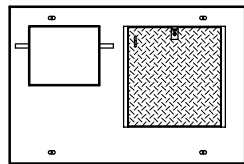


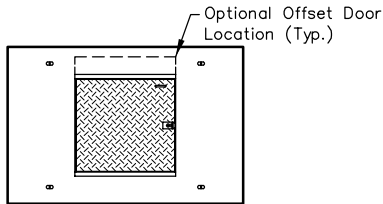
**OPTIONAL TOPS**



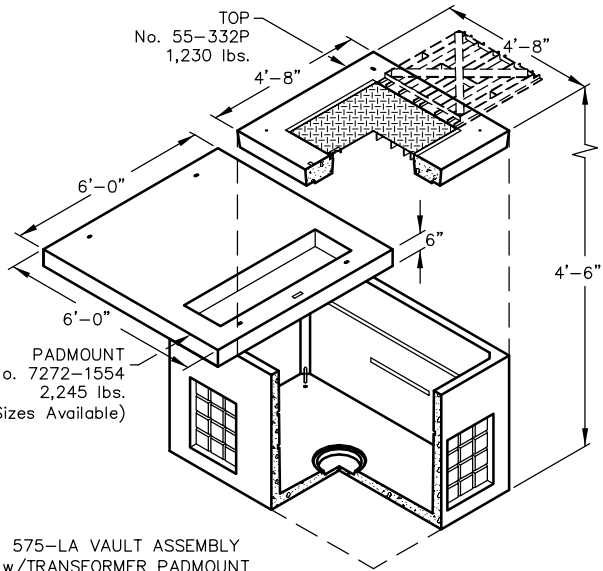
LOCKING GALV. STEEL DOORS  
No. 57-T-2-332P  
2,400 lbs.




PADMOUNT WITH  
LOCKING GALV. STEEL DOOR  
No. 57-T-332P-2125  
2,850 lbs.



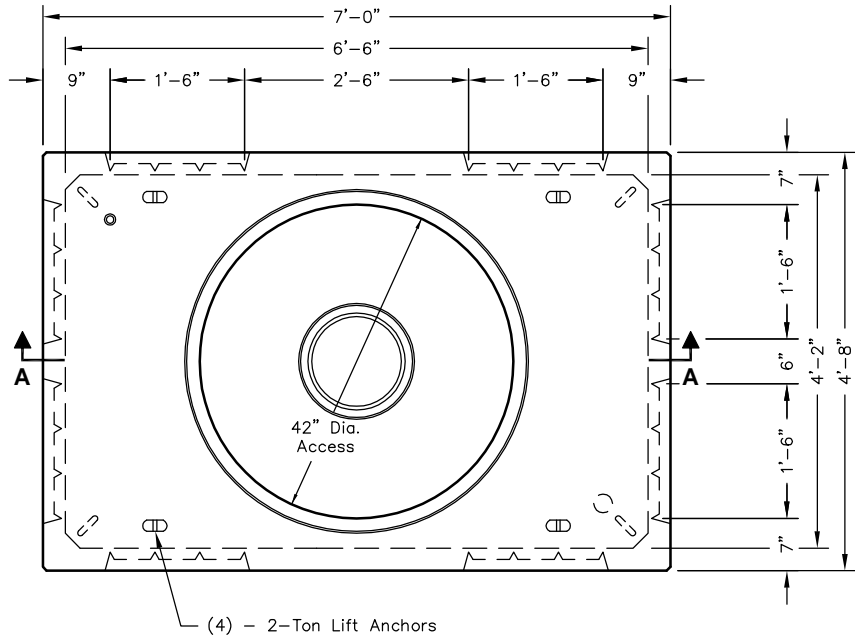
LOCKING GALV. STEEL DOOR  
No. 57-T-332P Center  
3,120 lbs.



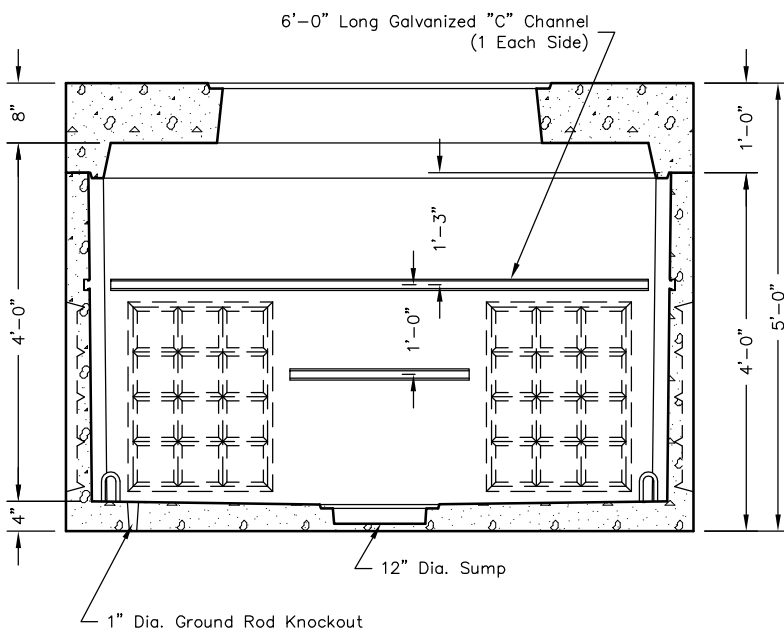
Note: Designed for 0 to 5'-0" of Cover

 <p>PO Box 323, Wilsonville, Oregon 97070-0323 Tel: (503) 682-2844 Fax: (503) 682-2657</p>	<b>575-LA</b>	<b>575-LA</b> <b>4 x 6 x 4</b> <b>POWER / WATER / GAS</b>
	File Name: 020-575LA	
	Issue Date: 2016	
	<a href="http://oldcastleprecast.com/wilsonville">oldcastleprecast.com/wilsonville</a>	

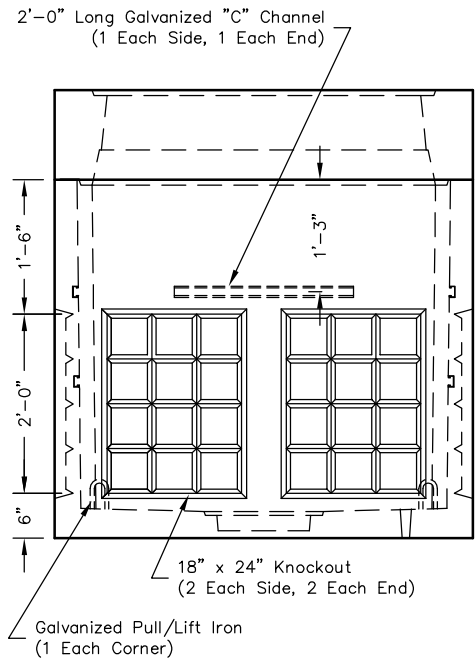
# 575-LA



**PLAN VIEW**



**SECTION AA**



**END VIEW**



PO Box 323, Wilsonville, Oregon 97070-0323  
 Tel: (503) 682-2844 Fax: (503) 682-2657

**575-LA**

File Name: 020-575LA

Issue Date: 2016

[oldcastleprecast.com/wilsonville](http://oldcastleprecast.com/wilsonville)

**575-LA**  
**4 x 6 x 4**  
**POWER / WATER / GAS**