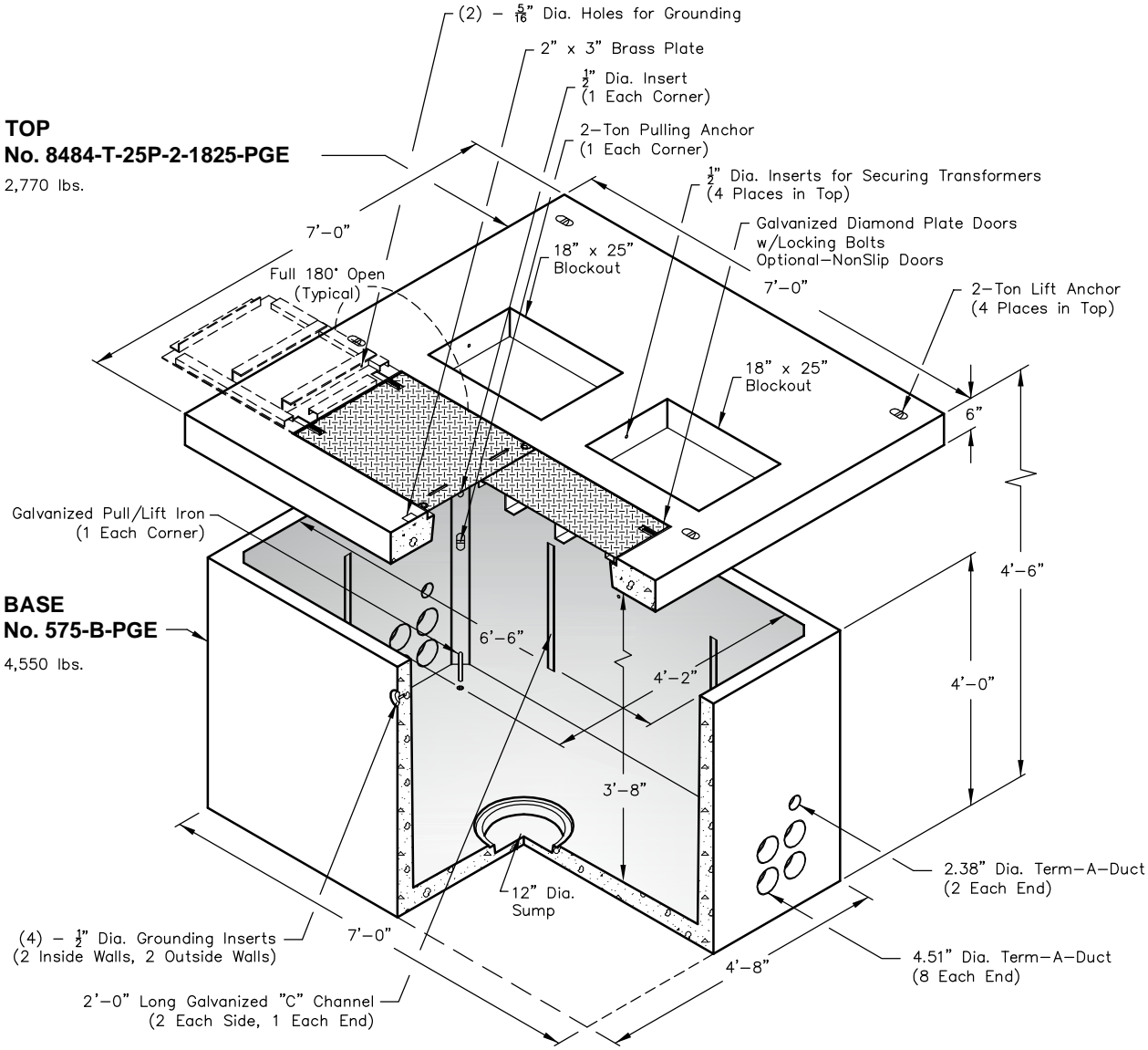



Two Single Phase Padmounted Transformers on Vault

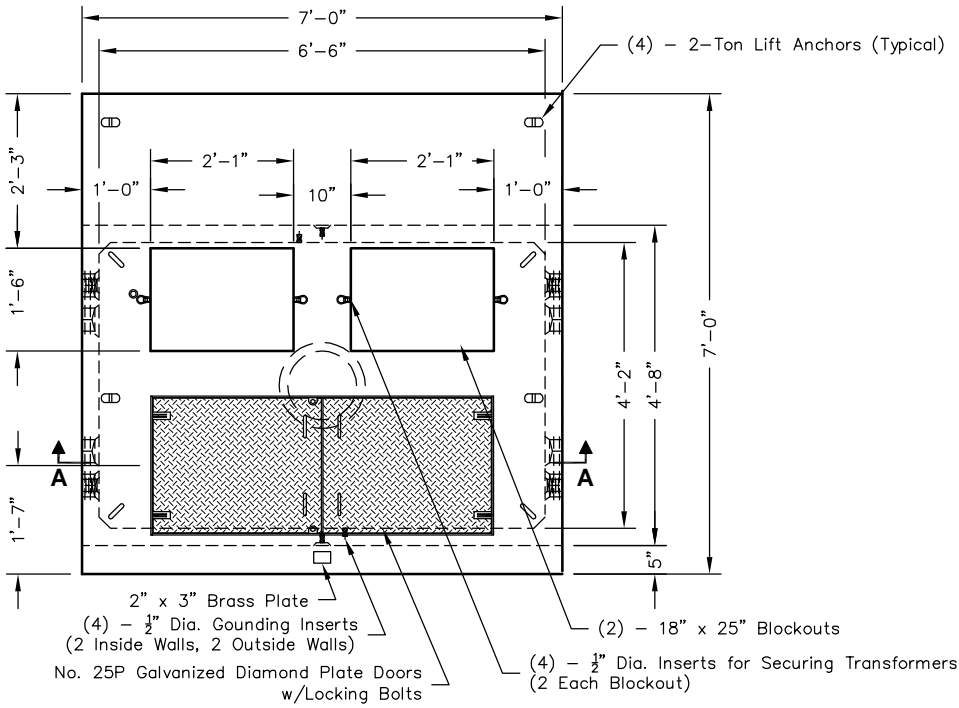


Note: Designed for 0 to 5'-0" of Cover

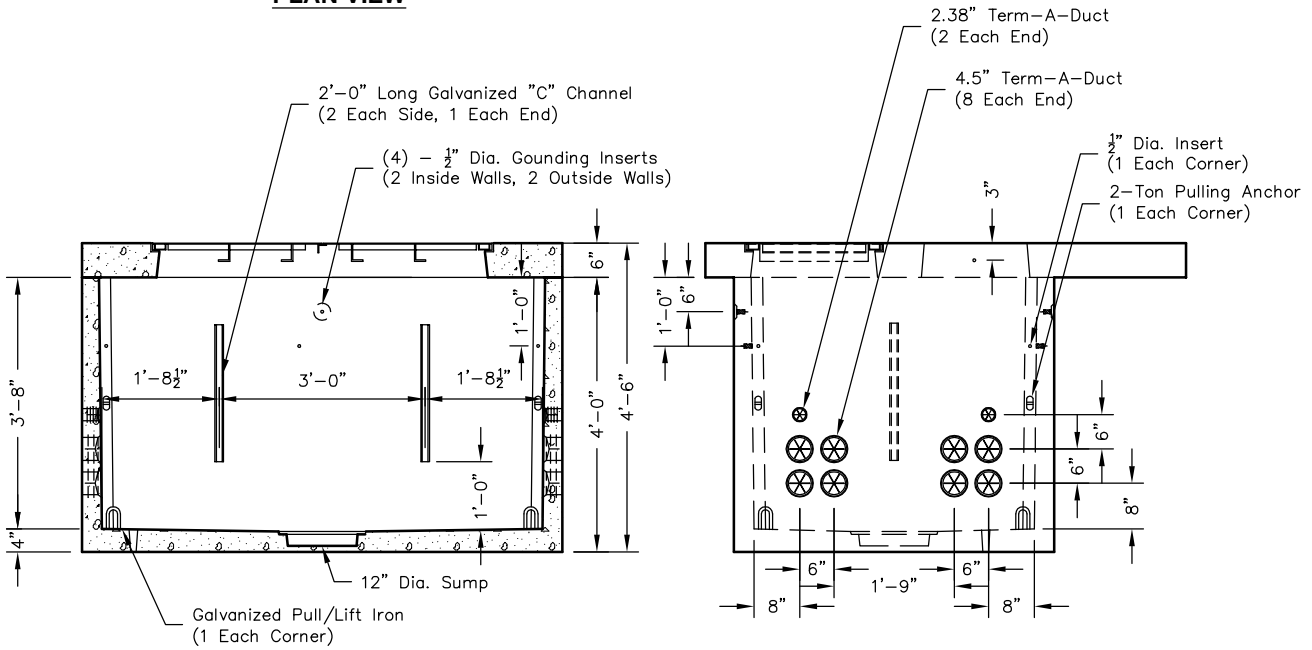
PGE L26100 1-5-12

 PO Box 323, Wilsonville, Oregon 97070-0323 Tel: (503) 682-2844 Fax: (503) 682-2657	575-PGE	575-PGE 56 x 84 x 54
	File Name: 020-575PGE	
	Issue Date: 2018	
	oldcastleprecast.com/wilsonville	

575-PGE



PLAN VIEW



SECTION AA

END VIEW

PGE L26100 1-5-12



PO Box 323, Wilsonville, Oregon 97070-0323
 Tel: (503) 682-2844 Fax: (503) 682-2657

575-PGE

File Name: 020-575PGE

Issue Date: 2018

oldcastleprecast.com/wilsonville

575-PGE
56 x 84 x 54