

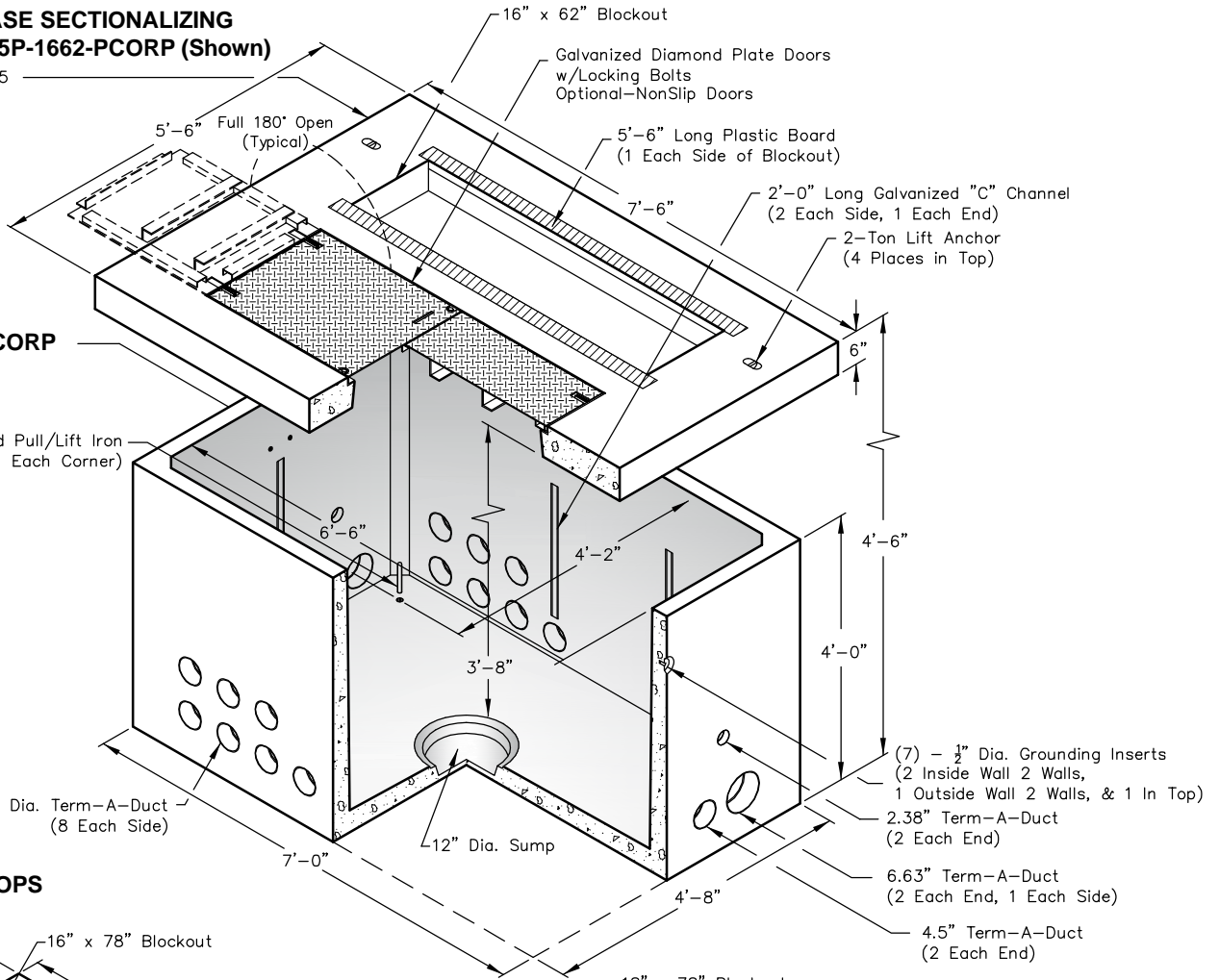
575-SECT-PCORP

5 x 7, 15 kV, 3-Phase Sectionalizing Cabinet Padvault, Stock Item 7992605
 5 x 7, 25 kV, 3-Phase Sectionalizing Cabinet Padvault, Stock Item 7992606
 5 x 7, 35 kV, 3-Phase Sectionalizing Cabinet Padvault, Stock Item 7992607

TOP

15 kV, 3-PHASE SECTIONALIZING
No. 6690-T-25P-1662-PCORP (Shown)

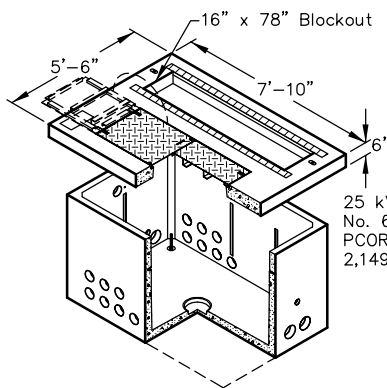
PCORP #7992605
 2,148 lbs.



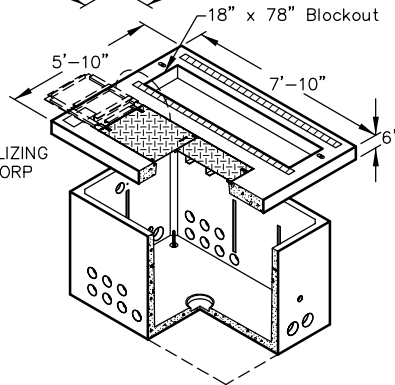
BASE
No. 575-B-PCORP

4,800 lbs.

OPTIONAL TOPS



25 kV, 3-PHASE SECTIONALIZING
 No. 6694-T-25P-1678-PCORP
 PCORP #7992606
 2,149 lbs.



35 kV, 3-PHASE SECTIONALIZING
 No. 7094-T-25P-1878-PCORP
 PCORP #7992607
 2,262 lbs.

Note: Designed for 0 to 5'-0" of Cover

PCORP ZG621 6-13-13



PO Box 323, Wilsonville, Oregon 97070-0323
 Tel: (503) 682-2844 Fax: (503) 682-2657

575-SECT-PCORP

File Name: 020-575SECT

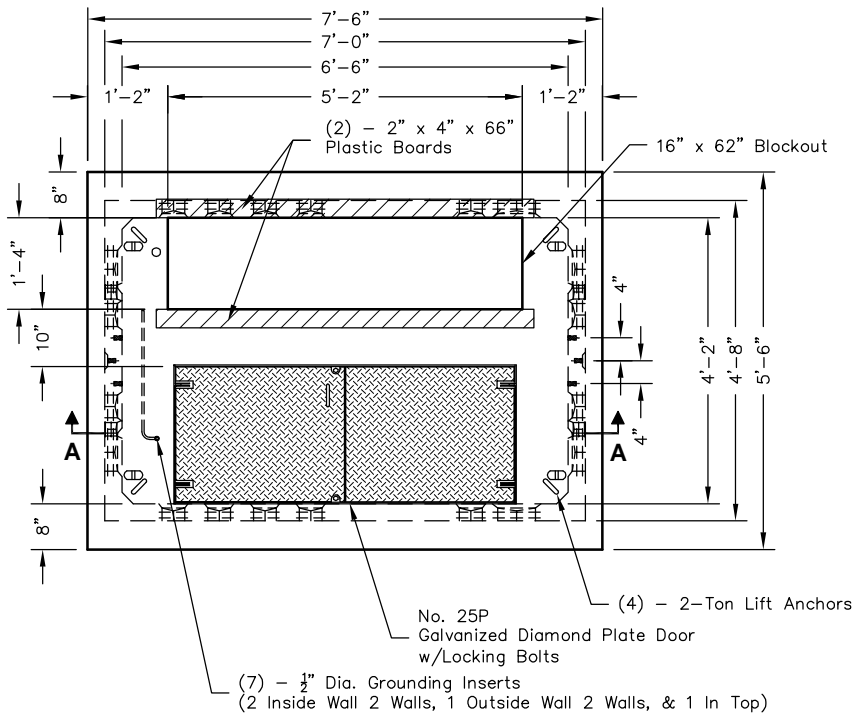
Issue Date: 2018

oldcastleprecast.com/wilsonville

575-SECT-PCORP

5 x 7
PACIFICORP

575-SECT-PCORP



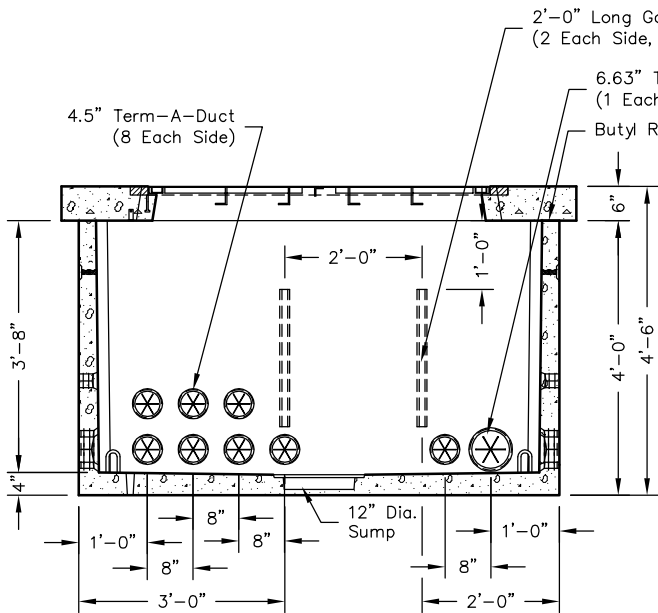
PLAN VIEW



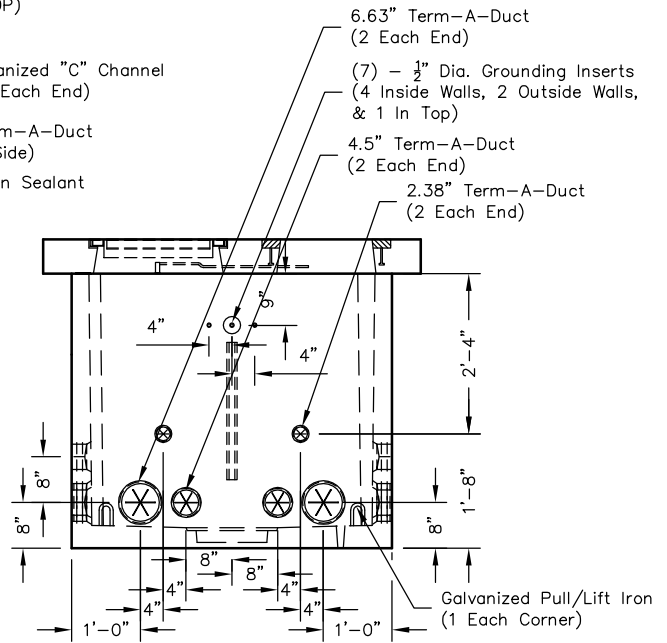
CABINET
HOLD-DOWN CLEAT
(6) - REQUIRED

- 1 1/4" x 2 3/8" Stainless Steel Hold-Down Cleat
- 1/2" x 2" Galvanized Lag Screw
- 3/8" Stainless Steel Bellville Washer

No. 6690-T-25P-1662-PCORP (15 kV, 3-PHASE SECTIONALIZING TOP)
PCORP #7992605



SECTION AA



END VIEW

PCORP ZG621 6-13-13



PO Box 323, Wilsonville, Oregon 97070-0323
Tel: (503) 682-2844 Fax: (503) 682-2657

575-SECT-PCORP

File Name: 020-575SECT

Issue Date: 2018

oldcastleprecast.com/wilsonville

575-SECT-PCORP

**5 x 7
PACIFICORP**