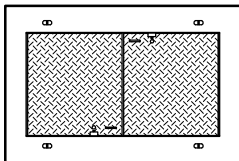
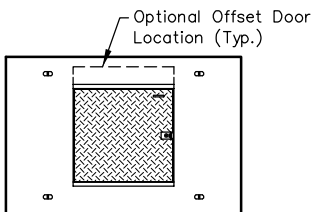


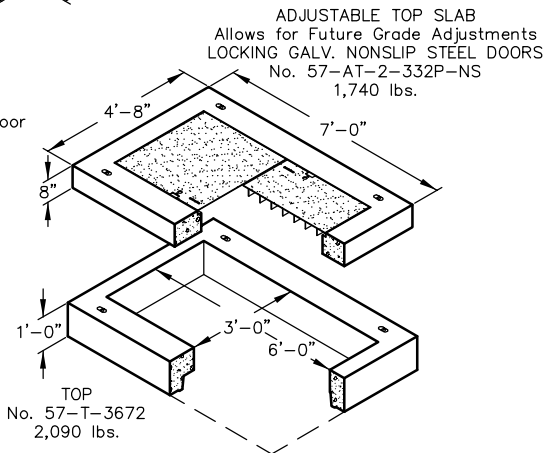
OPTIONAL TOPS



LOCKING GALV. STEEL DOORS
No. 57-T-2-332P
2,400 lbs.




LOCKING GALV. STEEL DOOR
No. 57-T-332P
3,120 lbs.

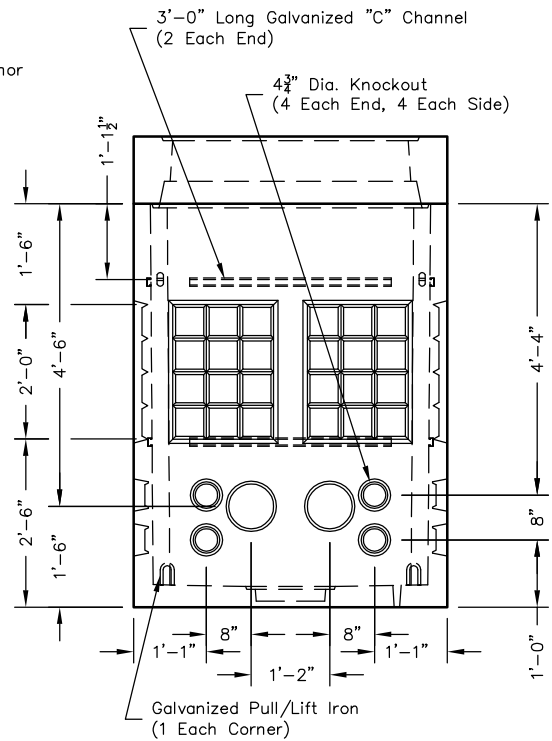
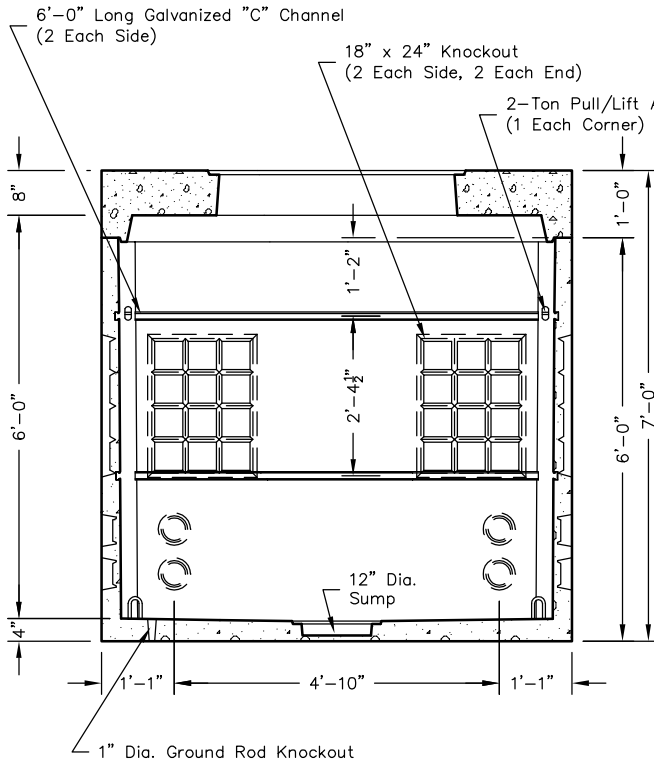
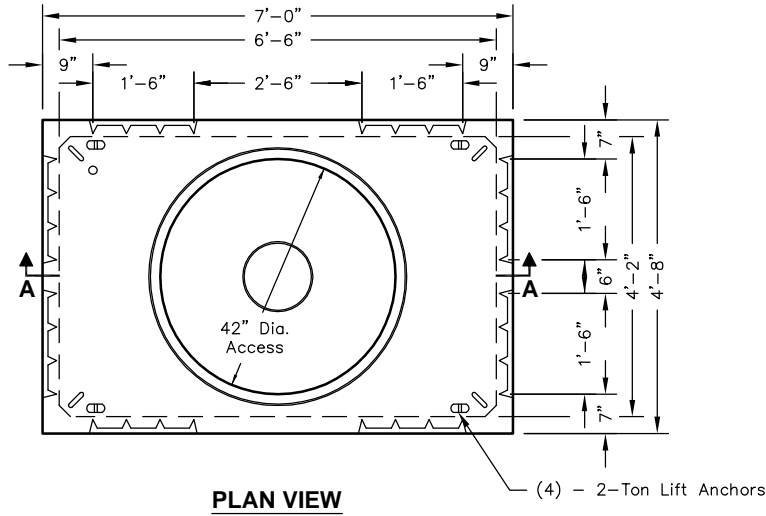


ADJUSTABLE TOP ASSEMBLY

Note: Designed for 0 to 5'-0" of Cover

 <p>PO Box 323, Wilsonville, Oregon 97070-0323 Tel: (503) 682-2844 Fax: (503) 682-2657</p>	<p>577-LA</p>	<p>577-LA 4 x 6 x 6 POWER / WATER / GAS</p>
	File Name: 020-577LA	
	Issue Date: 2016	
	oldcastleprecast.com/wilsonville	

577-LA



PO Box 323, Wilsonville, Oregon 97070-0323
Tel: (503) 682-2844 Fax: (503) 682-2657

577-LA

File Name: 020-577LA

Issue Date: 2016

oldcastleprecast.com/wilsonville

577-LA
4 x 6 x 6
POWER / WATER / GAS