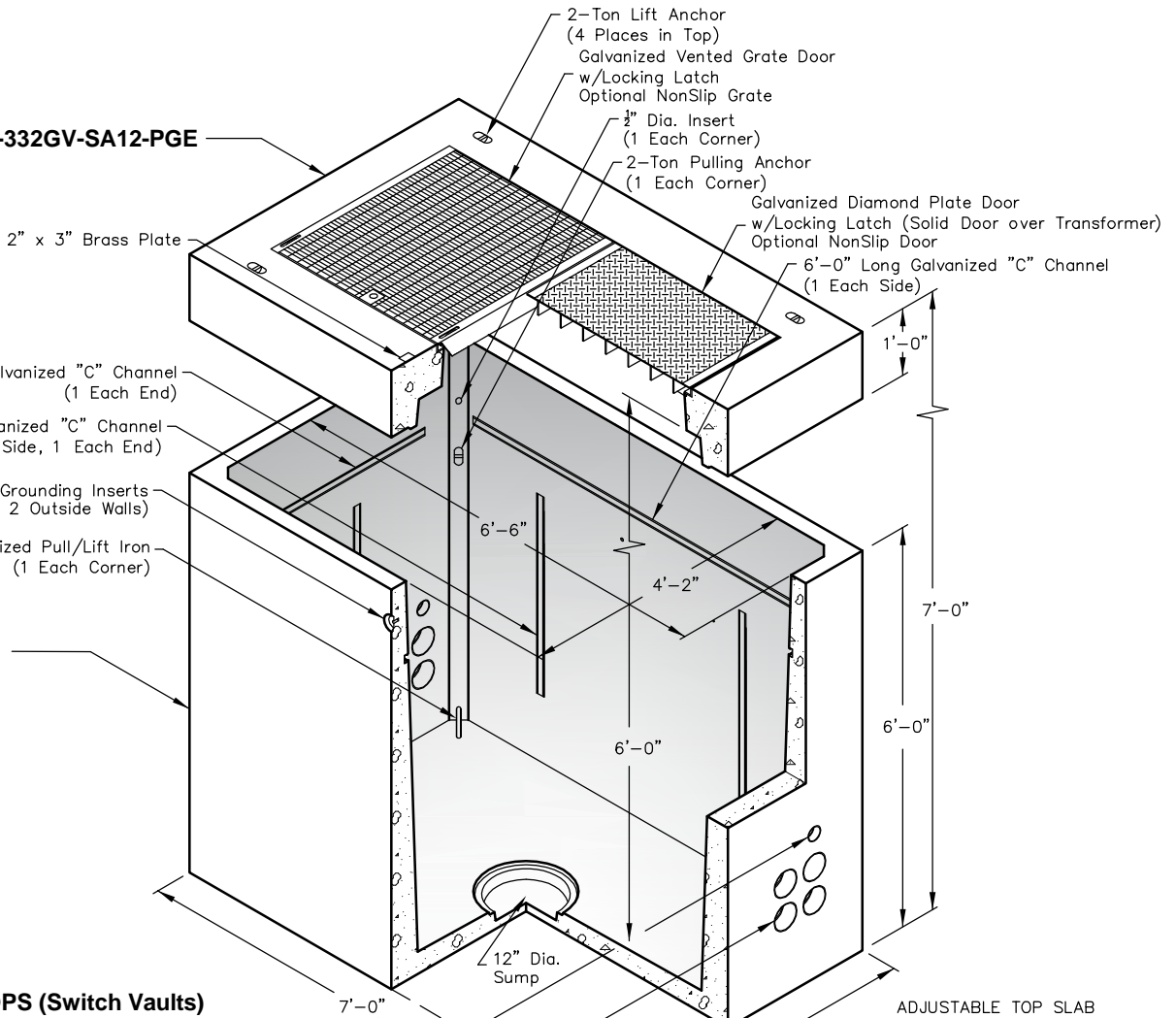


## Three Phase Submersible Transformer Vault Three Phase Switch Vault with Primary Junction

### TOP

**No. 57-T- 332P-332GV-SA12-PGE**

2,640 lbs.

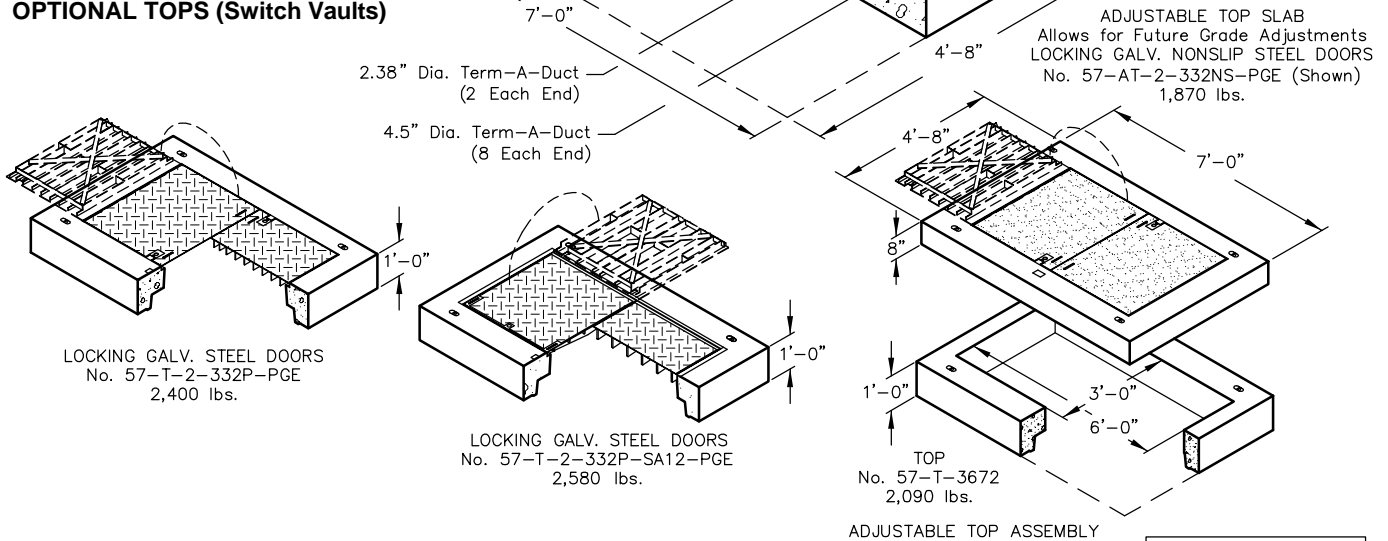


### BASE

**No. 577-B-PGE**

6,230 lbs.

### OPTIONAL TOPS (Switch Vaults)



Note: Designed for 0 to 5'-0" of Cover

PGE L26100 1-5-12



PO Box 323, Wilsonville, Oregon 97070-0323  
Tel: (503) 682-2844 Fax: (503) 682-2657

**577-PGE**

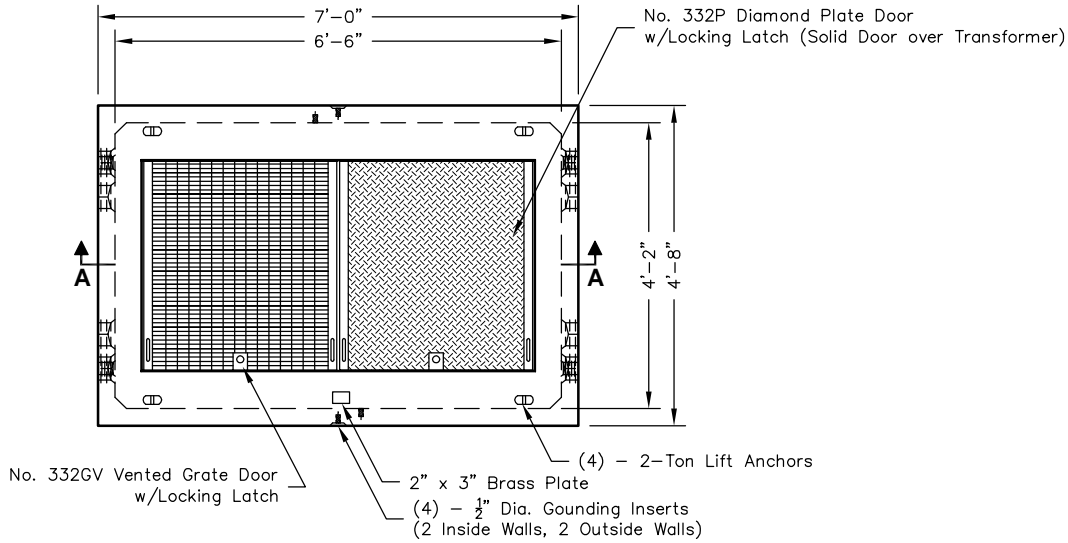
File Name: 020-577PGE

Issue Date: 2018

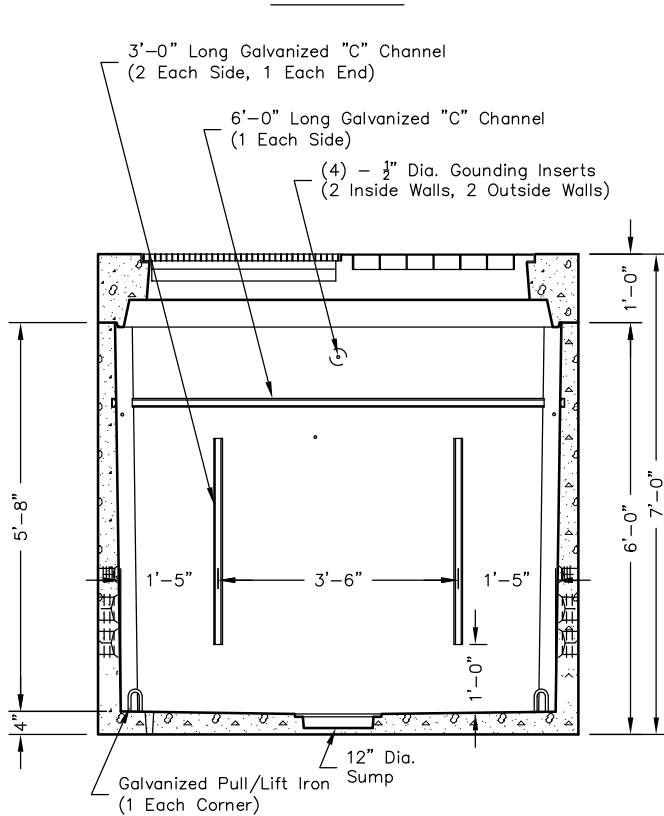
[oldcastleprecast.com/wilsonville](http://oldcastleprecast.com/wilsonville)

**577-PGE**  
**56 x 84 x 84**

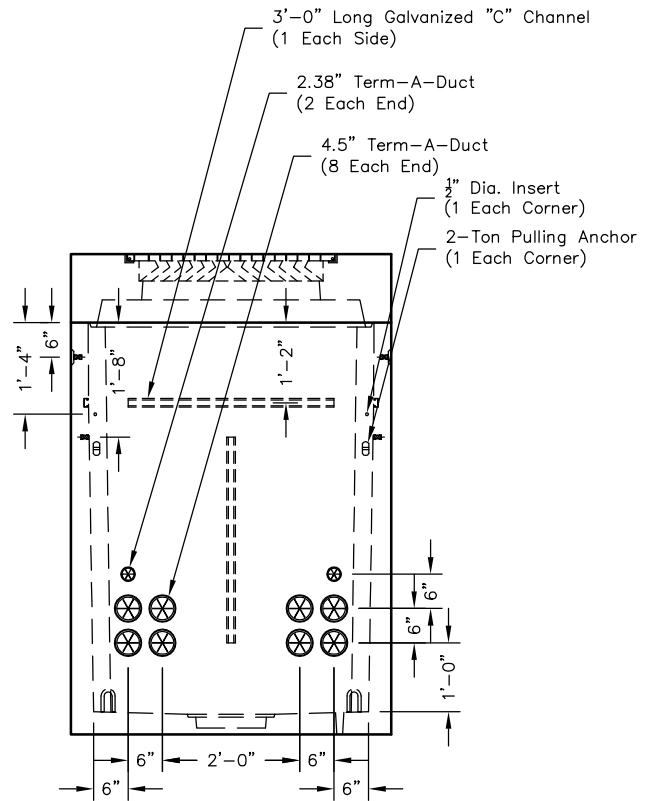
# 577-PGE



**PLAN VIEW**



**SECTION AA**



**END VIEW**

PGE L26100 1-5-12



PO Box 323, Wilsonville, Oregon 97070-0323  
Tel: (503) 682-2844 Fax: (503) 682-2657

## 577-PGE

File Name: 020-577PGE

Issue Date: 2018

[oldcastleprecast.com/wilsonville](http://oldcastleprecast.com/wilsonville)

**577-PGE**  
**56 x 84 x 84**