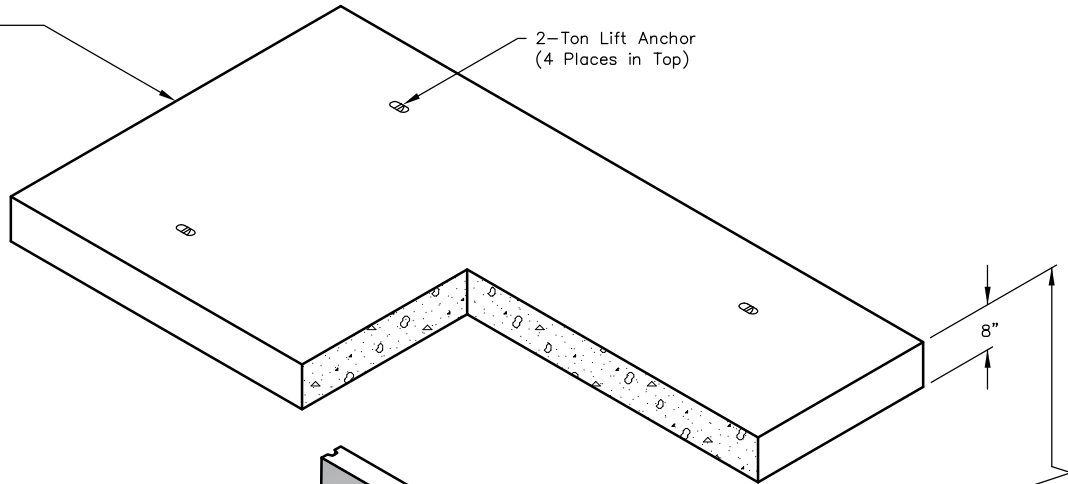


# 6039 TRENCH

**TRENCH TOP  
No. 6039-TT-8**

6,300 lbs.

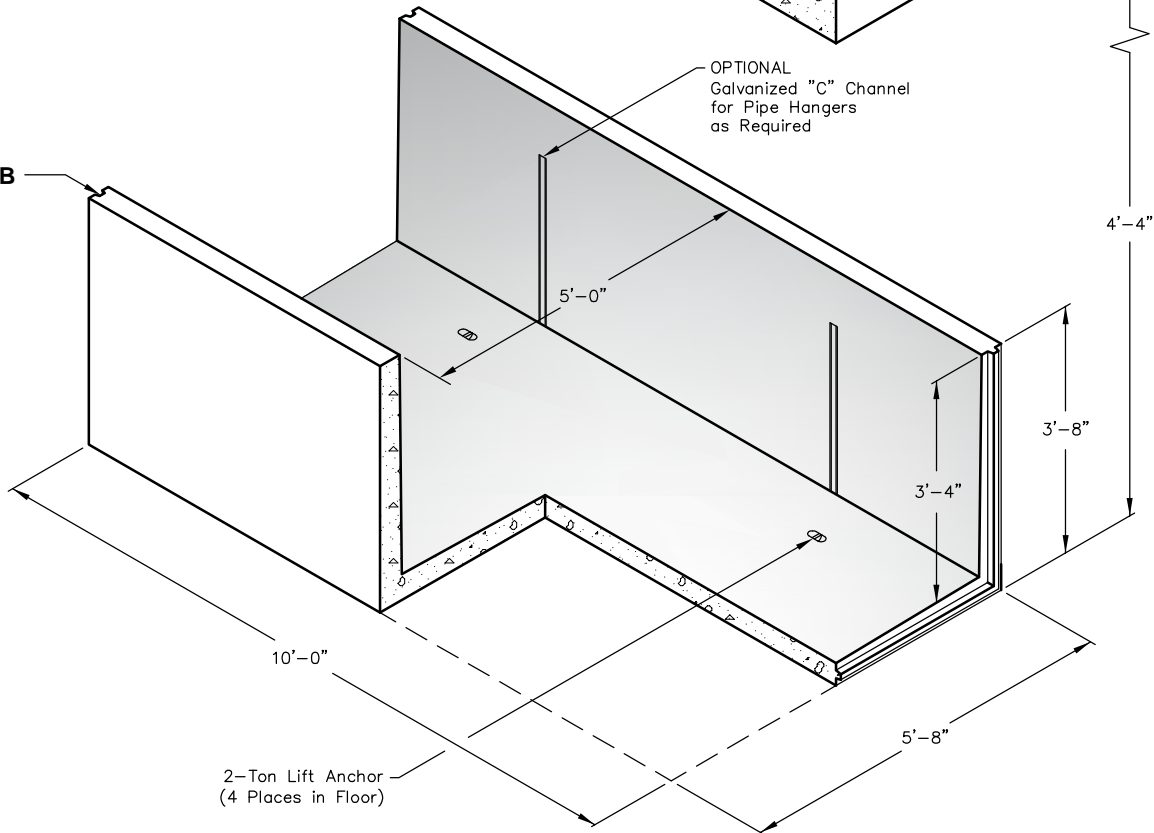
2-Ton Lift Anchor  
(4 Places in Top)



**TRENCH  
No. 6039-TB**


6,810 lbs

OPTIONAL  
Galvanized "C" Channel  
for Pipe Hangers  
as Required

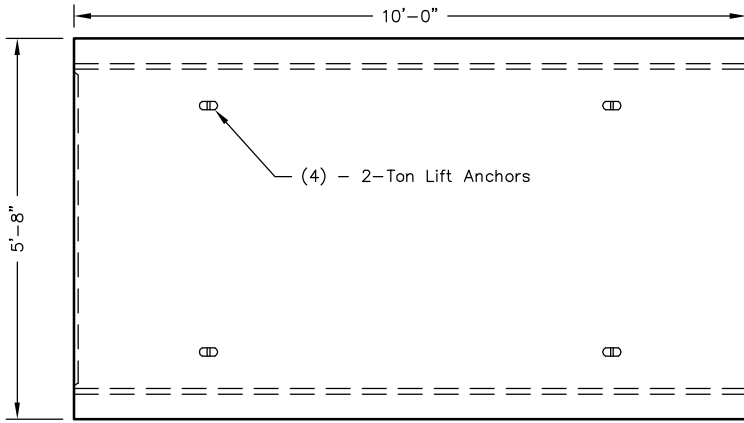


2-Ton Lift Anchor  
(4 Places in Floor)

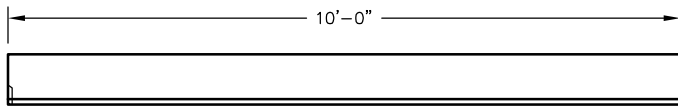
Note: Designed for 0 to 5'-0" of Cover

 <b>Oldcastle Precast®</b> PO Box 323, Wilsonville, Oregon 97070-0323 Tel: (503) 682-2844 Fax: (503) 682-2657	<b>6039 TRENCH</b>	<b>6039 TRENCH 5 x 3</b>
	File Name: 020-6039TR	
	Issue Date: 2016	
	<a href="http://oldcastleprecast.com/wilsonville">oldcastleprecast.com/wilsonville</a>	

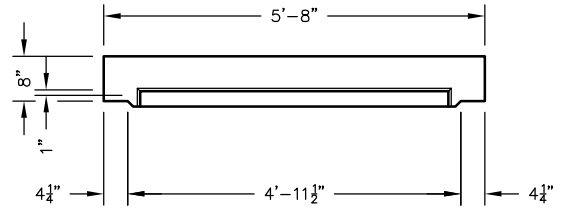
# 6039 TRENCH



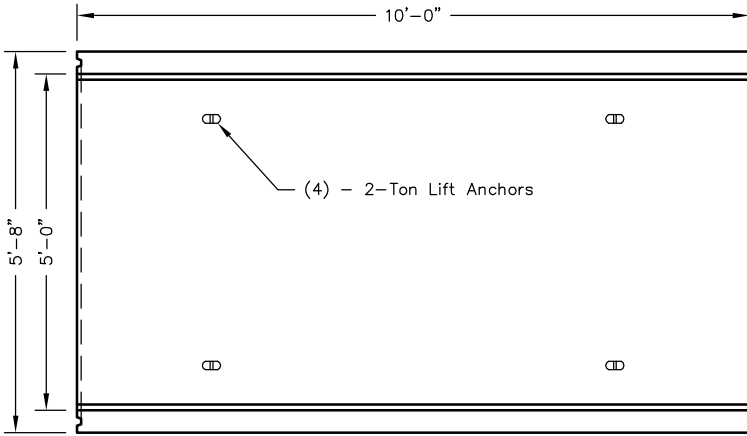
**PLAN VIEW - TOP**



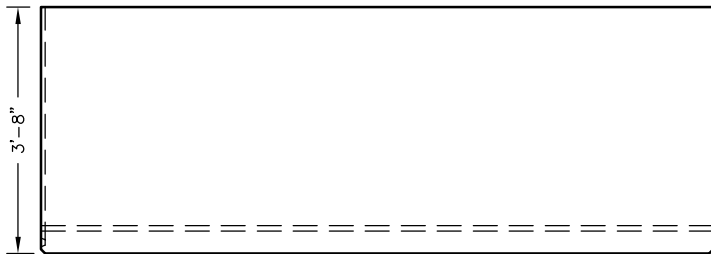
**SIDE VIEW - TOP**



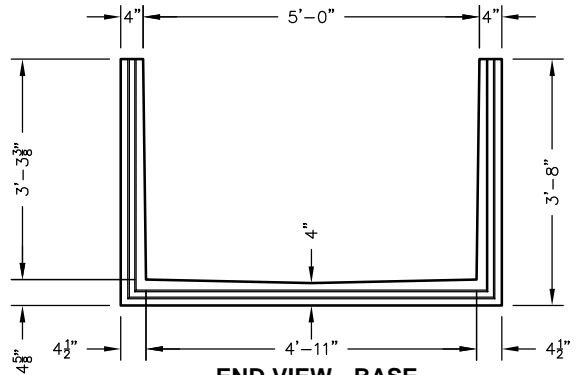
**END VIEW - TOP**



**PLAN VIEW - BASE**



**SIDE VIEW - BASE**



**END VIEW - BASE**

- Notes:
- Customer to grout or caulk joints on vertical plane.
  - Butyl resin sealant supplied for joints on horizontal plane.



PO Box 323, Wilsonville, Oregon 97070-0323  
Tel: (503) 682-2844 Fax: (503) 682-2657

## 6039 TRENCH

File Name: 020-6039TR

Issue Date: 2016

[oldcastleprecast.com/wilsonville](http://oldcastleprecast.com/wilsonville)

## 6039 TRENCH 5 x 3