

## Feeder Cable Padmount Switch / Fuse Vaults

### TOP

#### No. 612-T-2436P-6065-PGE

Switch/Fuse 1200 Amp, 15kV  
6,820 lbs.

2-Ton Pull/Lift Anchor  
(1 Each Corner)  
2" x 3" Brass Plate

4'-0" Long  
Galvanized "C" Channel  
(1 Each End)

Full 180° Open  
(Typical)

(2) -  $\frac{5}{16}$ " Dia. Holes for Grounding  
Galvanized  
Diamond Plate Doors  
w/Locking Latch  
Optional-NonSlip Doors

(2) -  $\frac{1}{2}$ " Dia. Inserts for Temp. Cover  
 $\frac{1}{2}$ " Dia. Inserts for Securing Switch (2 Places in Top)

60" x 65" Blockout  
3'-6" Long Galvanized "C" Channel  
(4 Each Side, 1 Each End)  
10'-0" Long Galvanized "C" Channel  
(1 Each Side)  
2-Ton Lift Anchor  
(4 Places in Top)

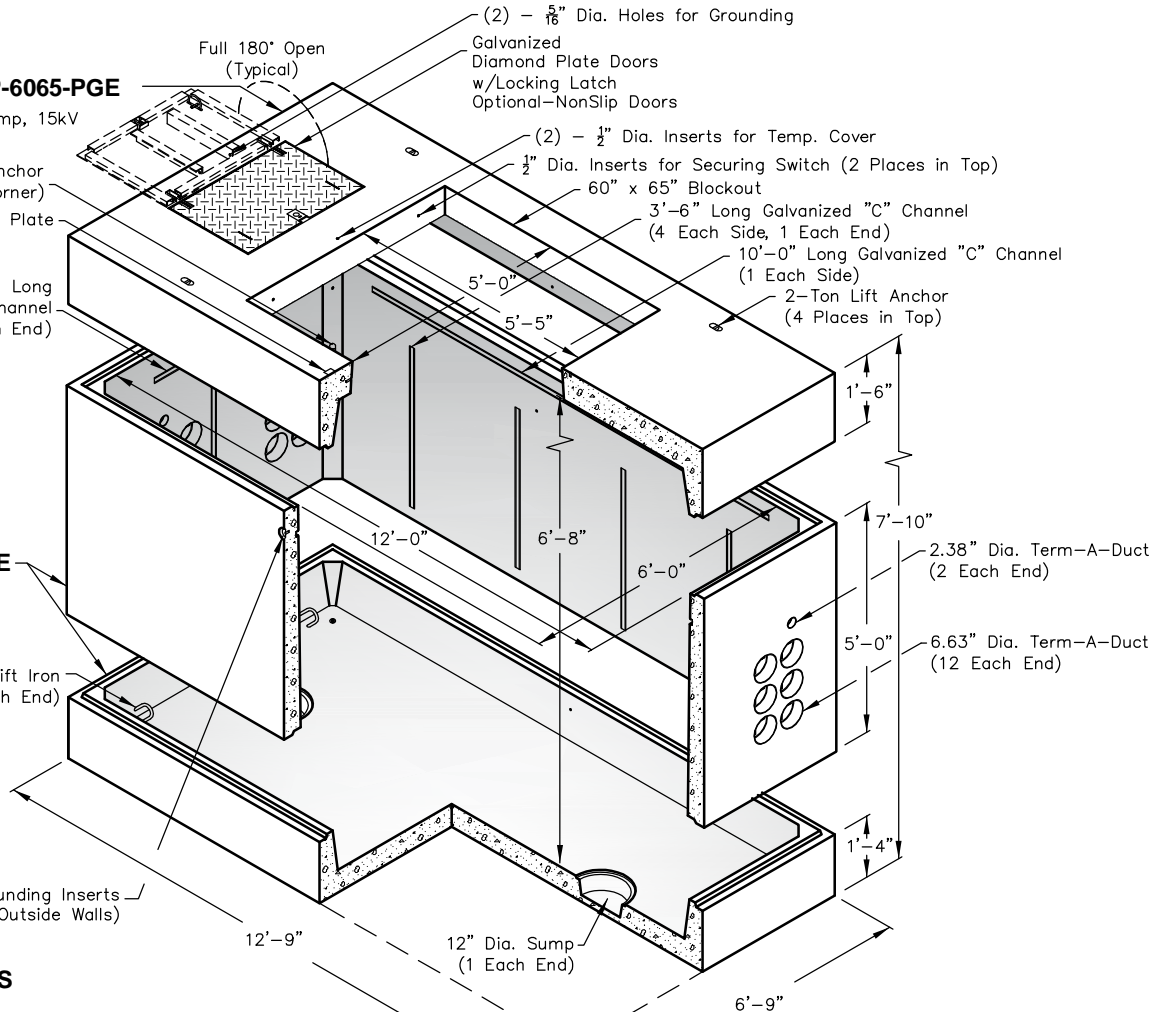
### BASE / MIDDLE

#### No. 612-B/M-PGE

Base 8,192 lbs.  
Middle 10,420 lbs.

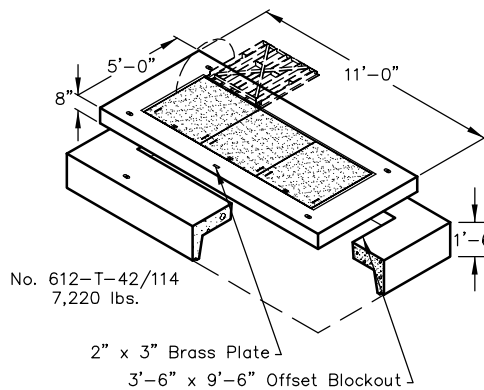
Galvanized Pull/Lift Iron  
(2 Each End)

(8) -  $\frac{1}{2}$ " Dia. Grounding Inserts  
(6 Inside Walls, 2 Outside Walls)

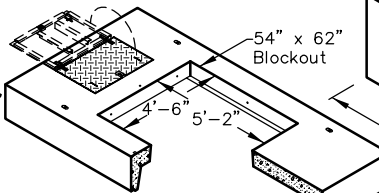


### OPTIONAL TOPS

ADJUSTABLE TOP SLAB  
Allows for Future Grade Adjustments  
LOCKING GALV. NONSLIP STEEL DOORS  
No. 5106-AT-3-332P-NS-PGE (Shown)  
3,640 lbs.

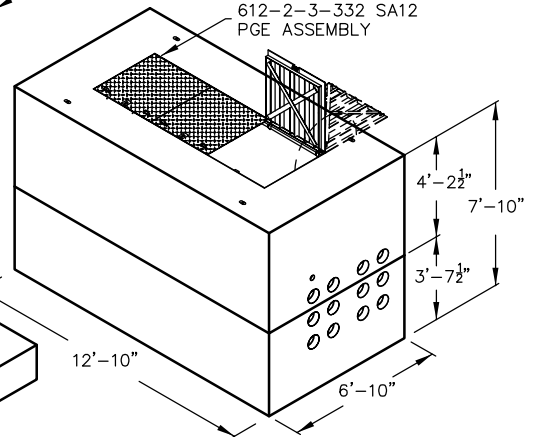


All-Switch, 1200 Amp, 15kV



### OPTIONAL 2 - PC. VAULT

612-2-3-332 SA12  
PGE ASSEMBLY



Note:  
- 6.63" to 4.5" diameter  
reducer bushings are available.

Note: Designed for 0 to 5'-0" of Cover

PGE L26100 1-5-12



PO Box 323, Wilsonville, Oregon 97070-0323  
Tel: (503) 682-2844 Fax: (503) 682-2657

## 612-PGE

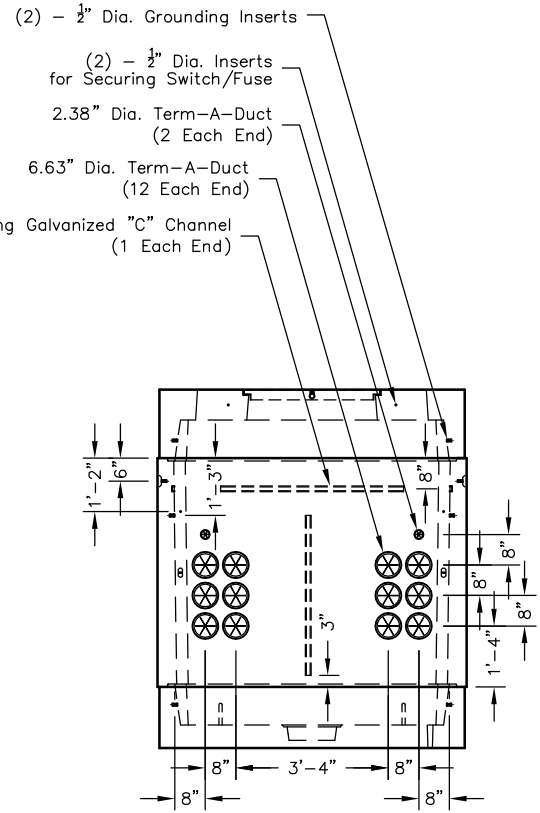
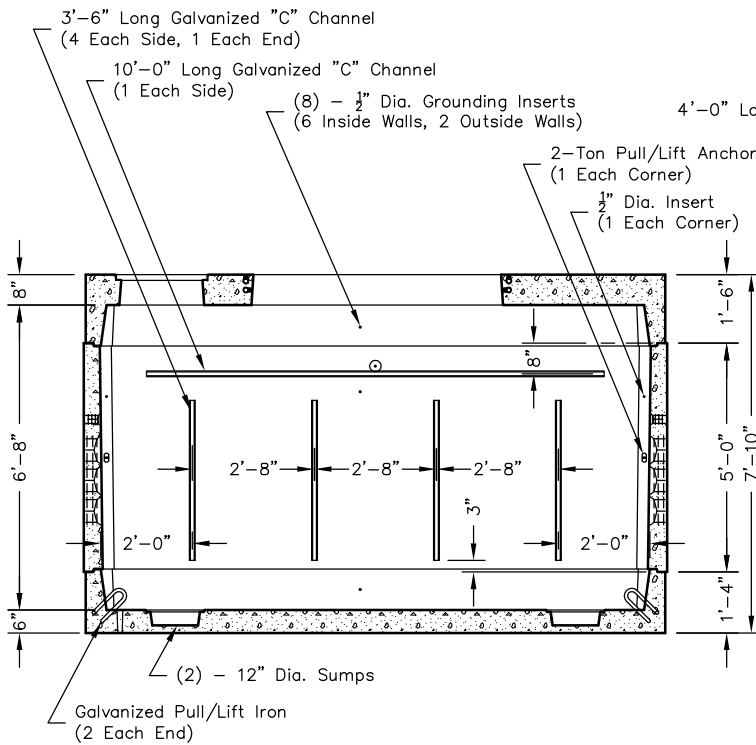
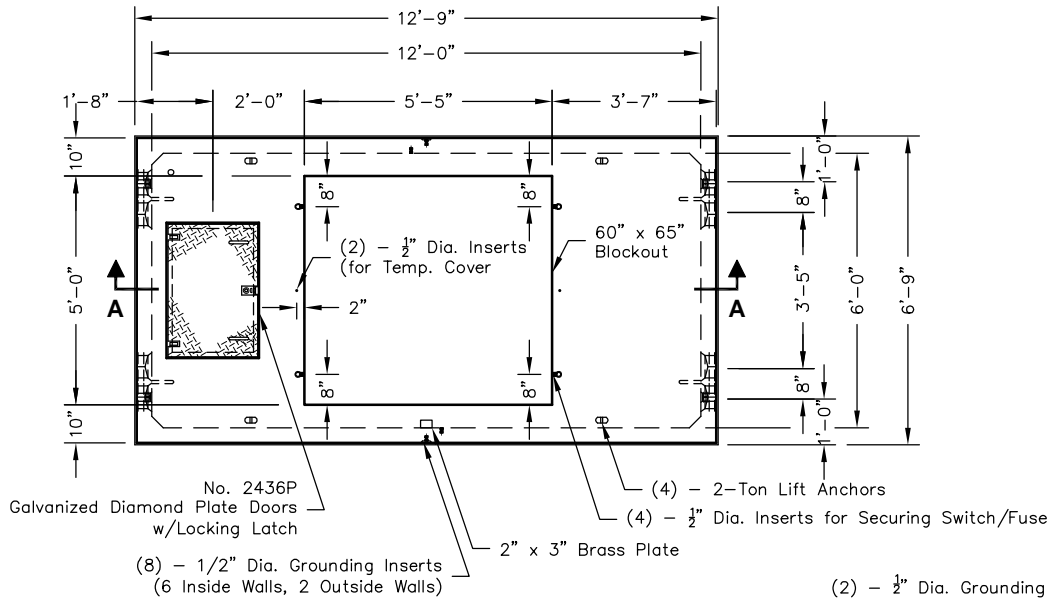
File Name: 020-612PGE

Issue Date: 2018

[oldcastleprecast.com/wilsonville](http://oldcastleprecast.com/wilsonville)

**612-PGE**  
**80 x 152 x 94**

# 612-PGE



Note:  
 - 6.63" to 4.5" diameter reducer bushings are available.

PGE L26100 1-5-12



PO Box 323, Wilsonville, Oregon 97070-0323  
 Tel: (503) 682-2844 Fax: (503) 682-2657

## 612-PGE

File Name: 020-612PGE

Issue Date: 2018

[oldcastleprecast.com/wilsonville](http://oldcastleprecast.com/wilsonville)

**612-PGE**  
**80 x 152 x 94**