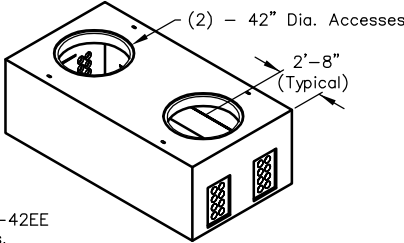
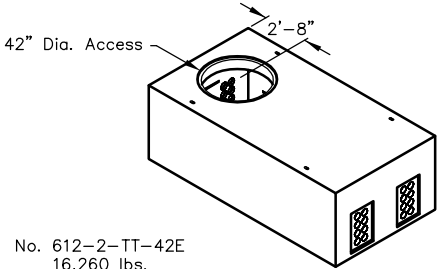



OPTIONAL
 - Additional Term-A-Ducts Located as Required.

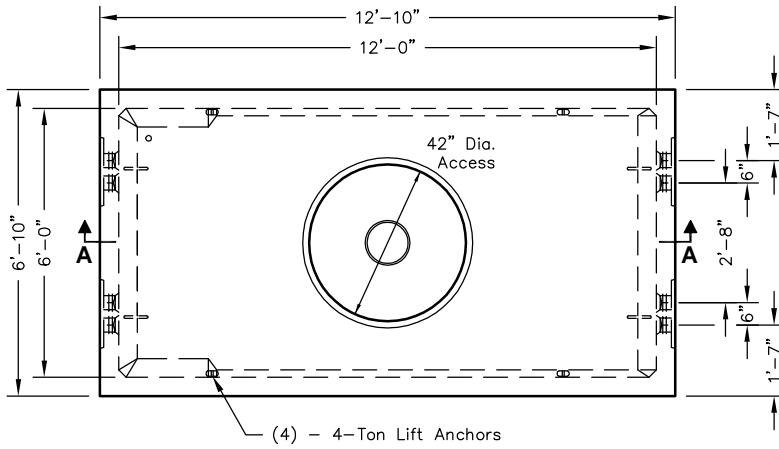
OPTIONAL TOPS



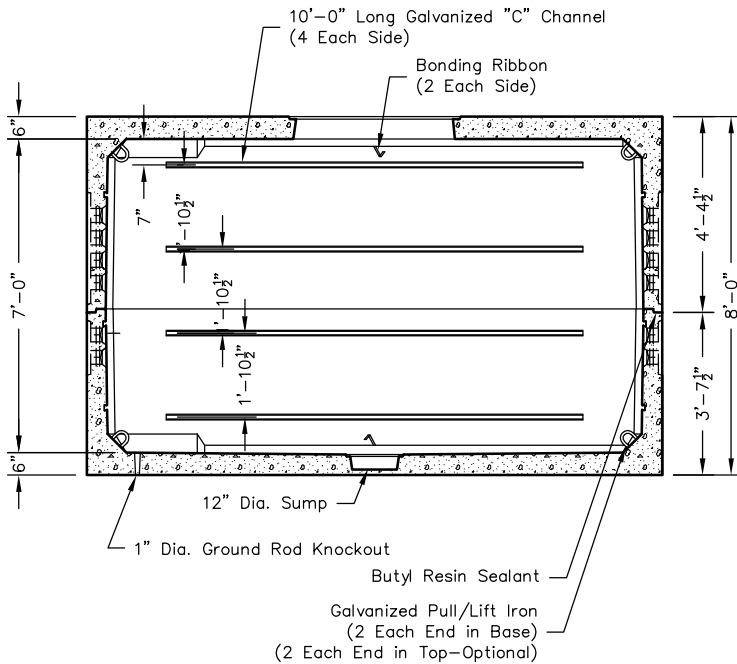
Note: Designed for 0 to 5'-0" of Cover

 PO Box 323, Wilsonville, Oregon 97070-0323 Tel: (503) 682-2844 Fax: (503) 682-2657	612-2-TA	612-2-TA 6 x 12 - 2 PC. COMMUNICATIONS
	File Name: 020-612TA2	
	Issue Date: 2016	
	oldcastleprecast.com/wilsonville	

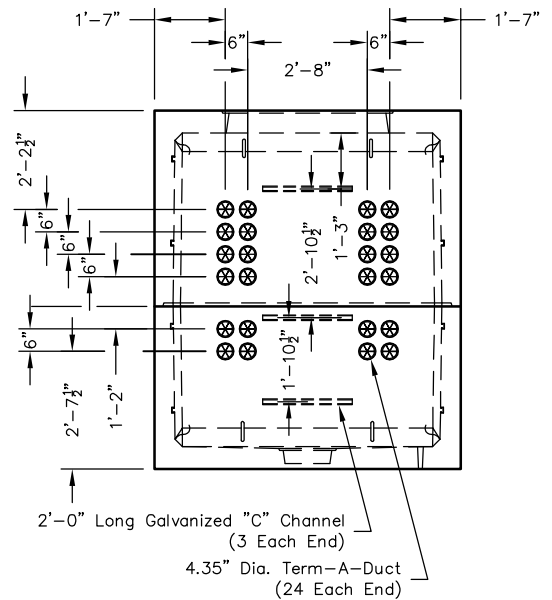
612-2-TA



PLAN VIEW



SECTION AA



END VIEW



PO Box 323, Wilsonville, Oregon 97070-0323
 Tel: (503) 682-2844 Fax: (503) 682-2657

612-2-TA

File Name: 020-612TA2

Issue Date: 2016

oldcastleprecast.com/wilsonville

612-2-TA 6 x 12 - 2 PC. COMMUNICATIONS