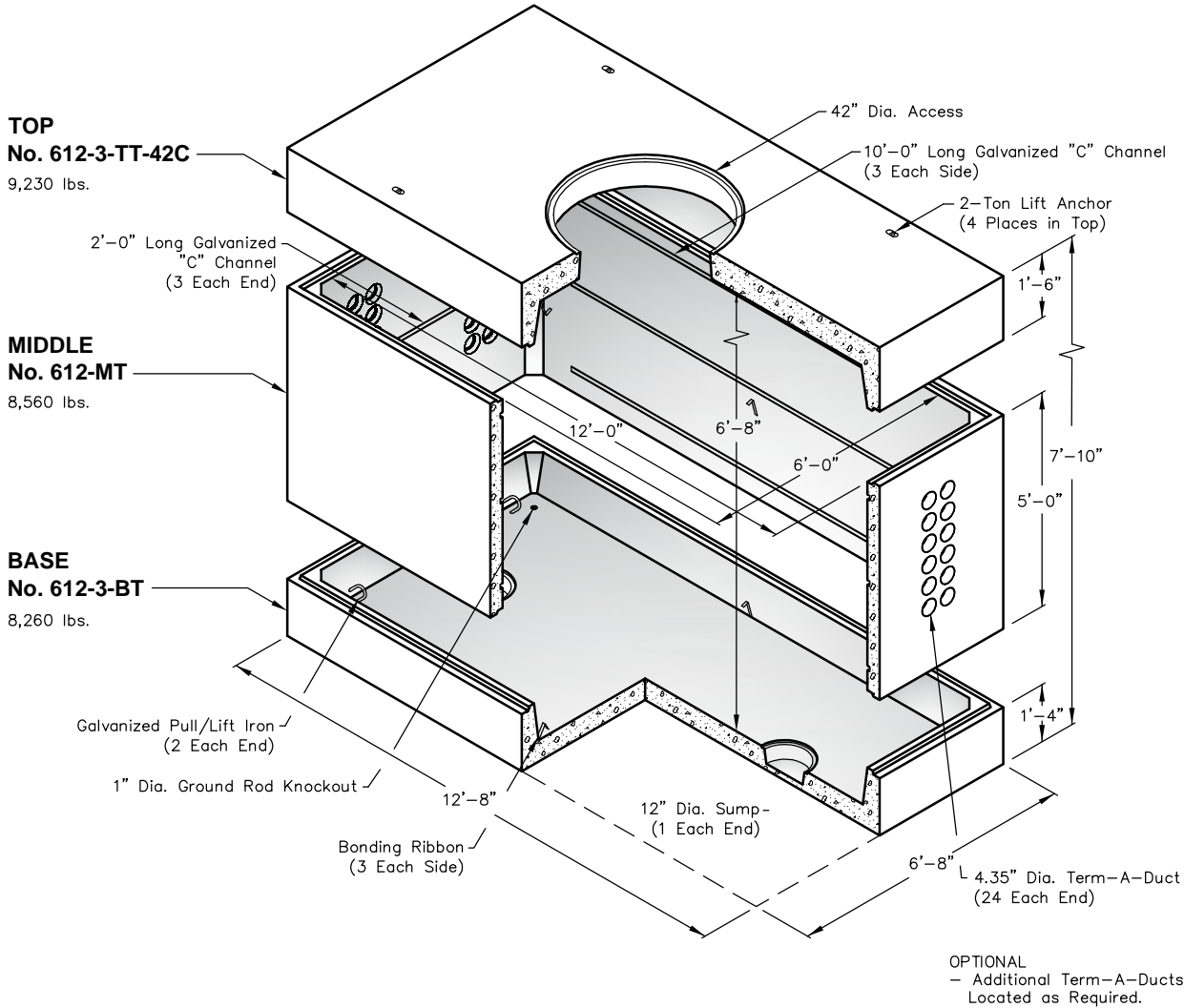
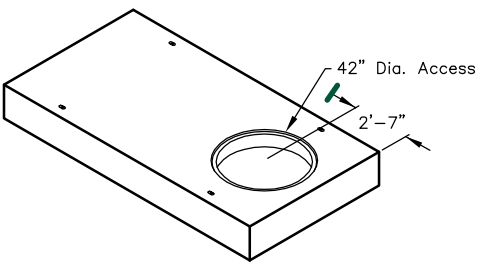


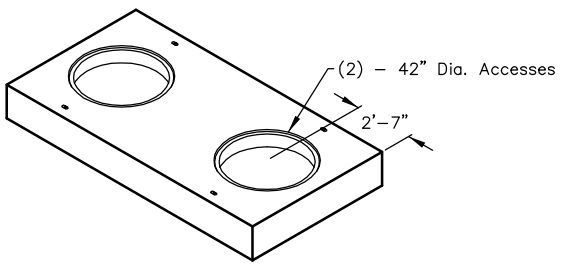
612-3-TA



OPTIONAL TOPS




No. 612-3-TT-42E
 9,230 lbs.

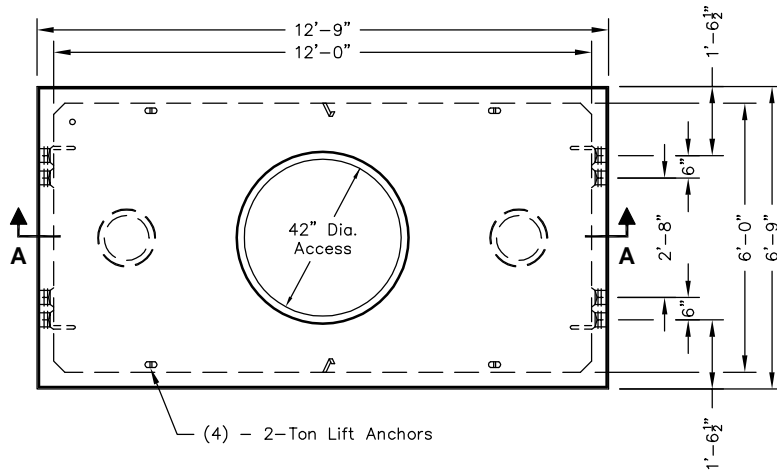


No. 612-3-TT-42EE
 8,260 lbs.

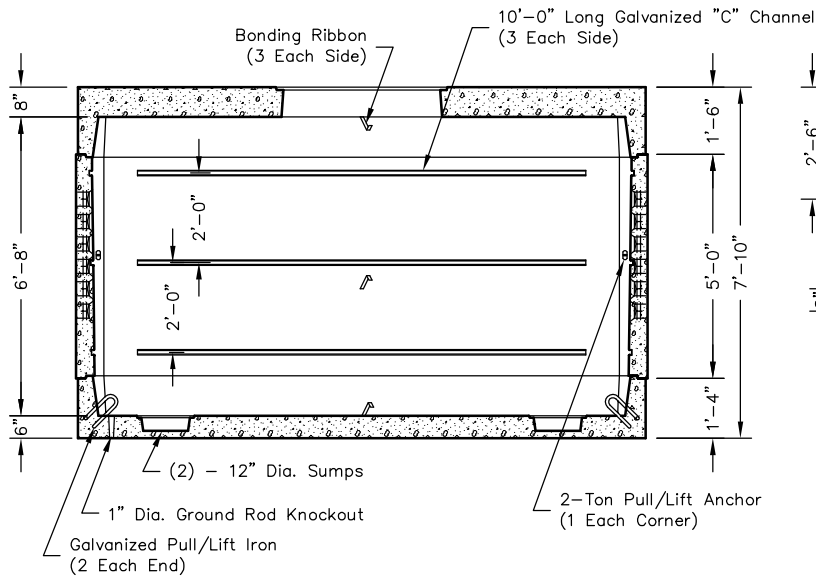
Note: Designed for 0 to 5'-0" of Cover

 PO Box 323, Wilsonville, Oregon 97070-0323 Tel: (503) 682-2844 Fax: (503) 682-2657	612-3-TA	612-3-TA 6 x 12 - 3 PC. COMMUNICATIONS
	File Name: 020-612TA3	
	Issue Date: 2016	
	oldcastleprecast.com/wilsonville	

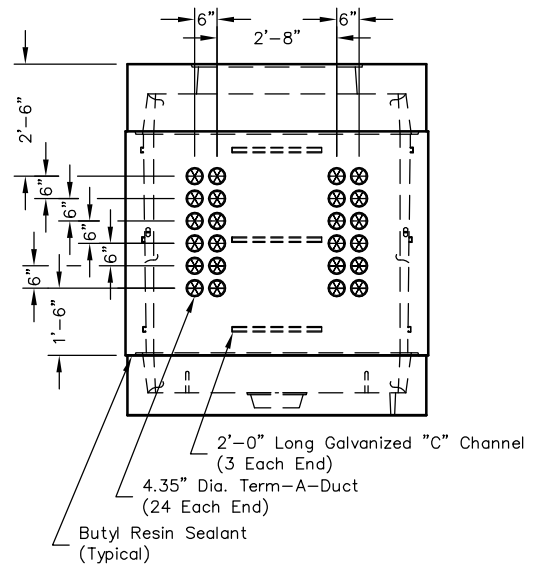
612-3-TA




PLAN VIEW



SECTION AA



END VIEW

 <p>PO Box 323, Wilsonville, Oregon 97070-0323 Tel: (503) 682-2844 Fax: (503) 682-2657</p>	<p>612-3-TA</p>	<p>612-3-TA 6 x 12 - 3 PC. COMMUNICATIONS</p>
	File Name: 020-612TA3	
	Issue Date: 2016	
	<p>oldcastleprecast.com/wilsonville</p>	