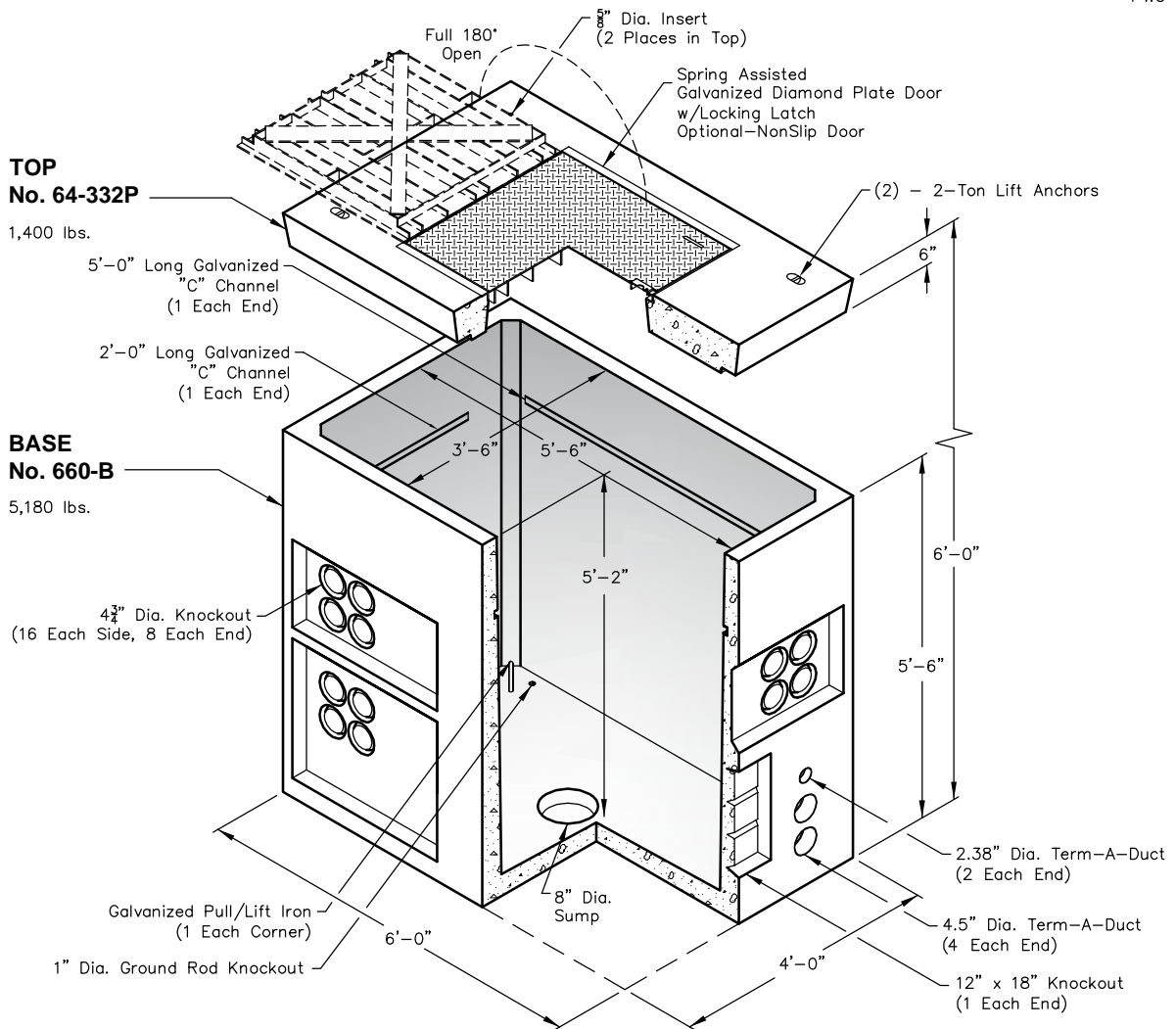
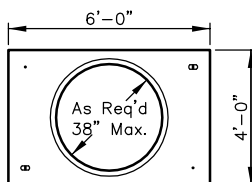


660-LA

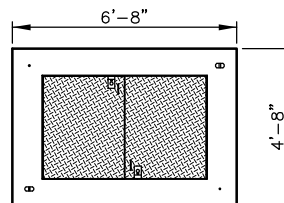
PWG-14.0



OPTIONAL TOPS




ROUND ACCESS
No. 64-38C (Shown)
1,420 lbs.

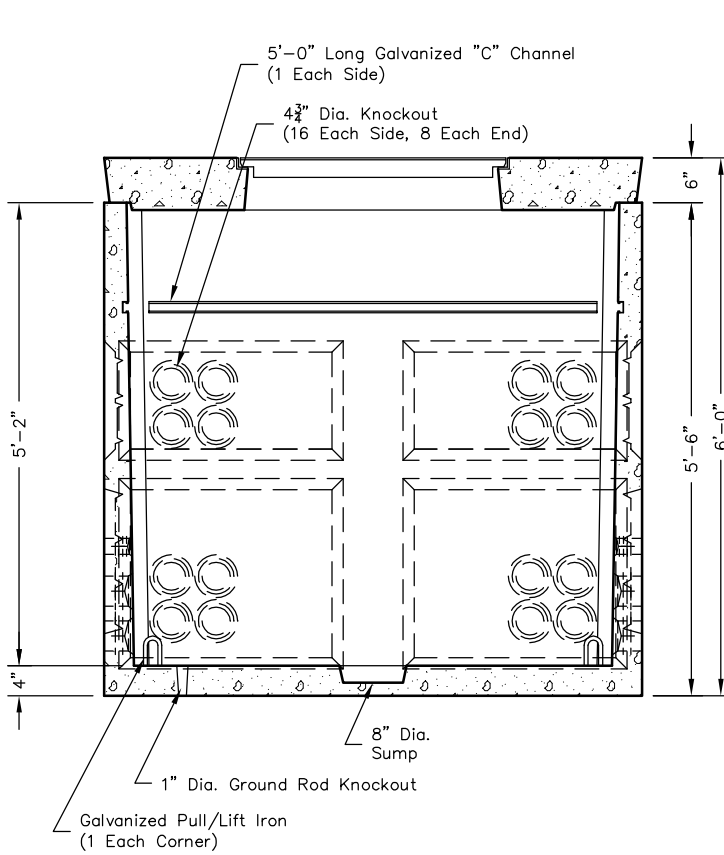
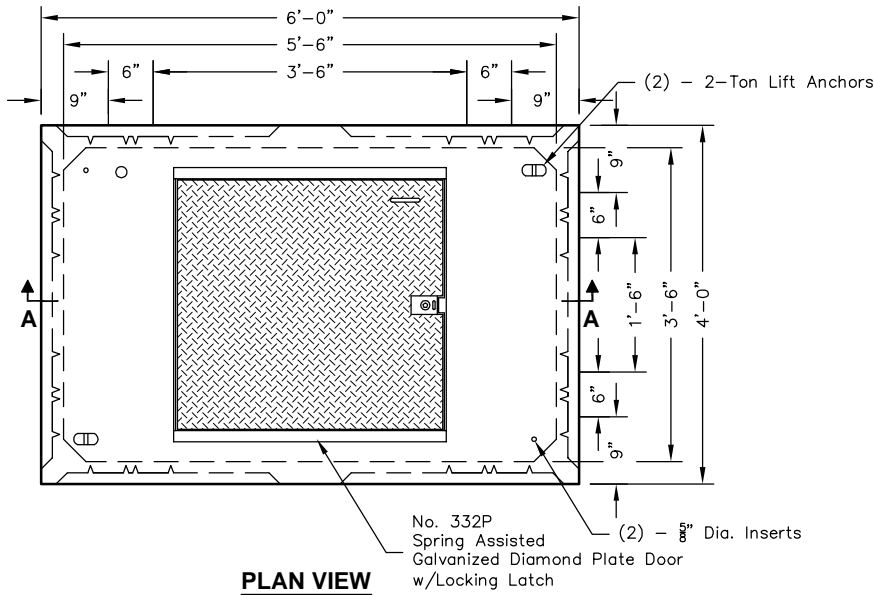


LOCKING GALV. STEEL DOORS
No. 64-352P
1,410 lbs.

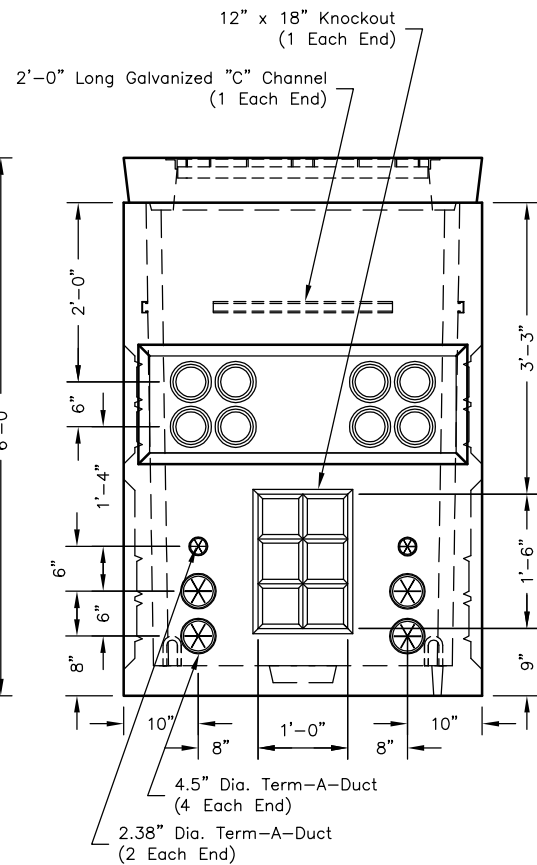
Note: Designed for 0 to 5'-0" of Cover

 <p>PO Box 323, Wilsonville, Oregon 97070-0323 Tel: (503) 682-2844 Fax: (503) 682-2657</p>	<h3>660-LA</h3>	<h3>660-LA</h3> <h3>3 x 5 x 5</h3> <h3>POWER / WATER / GAS</h3>
	File Name: 020-660LA	
	Issue Date: 2016	
	oldcastleprecast.com/wilsonville	


660-LA



SECTION AA



END VIEW

 Oldcastle Precast® PO Box 323, Wilsonville, Oregon 97070-0323 Tel: (503) 682-2844 Fax: (503) 682-2657	660-LA	660-LA 3 x 5 x 5 POWER / WATER / GAS
	File Name: 020-660LA	
	Issue Date: 2016	
	oldcastleprecast.com/wilsonville	