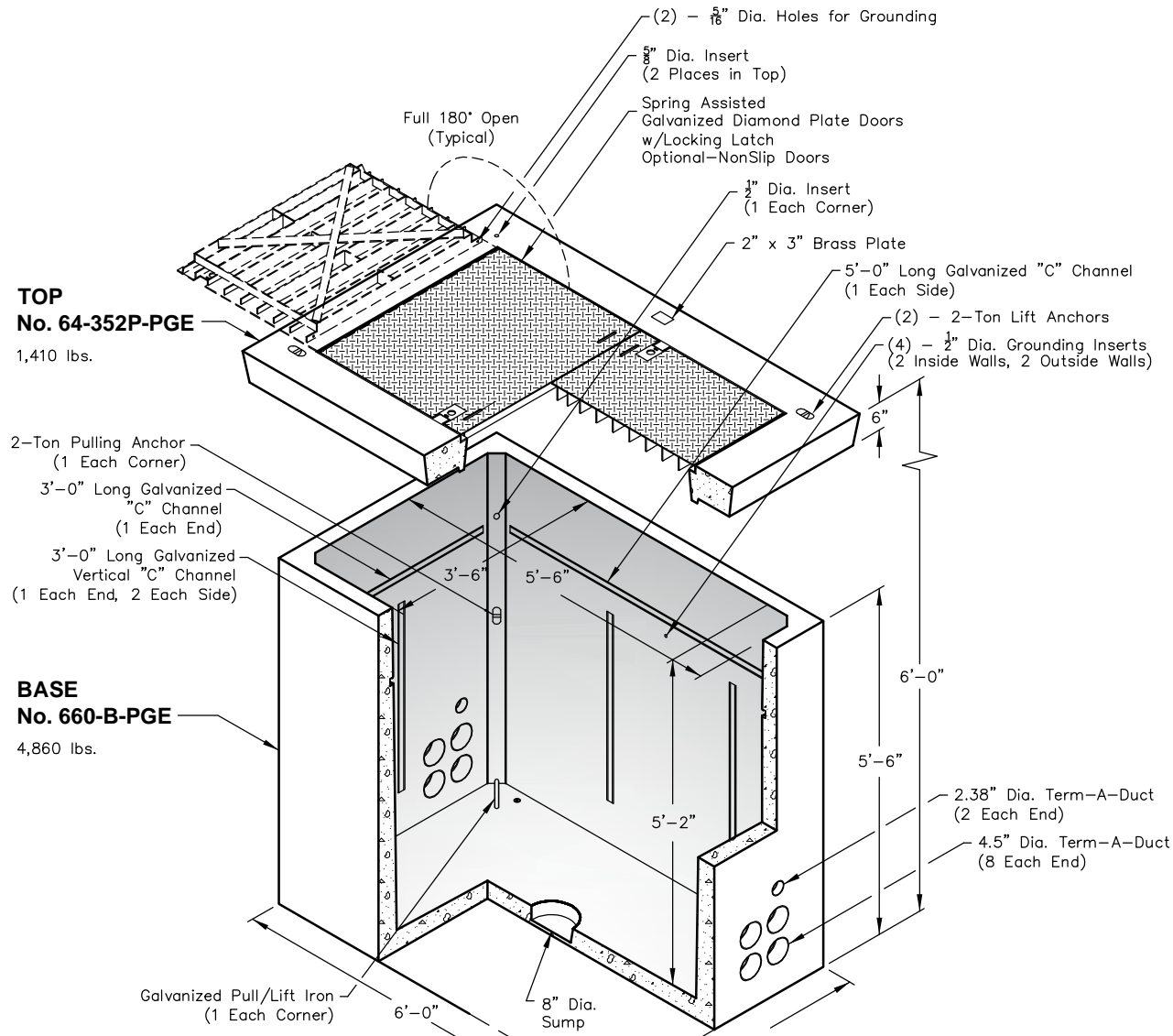
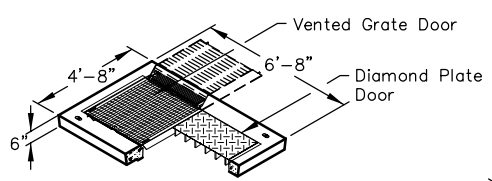


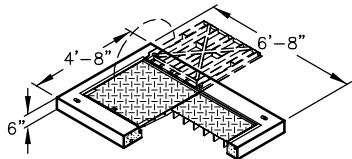
## Two & Three Phase Switch Vault with Primary Junction



### OPTIONAL TOPS

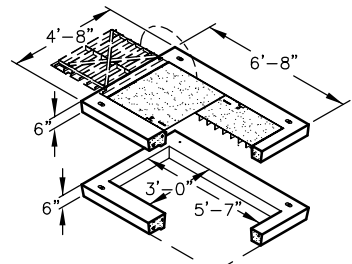


Top for Submersible Transformer Vault w/Primary Junction  
 No. 64-332P-332GV-PGE  
 1,410 lbs.



No. 64-2-332P-PGE  
 1,410 lbs.


ADJUSTABLE TOP SLAB  
 Allows for Future Grade Adjustments  
 LOCKING GALV. NONSLIP STEEL DOORS  
 No. 64-AT-352P-NS-PGE (Shown)  
 1,410 lbs.



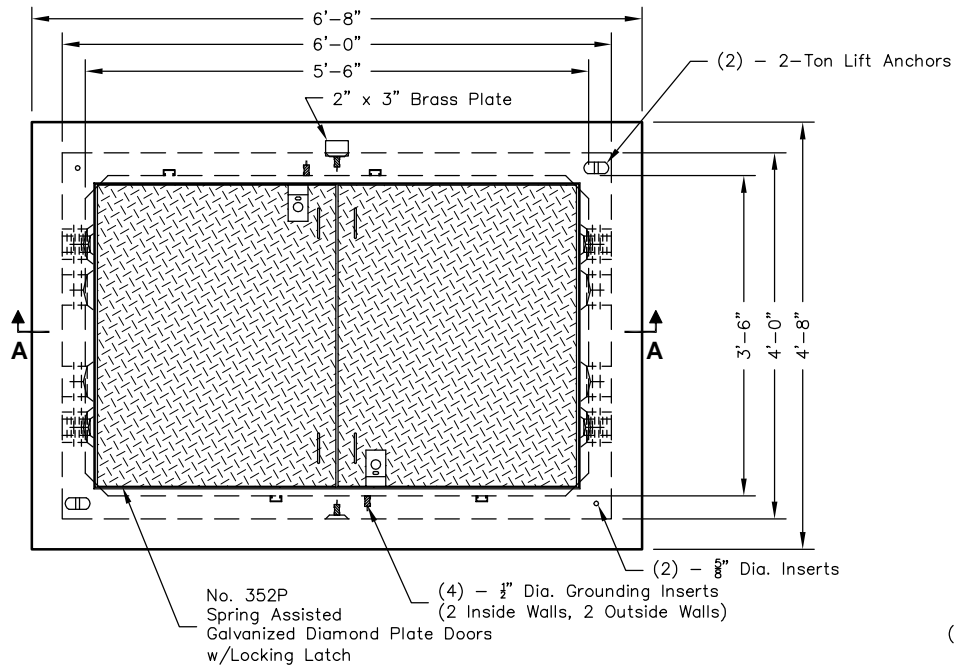
TOP  
 No. 64-3667  
 1,080 lbs.

Note: Designed for 0 to 5'-0" of Cover

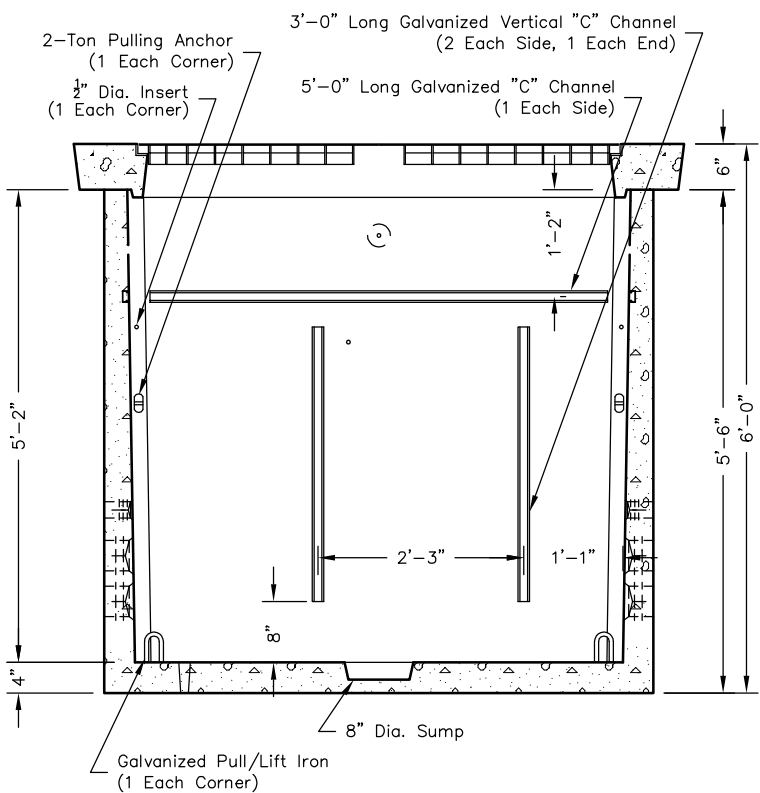
PGE L26100 1-5-12

 PO Box 323, Wilsonville, Oregon 97070-0323 Tel: (503) 682-2844 Fax: (503) 682-2657	<b>660-PGE</b>	<b>660-PGE</b> <b>48 x 72 x 72</b>
	File Name: 020-660PGE	
	Issue Date: 2018	
	<a href="http://oldcastleprecast.com/wilsonville">oldcastleprecast.com/wilsonville</a>	

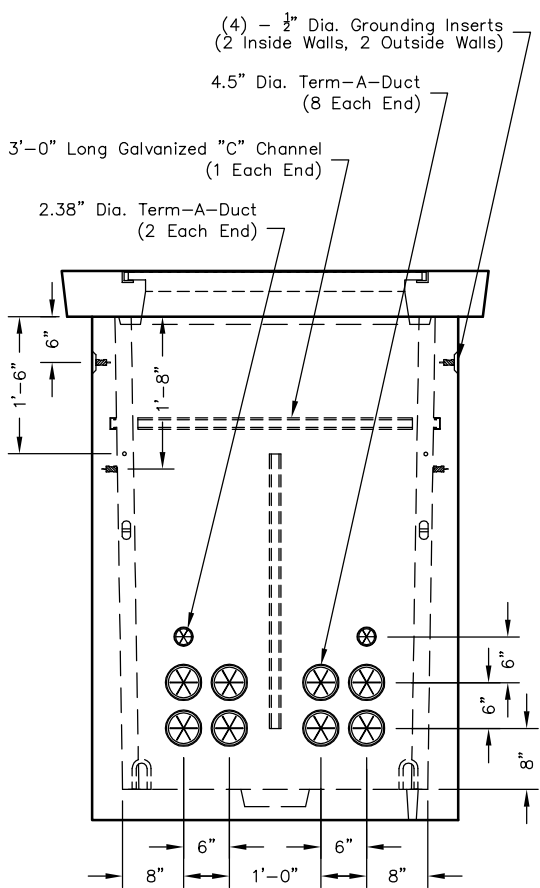
# 660-PGE



**PLAN VIEW**




**SECTION AA**



**END VIEW**

PGE L26100 1-5-12

 <p>PO Box 323, Wilsonville, Oregon 97070-0323 Tel: (503) 682-2844 Fax: (503) 682-2657</p>	<p><b>660-PGE</b></p>	<p><b>660-PGE</b> <b>48 x 72 x 72</b></p>
	File Name: 020-660PGE	
	Issue Date: 2018	
	<p><a href="http://oldcastleprecast.com/wilsonville">oldcastleprecast.com/wilsonville</a></p>	