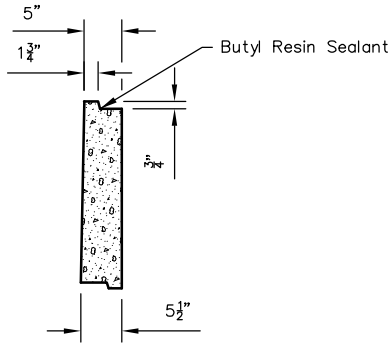
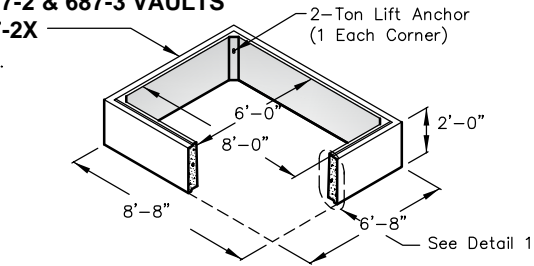


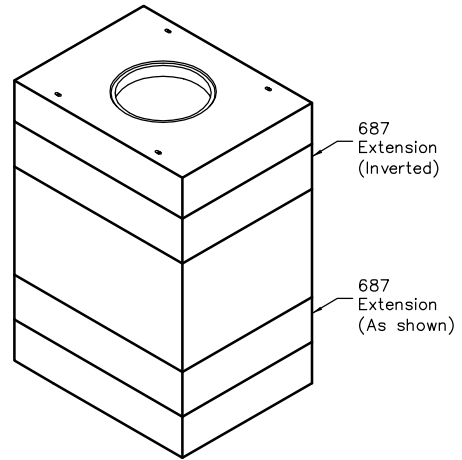
687 / 810 EXTENSIONS

24" EXTENSION FOR 687-2 & 687-3 VAULTS No. 687-2X

2,700 lbs.

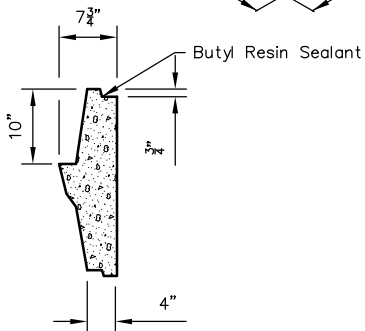
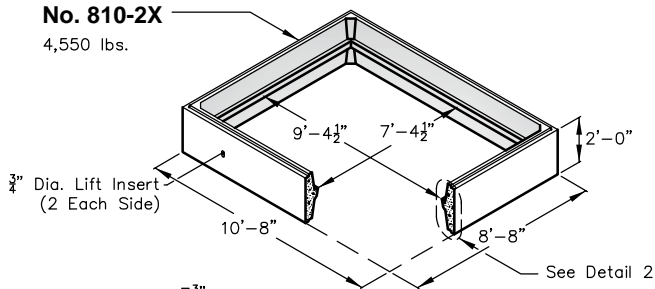


Detail 1

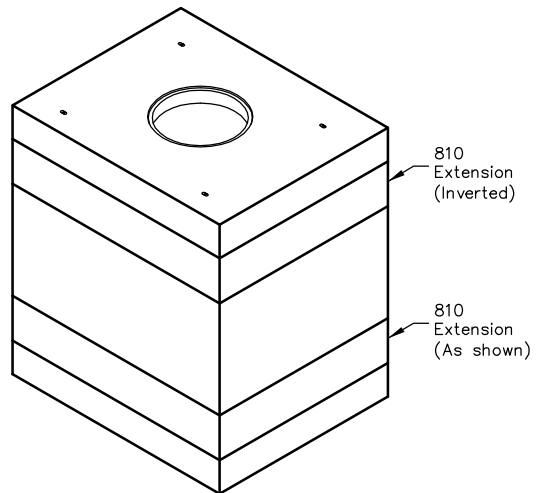


24" EXTENSION FOR 810 VAULT No. 810-2X

4,550 lbs.



Detail 2



Note:

- 687-2X & 810-2X may be placed between base and middle section and/or middle and top section.



PO Box 323, Wilsonville, Oregon 97070-0323
Tel: (503) 682-2844 Fax: (503) 682-2657

687/810 EXTENSIONS

File Name: 020-687-810X

Issue Date: 2016

oldcastleprecast.com/wilsonville

**687 2X EXTENSION
810 2X EXTENSION**