

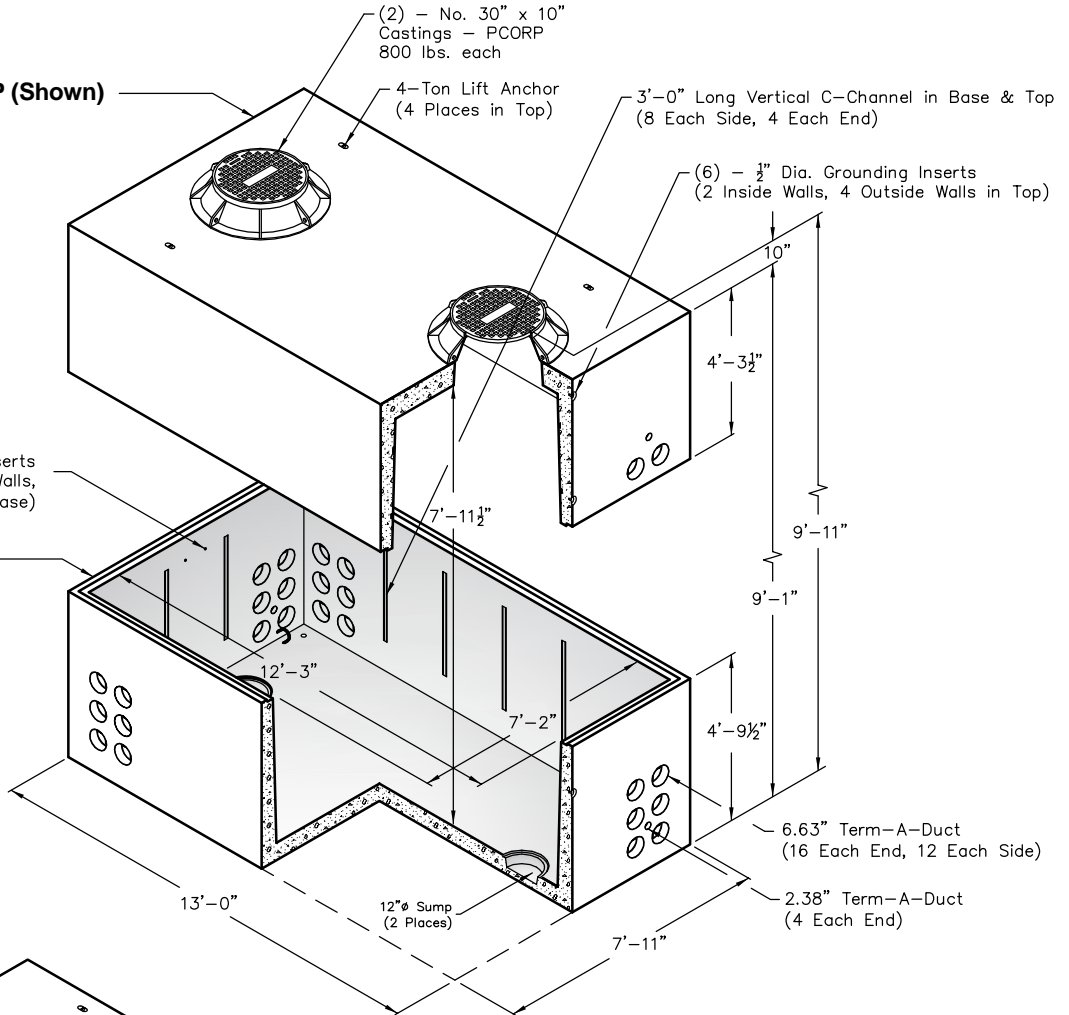
# 712-MH-PCORP

**7 x 12, Manhole Full Traffic Vault, Stock Item 7992596**  
**7 x 12, Manhole Incidental Traffic Vault, Stock Item 7992597**

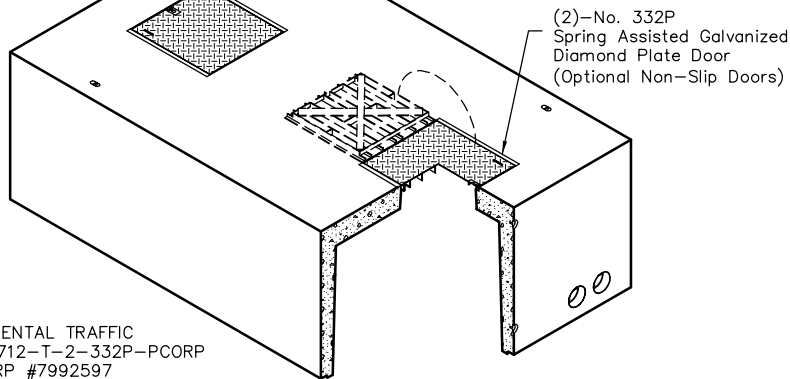
**TOP**  
**FULL TRAFFIC**  
**No. 712-T-38EE-PCORP (Shown)**  
 PCORP #7992596  
 18,415 lbs.

(6) - ½" Dia. Grounding Inserts  
 (4 Inside Walls,  
 2 Outside Walls in Base)

**BASE**  
**No. 712-B-PCORP**  
 18,070 lbs.




**OPTIONAL TOP**



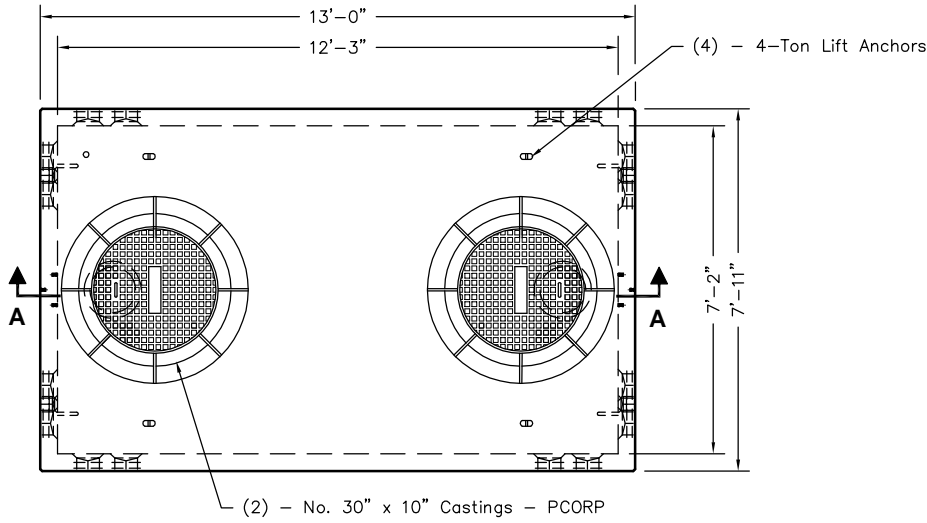
INCIDENTAL TRAFFIC  
 No. 712-T-2-332P-PCORP  
 PCORP #7992597  
 18,400 lbs.

Note: Designed for 0 to 5'-0" of Cover

PCORP ZG711 7-13-12
PCORP ZG701 5-8-12

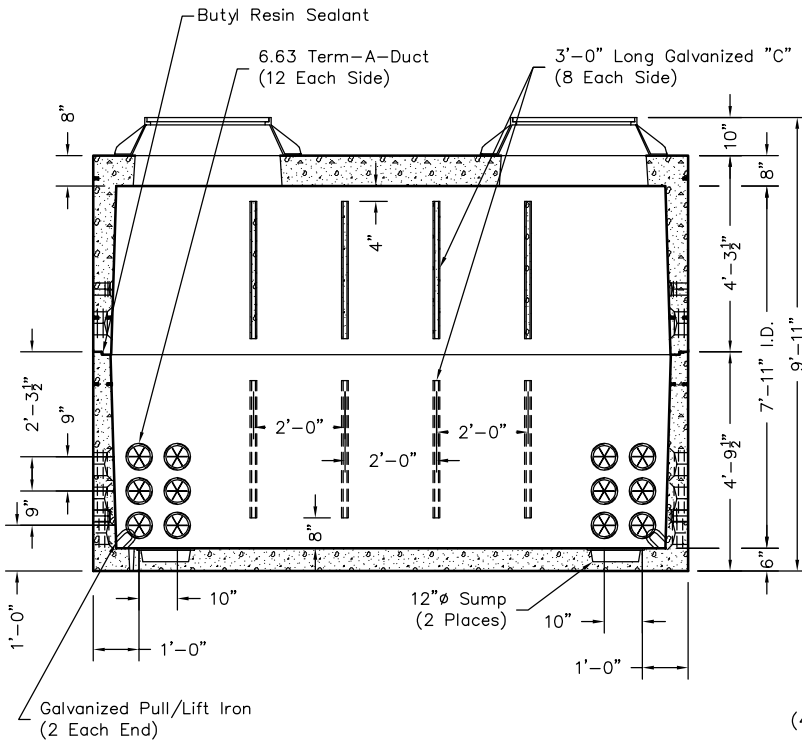
 PO Box 323, Wilsonville, Oregon 97070-0323 Tel: (503) 682-2844 Fax: (503) 682-2657	<b>712-MH-PCORP</b>	<b>712-MH-PCORP</b> <b>7 x 12</b> <b>PACIFICORP</b>
	File Name: 020-712-MH-PCORP	
	Issue Date: 2018	
	<a href="http://oldcastleprecast.com/wilsonville">oldcastleprecast.com/wilsonville</a>	

# 712-MH-PCORP

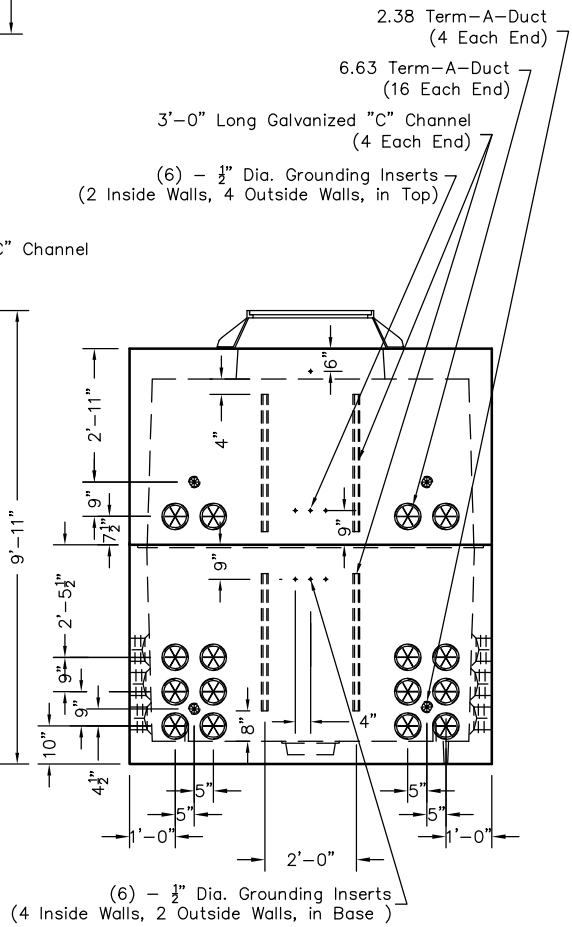


**PLAN VIEW**

No. 712-T-38EE-PCORP (FULL TRAFFIC TOP)  
PCORP #7992596



**SECTION AA**



**END VIEW**

PCORP ZG711 7-13-12  
PCORP ZG701 5-8-12



PO Box 323, Wilsonville, Oregon 97070-0323  
Tel: (503) 682-2844 Fax: (503) 682-2657

## 712-MH-PCORP

File Name: 020-712-MH-PCORP

Issue Date: 2018

[oldcastleprecast.com/wilsonville](http://oldcastleprecast.com/wilsonville)

## 712-MH-PCORP 7 x 12 PACIFICORP