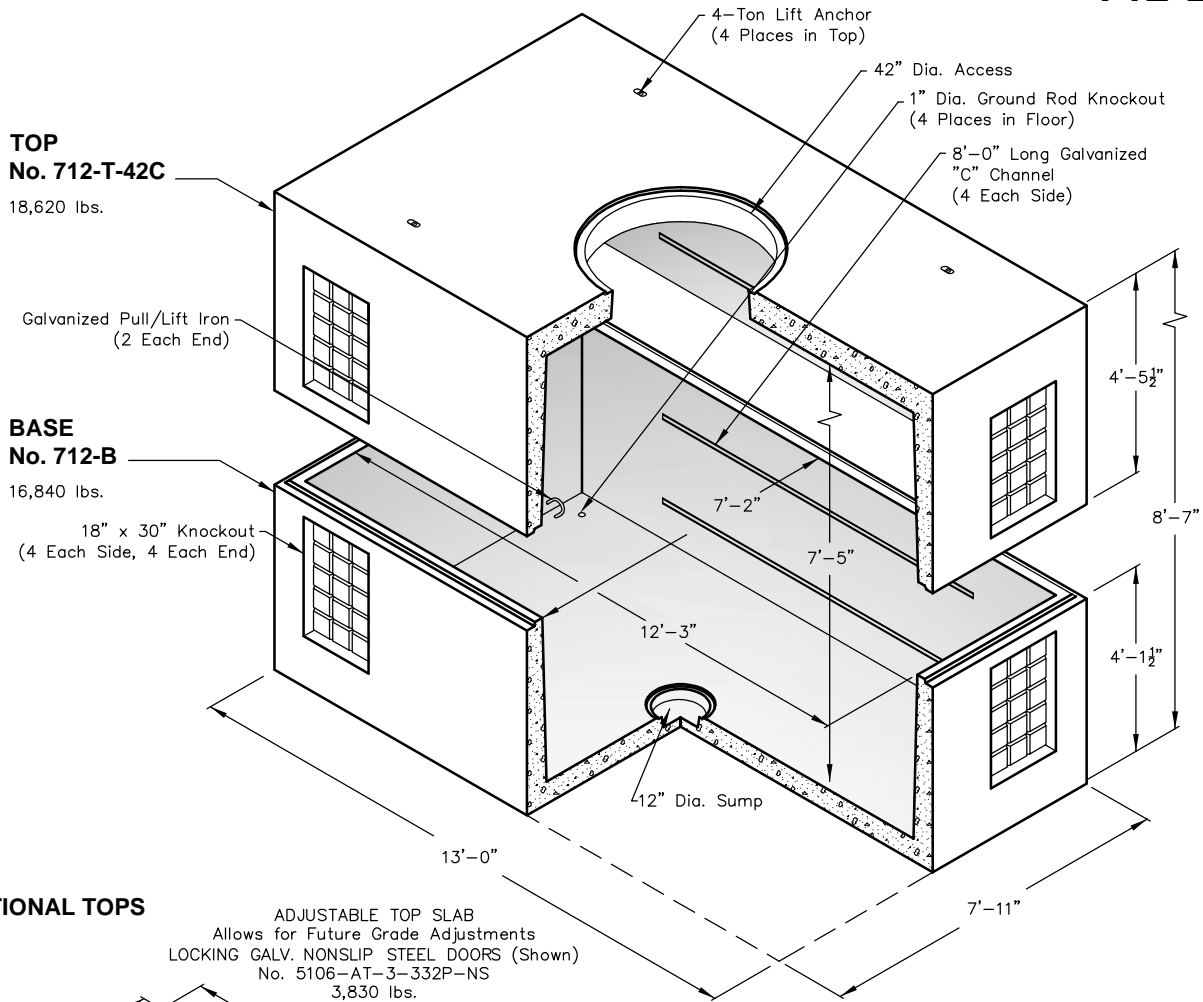
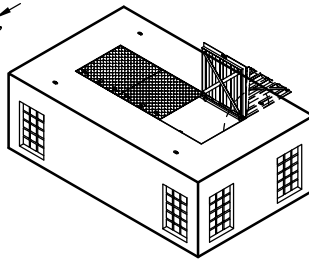
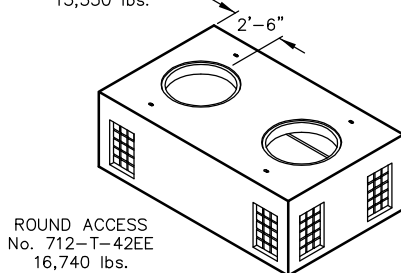
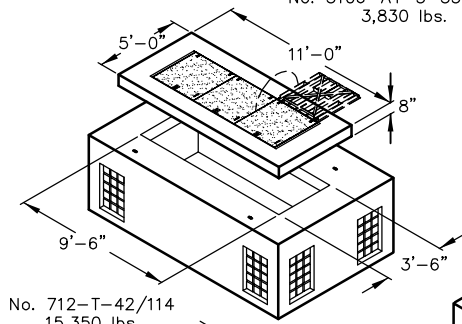


712-LA

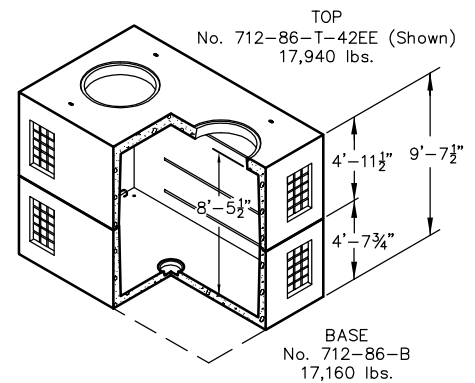


OPTIONAL TOPS

ADJUSTABLE TOP SLAB
Allows for Future Grade Adjustments
LOCKING GALV. NONSLIP STEEL DOORS (Shown)
No. 5106-AT-3-332P-NS
3,830 lbs.




OPTIONAL 8'-6" DEEP VAULT

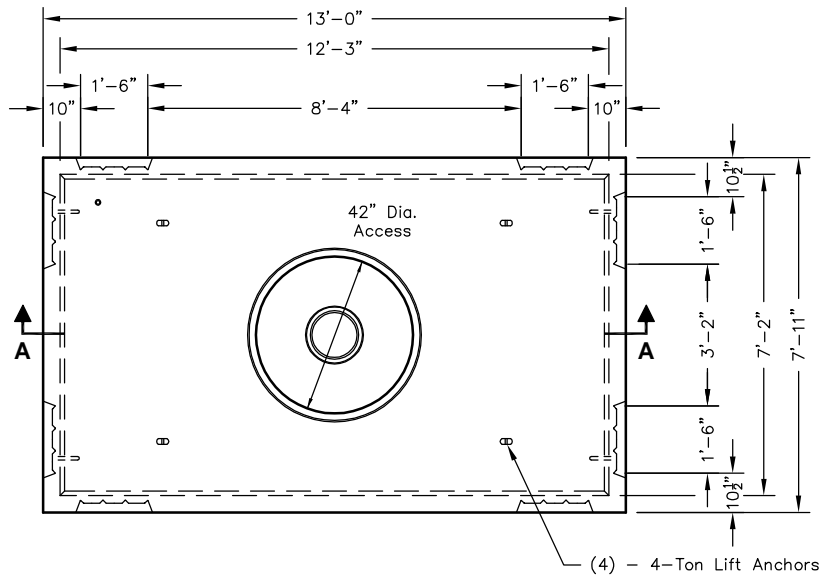


Note:
- Contractor is responsible for supplying crane to set and assemble 712 vaults.

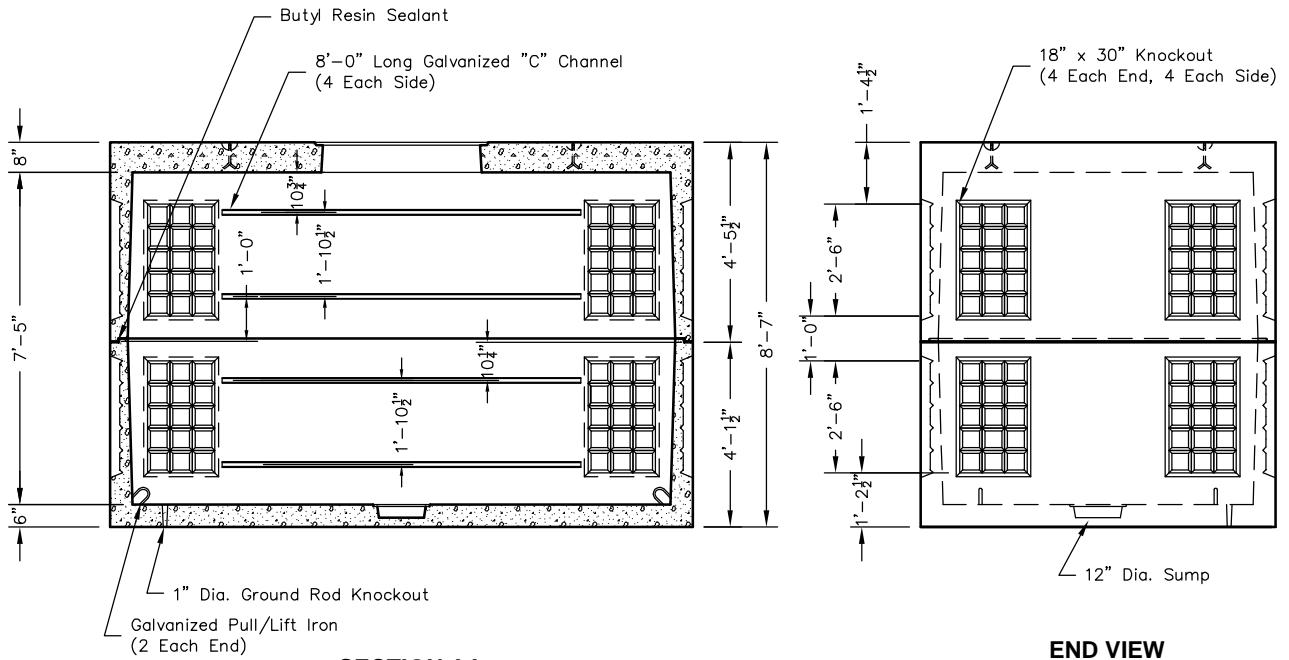
Note: Designed for 0 to 5'-0" of Cover


 Oldcastle Precast® PO Box 323, Wilsonville, Oregon 97070-0323 Tel: (503) 682-2844 Fax: (503) 682-2657	712-LA	712-LA 7 x 12 POWER / WATER / GAS
	File Name: 020-712LA	
	Issue Date: 2016	
	oldcastleprecast.com/wilsonville	

712-LA



PLAN VIEW



 <p>PO Box 323, Wilsonville, Oregon 97070-0323 Tel: (503) 682-2844 Fax: (503) 682-2657</p>	<h2>712-LA</h2>	<h2>712-LA</h2> <h3>7 x 12</h3> <h2>POWER / WATER / GAS</h2>
	File Name: 020-712LA	
	Issue Date: 2016	
	oldcastleprecast.com/wilsonville	