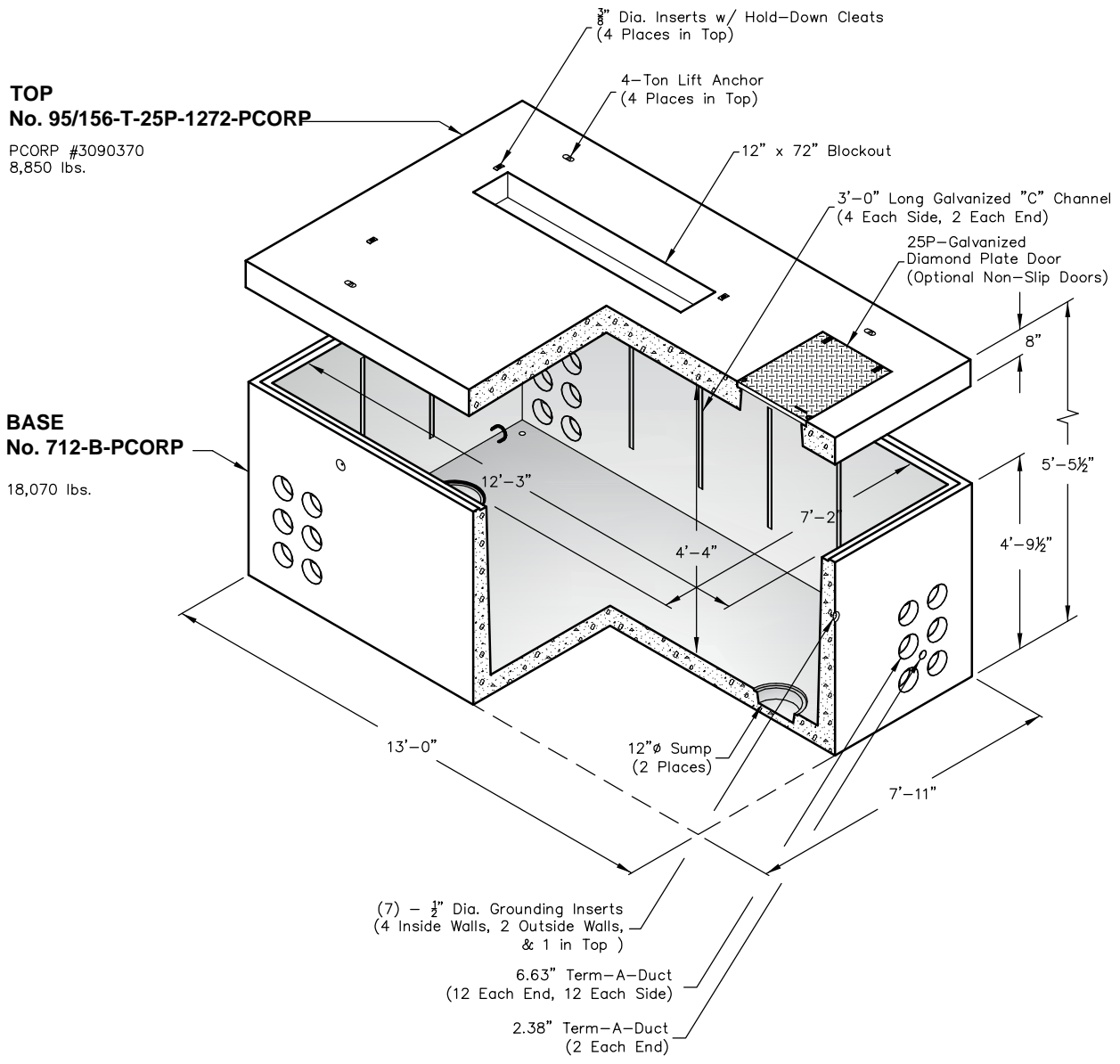



712-METER-PCORP

7 x 12, 15/25 kV, 600 Amp, 3-Phase Metering Cabinet Padvault, Stock Item 3090370

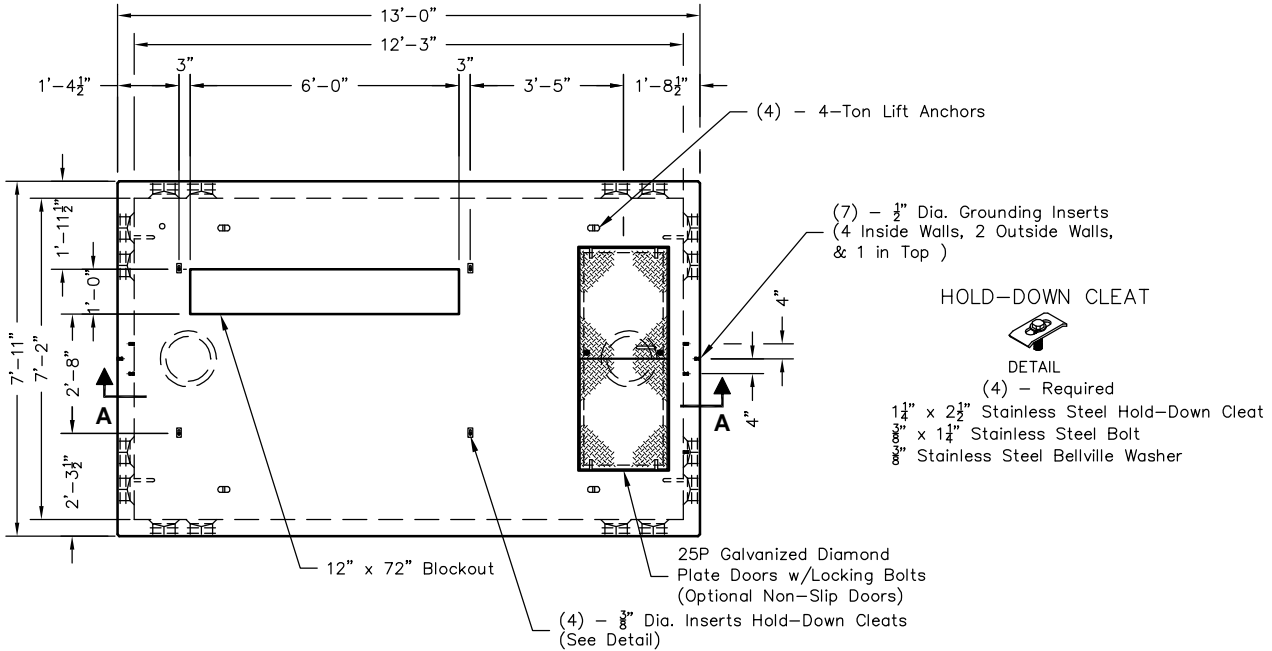


Note: Designed for 0 to 5'-0" of Cover

PCORP ZG571 11-26-07

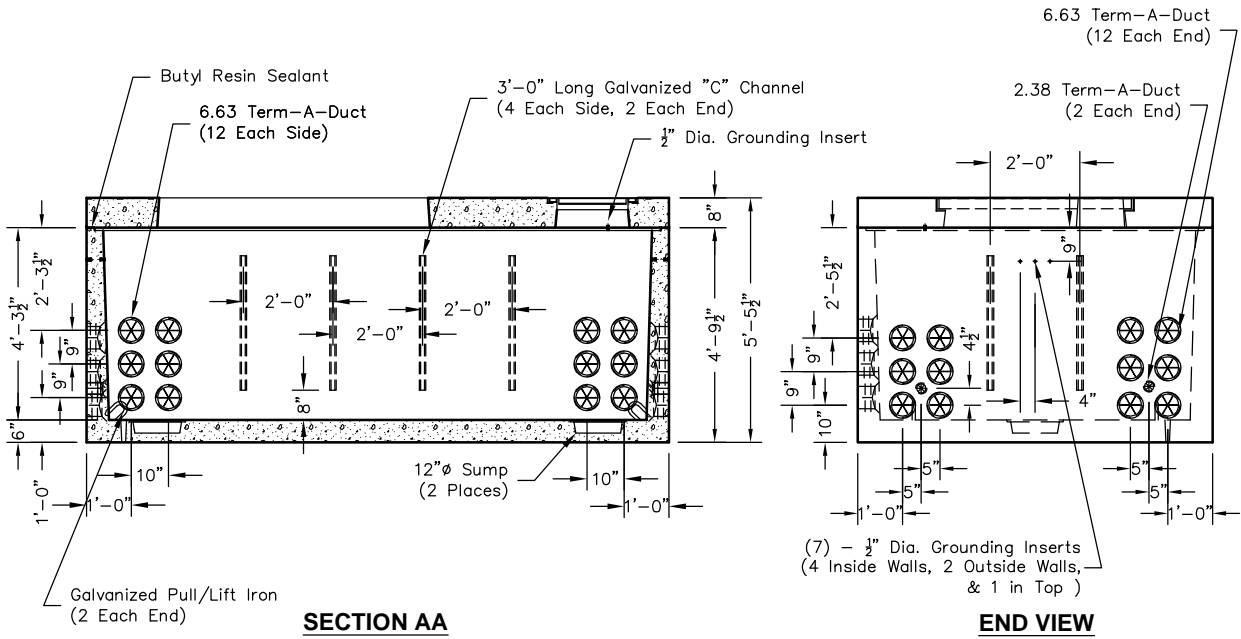
 PO Box 323, Wilsonville, Oregon 97070-0323 Tel: (503) 682-2844 Fax: (503) 682-2657	712-METER-PCORP	712-METER-PCORP 7 x 12 PACIFICORP
	File Name: 020-712METER-PCORP	
	Issue Date: 2016	
	oldcastleprecast.com/wilsonville	

712-METER-PCORP



PLAN VIEW

No. 95/156-T-25P-1272
 600 Amp, 3-PHASE PRIMARY METERING TOP
 PCORP #3090370



PCORP ZG571 11-26-07



PO Box 323, Wilsonville, Oregon 97070-0323
 Tel: (503) 682-2844 Fax: (503) 682-2657

712-METER-PCORP

File Name: 020-712METER-PCORP

Issue Date: 2016

oldcastleprecast.com/wilsonville

712-METER-PCORP

7 x 12
PACIFICORP