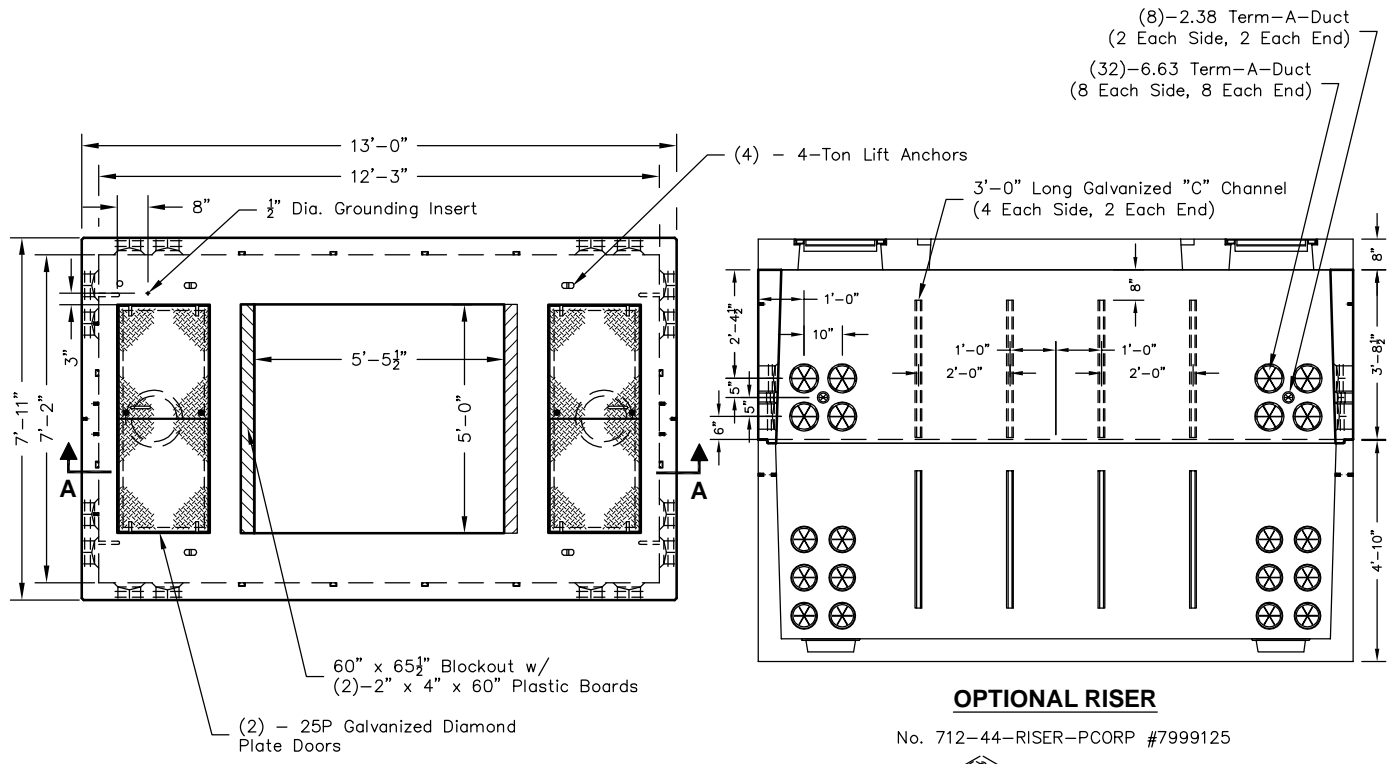


# 712-SWITCH-PCORP



## PLAN VIEW

No. 95/156-T-2-25P-6065  
 (15 kV, 600 AMP, PM9/11 SWITCHGEAR TOP)  
 PCORP #7992788

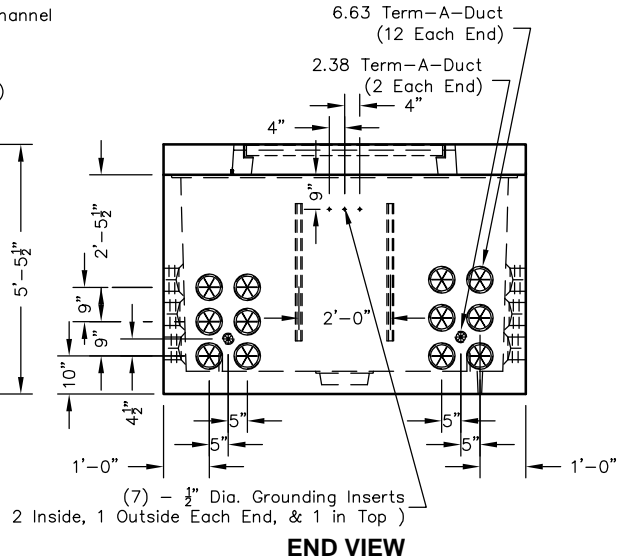
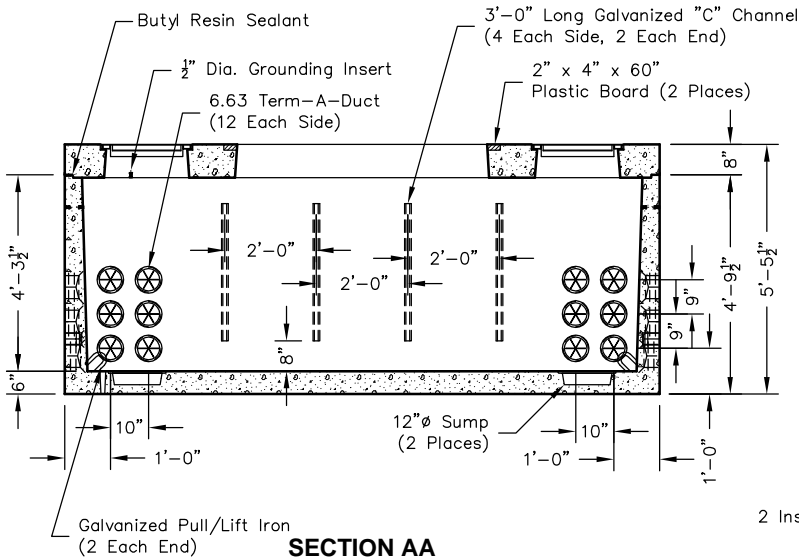
## OPTIONAL RISER

No. 712-44-RISER-PCORP #7999125



CABINET  
 HOLD-DOWN CLEAT  
 (4) - REQUIRED

1 1/2" x 2 1/2" Stainless Steel Hold-Down Cleat  
 1/2" x 2" Galvanized Lag Screw  
 3/4" Stainless Steel Belleville Washer



PCORP ZG715 7-13-12
PCORP ZG711 7-13-12
PCORP ZG562 6-14-12



PO Box 323, Wilsonville, Oregon 97070-0323  
 Tel: (503) 682-2844 Fax: (503) 682-2657

## 712-SWITCH-PCORP

File Name: 020-712SWITCH-PCORP

Issue Date: 2018

[oldcastleprecast.com/wilsonville](http://oldcastleprecast.com/wilsonville)

## 712-SWITCH-PCORP

7 x 12  
**PACIFICORP**