

# 72" MANHOLE

## FRAME AND COVER

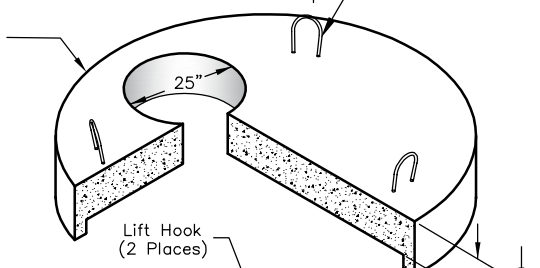
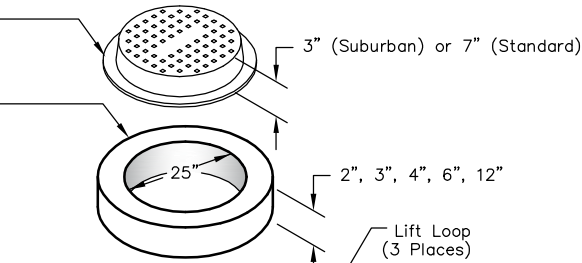
3" = 275 lbs.  
7" = 350 lbs.

## GRADE RING

2" = 80 lbs.  
3" = 120 lbs.  
4" = 165 lbs.  
6" = 245 lbs.  
12" = 490 lbs.

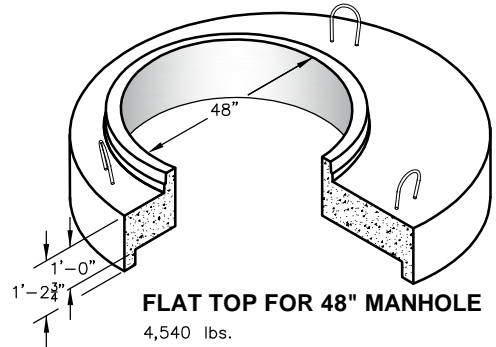
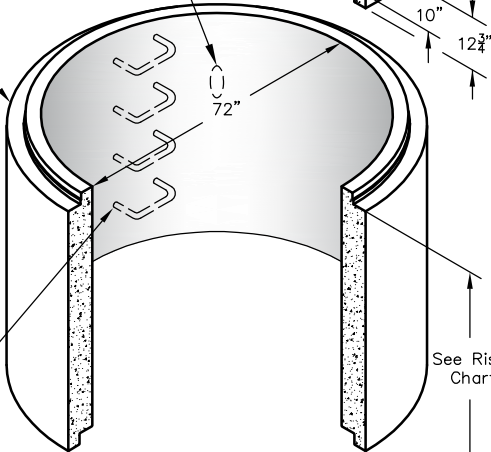
## FLAT TOP

(Other Hole Sizes and Configurations Available)  
4,860 lbs.



## RISER

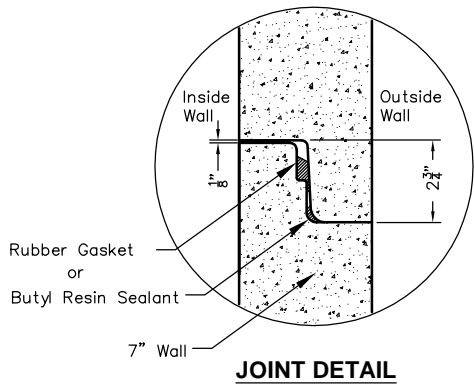
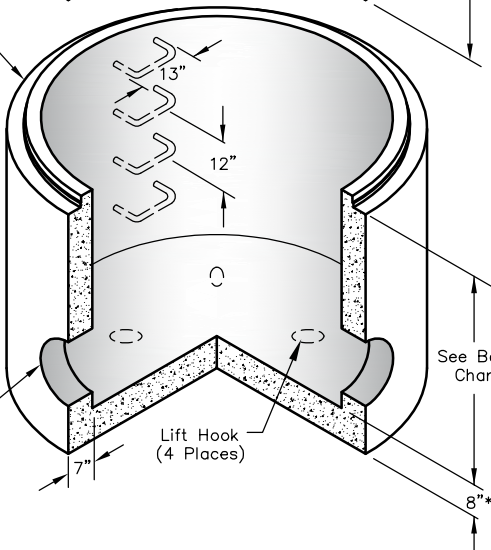
Outside Height	Weight
1'-0"	1,780 lbs.
2'-0"	3,590 lbs.
3'-0"	5,400 lbs.
4'-0"	7,210 lbs.
5'-0"	9,020 lbs.
6'-0"	10,830 lbs.
7'-0"	12,640 lbs.
8'-0"	14,450 lbs.



**FLAT TOP FOR 48" MANHOLE**  
4,540 lbs.

## BASE


Nominal Height	Weight*
2'-0"	7,800 lbs.
3'-0"	9,610 lbs.
4'-0"	11,420 lbs.
5'-0"	13,230 lbs.
6'-0"	15,040 lbs.



**JOINT DETAIL**

- Notes:
- Manholes per Specification: ASTM C478
  - Rubber Gasket: ASTM C443
  - Holes: Cored or Cast as Required.
  - Steps: Copolymer Polypropylene Plastic w/#4 Bar in Center.
  - Frame & Cover: Gray Cast Iron ASTM A48 Class 30, Watertight/Tamperproof Cover Available.
  - Optional Extended Base Available.

\*Weights Shown for 8" Thick Floor. Optional 12" Floor Available.

 <b>Oldcastle Precast®</b> PO Box 323, Wilsonville, Oregon 97070-0323 Tel: (503) 682-2844 Fax: (503) 682-2657	<b>72" MANHOLE</b>	<b>72" MANHOLE</b>
	File Name: 020-72MH	
	Issue Date: 2016	
	<a href="http://oldcastleprecast.com/wilsonville">oldcastleprecast.com/wilsonville</a>	