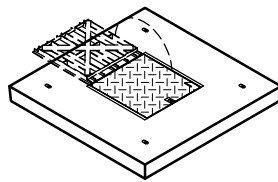
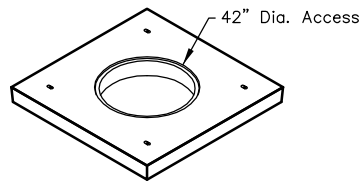


OPTIONAL TOPS

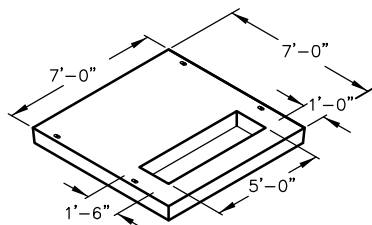


LOCKING GALV. STEEL DOOR
No. 77-8-T-332P
4,540 lbs.

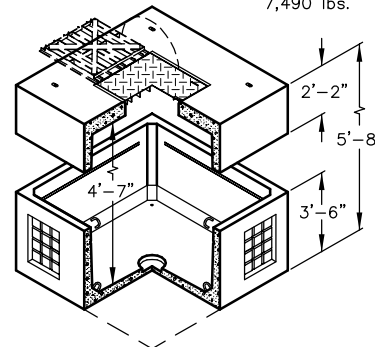


ROUND ACCESS
No. 77-8-T-42C
4,310 lbs.


LOCKING GALV. STEEL DOOR
No. 77-26-T-332P (Shown)
7,490 lbs.



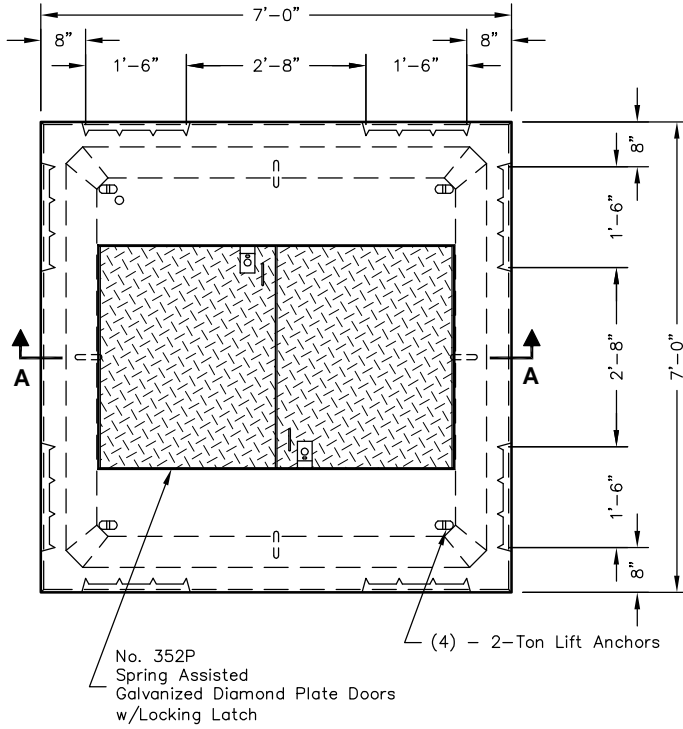
PADMOUNT TOP
No. 77-8-T-1860 (Shown)
4,540 lbs.



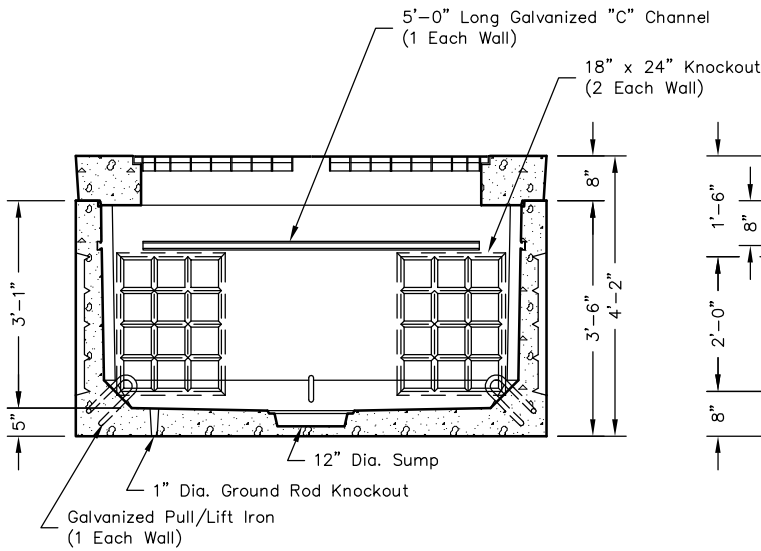
Note: Designed for 0 to 5'-0" of Cover

| | | |
|-----------------------------------------------------------------------------------------------------------------------------------------------------------------------------------|----------------------------------------------------------------------------------------|-----------------------------------------------------------------|
|  <p>PO Box 323, Wilsonville, Oregon 97070-0323 Tel: (503) 682-2844 Fax: (503) 682-2657</p> | <h2>774-LA</h2> | <h2>774-LA</h2> <h3>6 x 6 x 3</h3> <h3>POWER / WATER / GAS</h3> |
| | File Name: 020-774LA | |
| | Issue Date: 2016 | |
| | oldcastleprecast.com/wilsonville | |

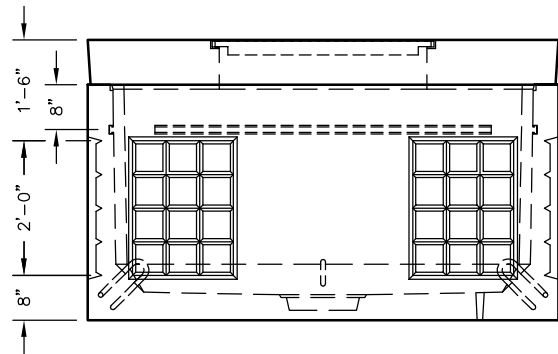
774-LA



PLAN VIEW



SECTION AA



SIDE VIEW



PO Box 323, Wilsonville, Oregon 97070-0323
Tel: (503) 682-2844 Fax: (503) 682-2657

774-LA

File Name: 020-774LA

Issue Date: 2016

oldcastleprecast.com/wilsonville

774-LA
6 x 6 x 3
POWER / WATER / GAS