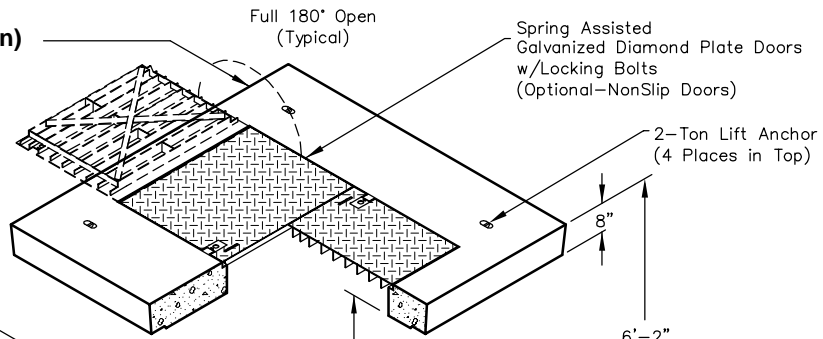


# 776-MH-PCORP

7 x 7, Manhole Incidental Traffic Vault, Stock Item 7992594  
 7 x 7, Manhole Full Traffic Vault, Stock Item 7992595

**TOP**  
**INCIDENTAL TRAFFIC**  
**No. 77-8-T-352P-PCORP (Shown)**

PCORP #7992594  
 3,830 lbs.

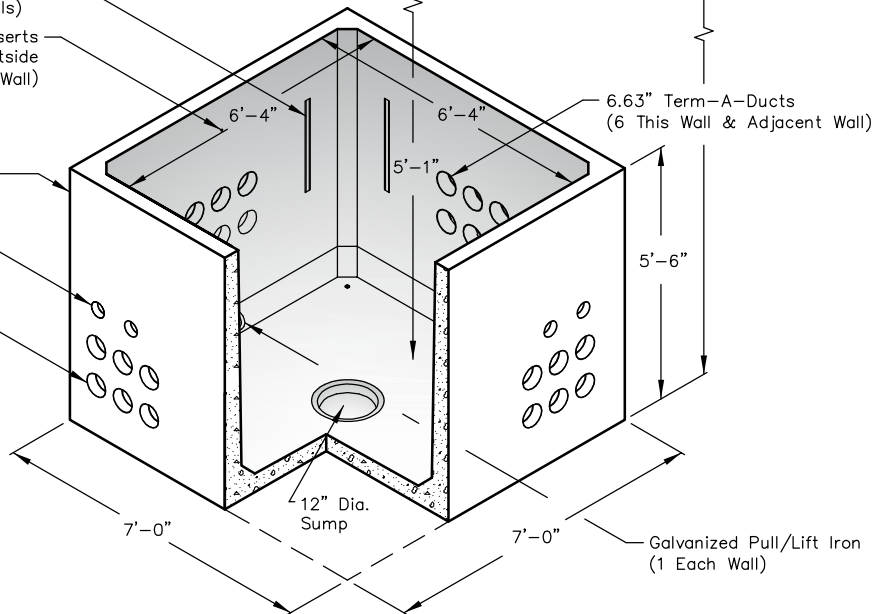


2'-0" Long Galvanized Vertical "C" Channel (2 Each 2 Walls & 1 Each 2 Walls)  
 (6) - 1/2" Dia. Grounding Inserts (2 Inside, 1 Outside This Wall & Opposite Wall)

**BASE**  
**No. 776-66-B-PCORP**

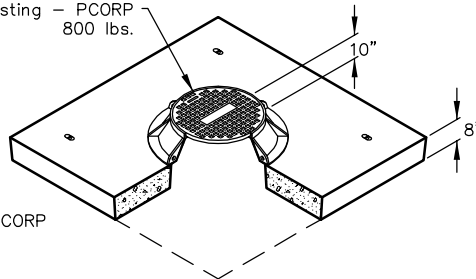
10,420 lbs.

2.38" Term-A-Ducts (2 This Wall & Adjacent Wall)  
 6.63" Term-A-Ducts (6 This Wall & Adjacent Wall)



**OPTIONAL TOP**


No. 30" x 10" Casting - PCORP  
 800 lbs.



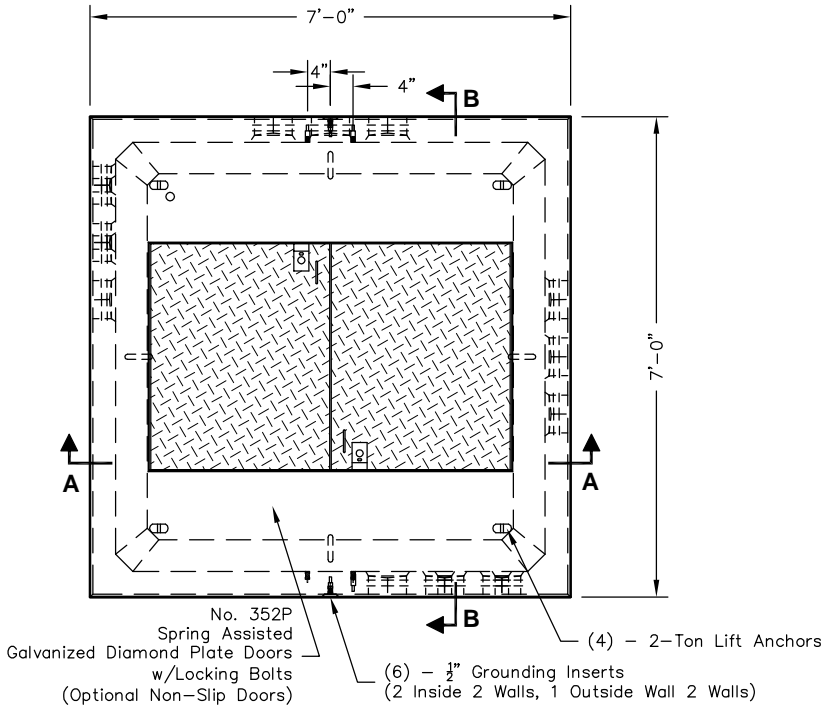
FULL TRAFFIC  
 No. 77-8-T-38C-PCORP  
 PCORP #7992595  
 4,450 lbs.

Note: Designed for 0 to 5'-0" of Cover

PCORP ZG631 11-1-13

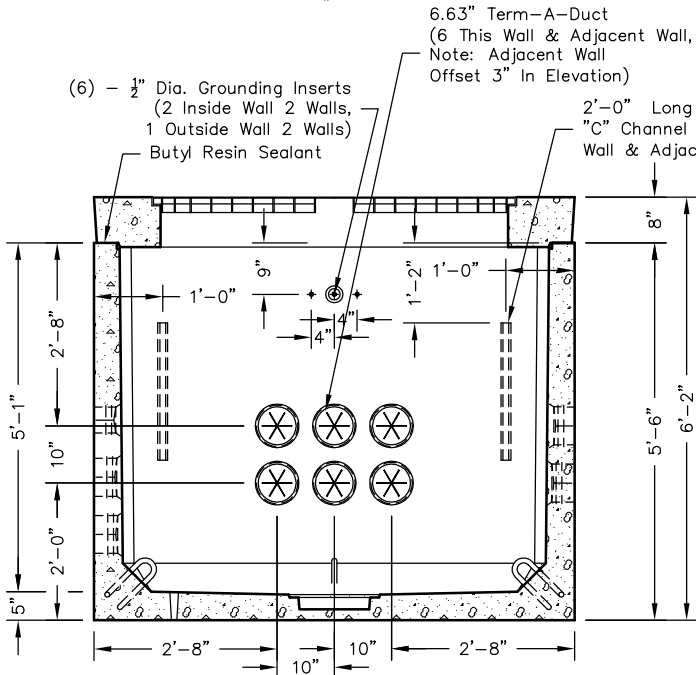
 PO Box 323, Wilsonville, Oregon 97070-0323 Tel: (503) 682-2844 Fax: (503) 682-2657	<b>776-MH-PCORP</b>	<b>776-MH-PCORP</b> <b>7 x 7</b> <b>PACIFICORP</b>
	File Name: 020-776-MH-PCORP	
	Issue Date: 2018	
	<a href="http://oldcastleprecast.com/wilsonville">oldcastleprecast.com/wilsonville</a>	

# 776-MH-PCORP

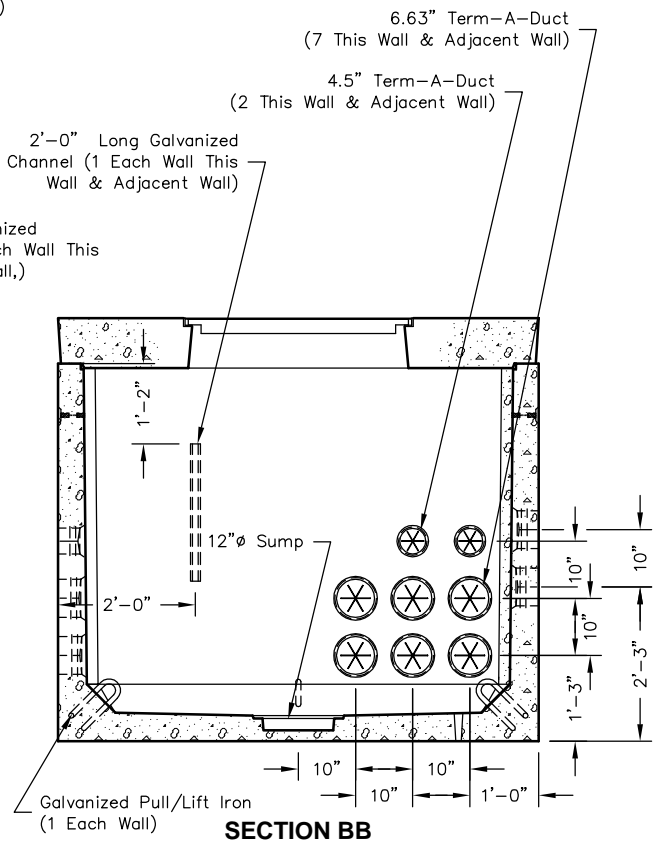


**PLAN VIEW**

No. 77-8-T-352P-PCORP (INCIDENTAL TRAFFIC TOP)  
PCORP #7992594




**SECTION AA**



**SECTION BB**

PCORP ZG 631 11-1-13

 <p>PO Box 323, Wilsonville, Oregon 97070-0323 Tel: (503) 682-2844 Fax: (503) 682-2657</p>	<p><b>776-MH-PCORP</b></p>	<p><b>776-MH-PCORP</b> <b>7 x 7</b> <b>PACIFICORP</b></p>
	<p>File Name: 020-776-MH-PCORP</p>	
	<p>Issue Date: 2018</p>	
	<p><a href="http://oldcastleprecast.com/wilsonville">oldcastleprecast.com/wilsonville</a></p>	