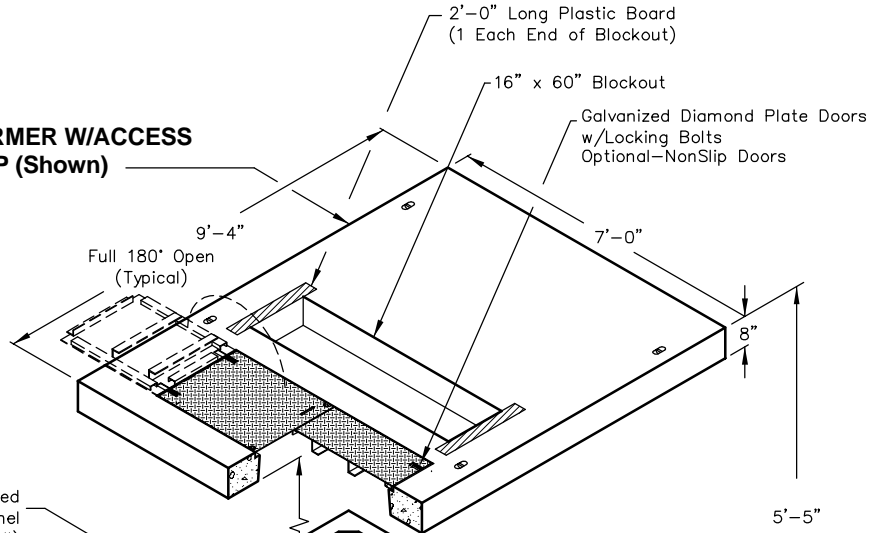


# 776-TRANS-PCORP

7 x 7, 4-25 kV, 3-Phase 1000-2500 kVA Transformer Padvault Stock Item 7992958  
 7 x 7, 35 kV, 3-Phase 1000-2500 kVA Transformer Padvault Stock Item 7992959

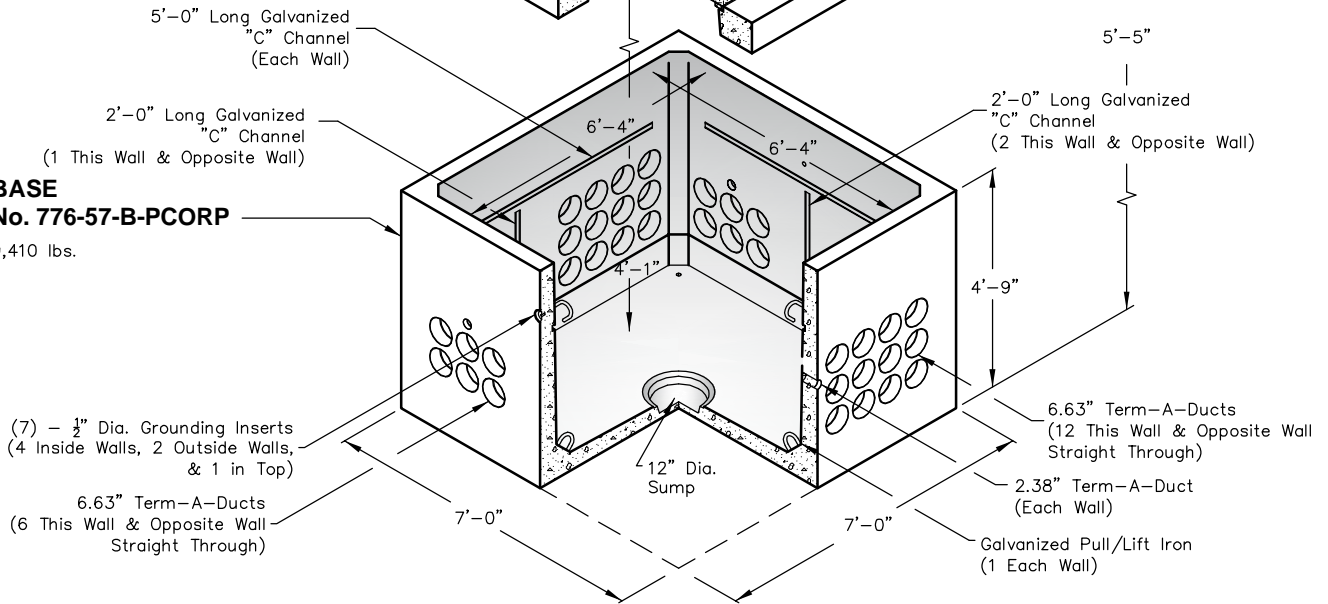
**TOP**  
**4-25 kV, 3-PHASE TRANSFORMER W/ACCESS**  
**No. 84/112-T-25P-1660-PCORP (Shown)**

PCORP #7992958  
 5,225 lbs.



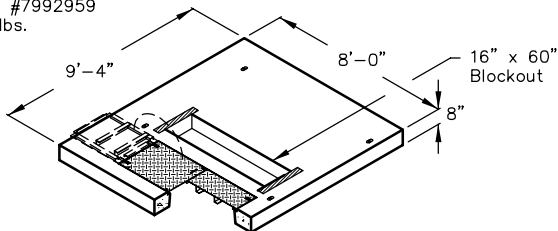
**BASE**  
**No. 776-57-B-PCORP**

9,410 lbs.



**OPTIONAL TOP**

35 kV, 3 PHASE 1000-2500 TRANSFORMER W/ACCESS  
 No. 96/112-T-25P-1660-PCORP  
 PCORP #7992959  
 6,160 lbs.




CABINET  
 HOLD-DOWN CLEAT  
 (2) - REQUIRED

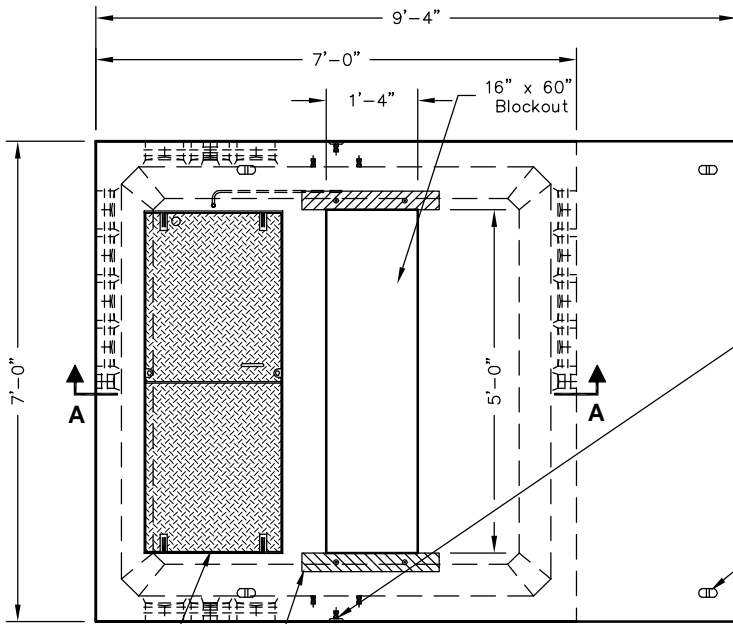
1 1/4" x 2 1/2" Stainless Steel Hold-Down Cleat  
 1/2" x 2" Galvanized Lag Screw  
 1/2" Stainless Steel Belleville Washer

|                     |
|---------------------|
| PCORP ZG641 4-3-13  |
| PCORP ZG521 6-13-13 |

Note: Designed for 0 to 5'-0" of Cover

|  |  |   |
|--|--|---|
| <br>PO Box 323, Wilsonville, Oregon 97070-0323<br>Tel: (503) 682-2844 Fax: (503) 682-2657 | <b>776-TRANS-PCORP</b>   | <b>776-TRANS-PCORP</b><br><b>7 x 7</b><br><b>PACIFICORP</b> |
|  | File Name: 020-776-TRANS-PCORP   |   |
|  | Issue Date: 2018   |   |
|  | <a href="http://oldcastleprecast.com/wilsonville">oldcastleprecast.com/wilsonville</a> |   |

# 776-TRANS-PCORP



CABINET  
HOLD-DOWN CLEAT  
(2) - REQUIRED

1 1/4" x 2 1/2" Stainless Steel Hold-Down Cleat  
1/2" x 2" Galvanized Lag Screw  
1/2" Stainless Steel Belleville Washer

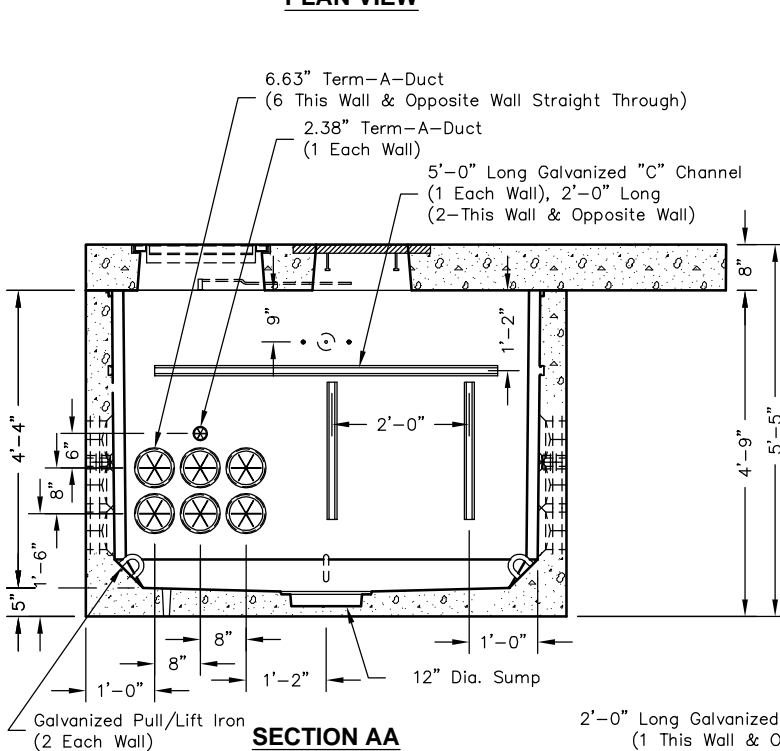
(7) - 1/2" Grounding Inserts  
(4 Inside Walls, 2 Outside Walls, & 1 in Top)

(4) - 2-Ton Lift Anchors (Typical)

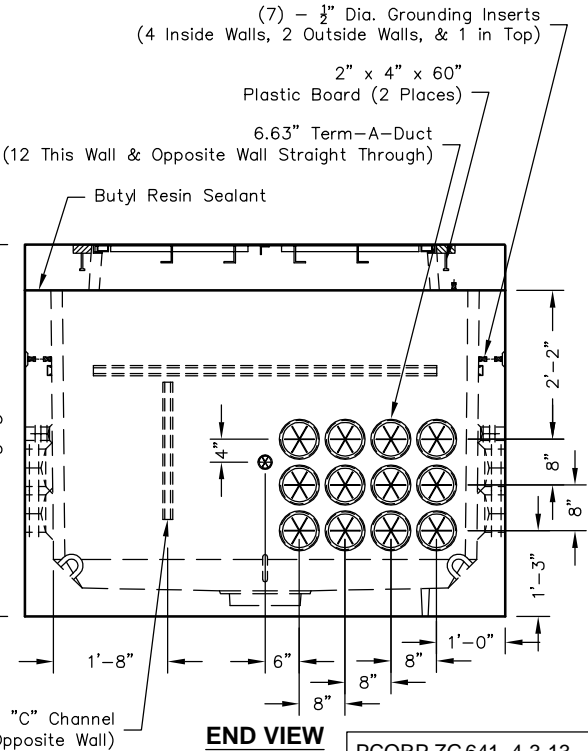
(2) - 2" x 4" x 24" Plastic Boards

No. 25P Galvanized Diamond Plate Doors  
w/Locking Bolts (Typical)  
PCORP #7992958

**PLAN VIEW**



**SECTION AA**



**END VIEW**

|                     |
|---------------------|
| PCORP ZG641 4-3-13  |
| PCORP ZG521 6-13-13 |

PO Box 323, Wilsonville, Oregon 97070-0323  
Tel: (503) 682-2844 Fax: (503) 682-2657

**776-TRANS-PCORP**  
File Name: 020-776-TRANS-PCORP  
Issue Date: 2018  
[oldcastleprecast.com/wilsonville](http://oldcastleprecast.com/wilsonville)

**776-TRANS-PCORP**  
**7 x 7**  
**PACIFICORP**