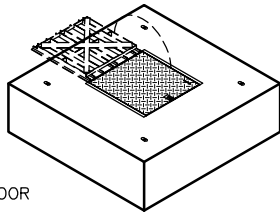
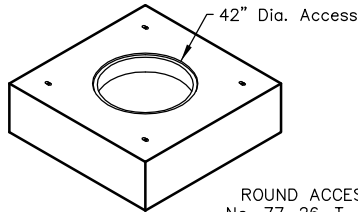


OPTIONAL TOPS




LOCKING GALV. STEEL DOOR
No. 77-26-T-332P
7,490 lbs.

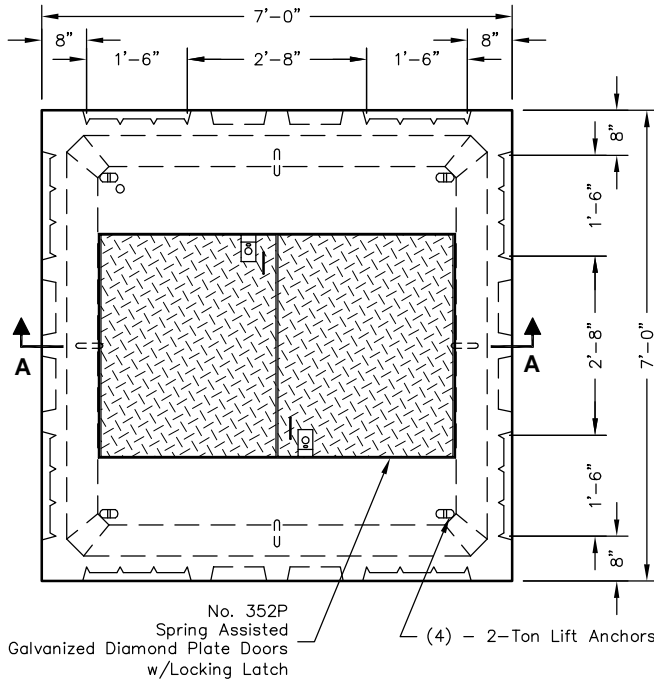


ROUND ACCESS
No. 77-26-T-42C
7,160 lbs.

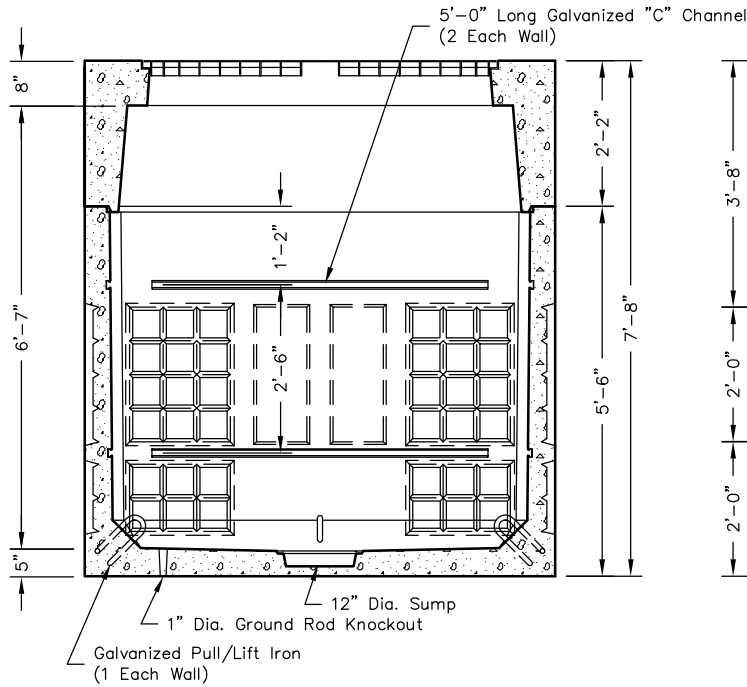
Note: Designed for 0 to 5'-0" of Cover

 <p>PO Box 323, Wilsonville, Oregon 97070-0323 Tel: (503) 682-2844 Fax: (503) 682-2657</p>	<p>776-LA-7</p>	<p>776-LA-7 6 x 6 x 7 POWER / WATER / GAS</p>
	File Name: 020-776LA7	
	Issue Date: 2016	
	oldcastleprecast.com/wilsonville	

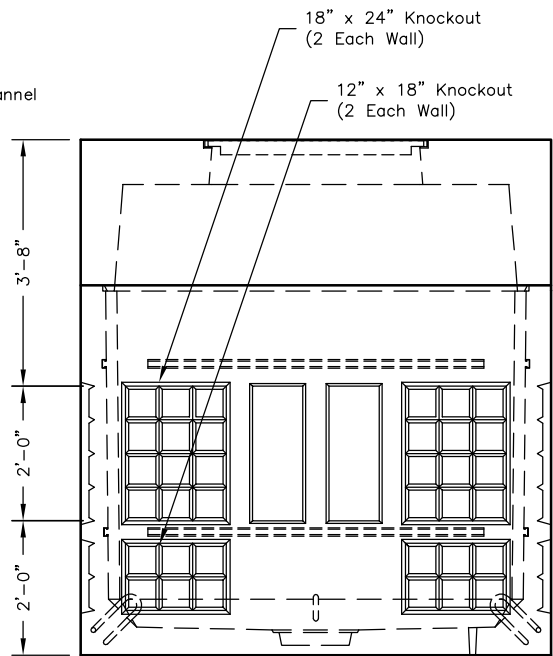
776-LA-7



PLAN VIEW



SECTION AA



SIDE VIEW



PO Box 323, Wilsonville, Oregon 97070-0323
 Tel: (503) 682-2844 Fax: (503) 682-2657

776-LA-7

File Name: 020-776LA7

Issue Date: 2016

oldcastleprecast.com/wilsonville

776-LA-7
6 x 6
POWER / WATER / GAS